



# Jeep®

Jeep, the Jeep grille and related logos, vehicle model names and trade dress are trademarks of Chrysler Group LLC and used under license by Cobi.  
©2014 Chrysler Group LLC.



[WWW.COBI.EU](http://WWW.COBI.EU)

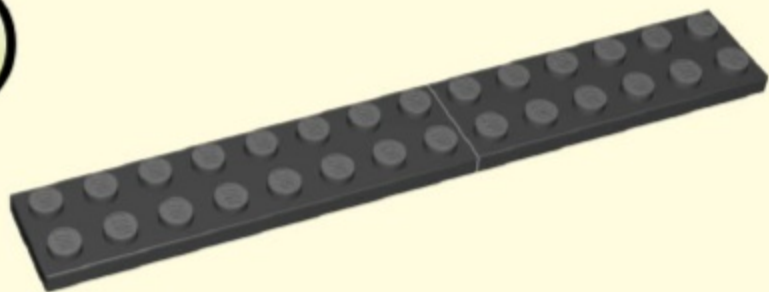


Printed in EU



**WARNING: CHOKING HAZARD-**  
Toy contains small parts.  
Not for children under 3 years.

1

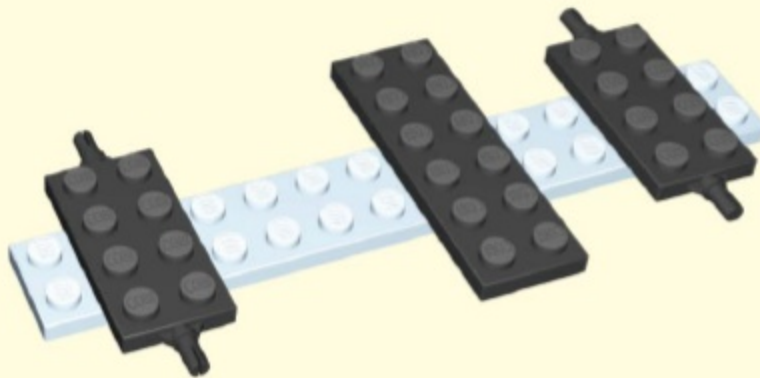


x1



x1

2

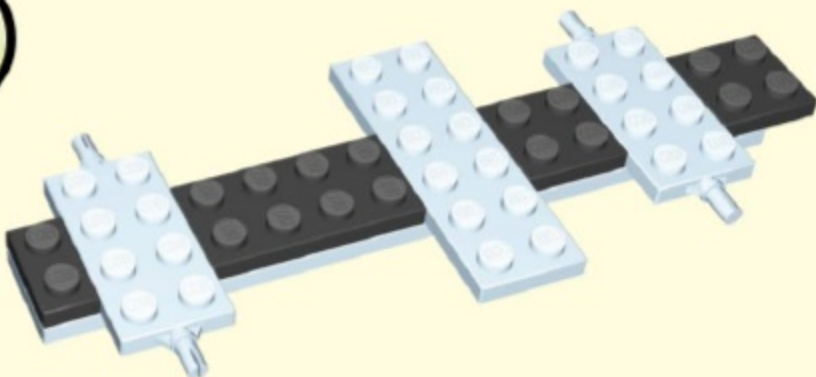


x2



x1

3



x1

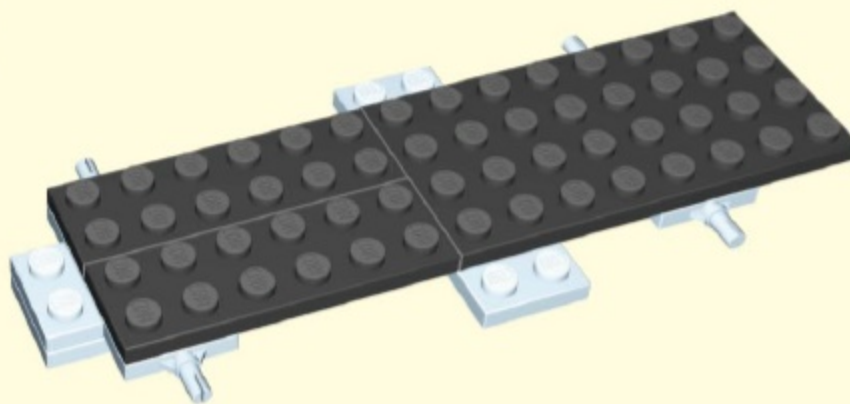


x1

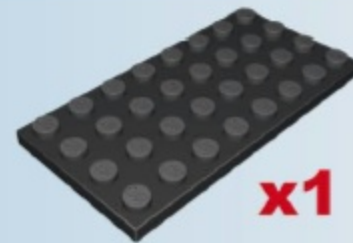


x2

4

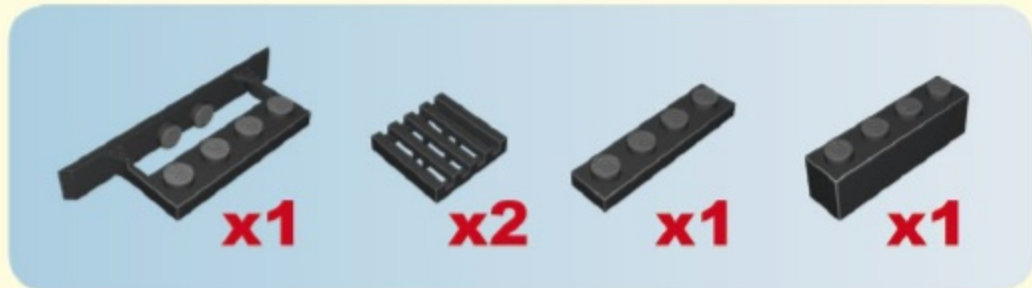
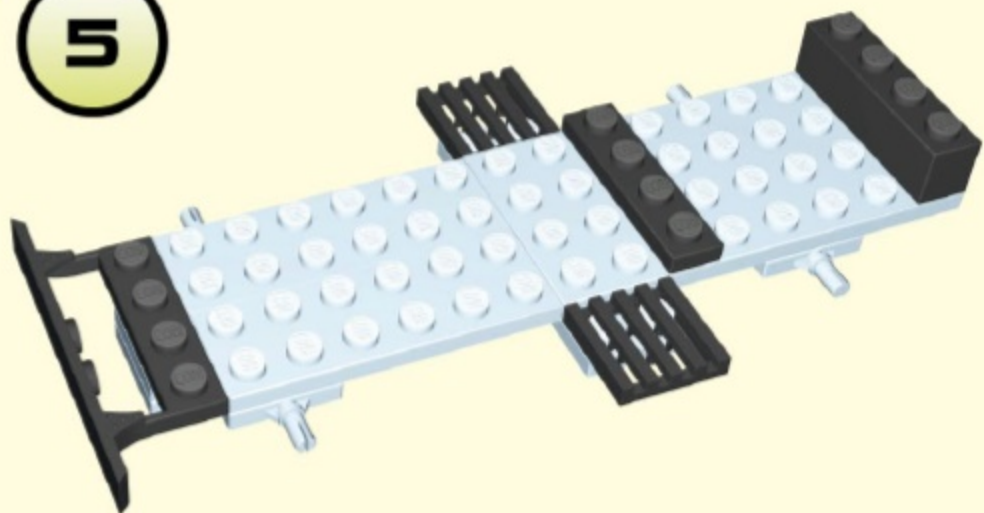


x2

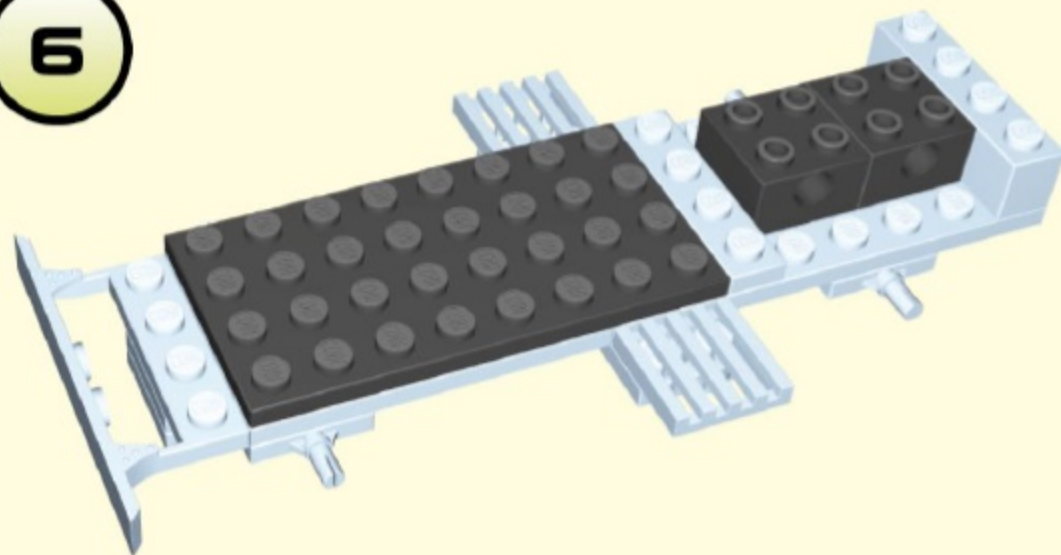


x1

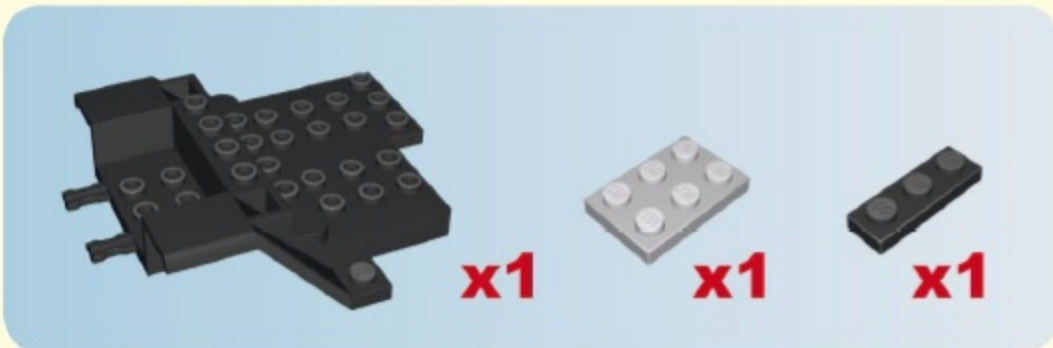
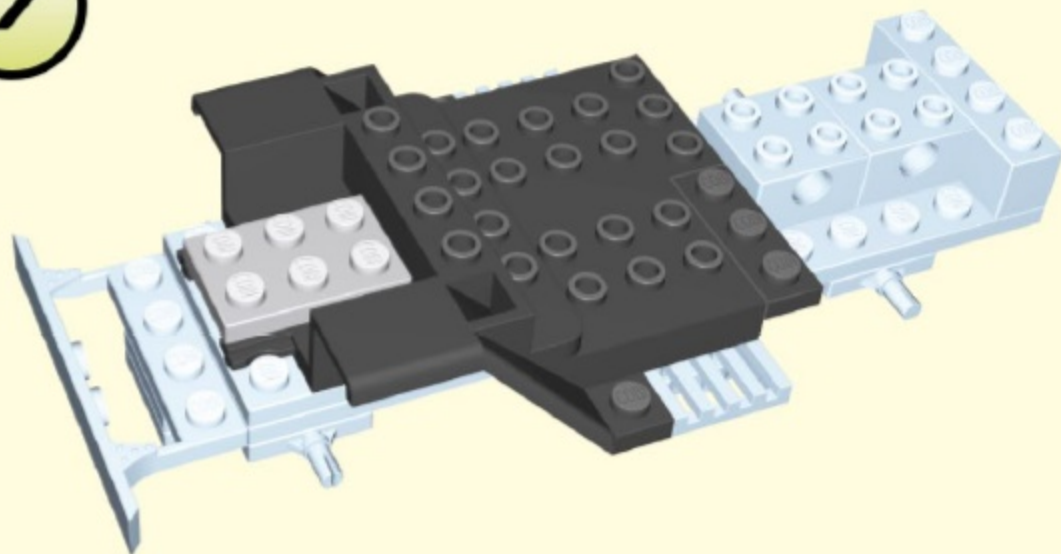
5



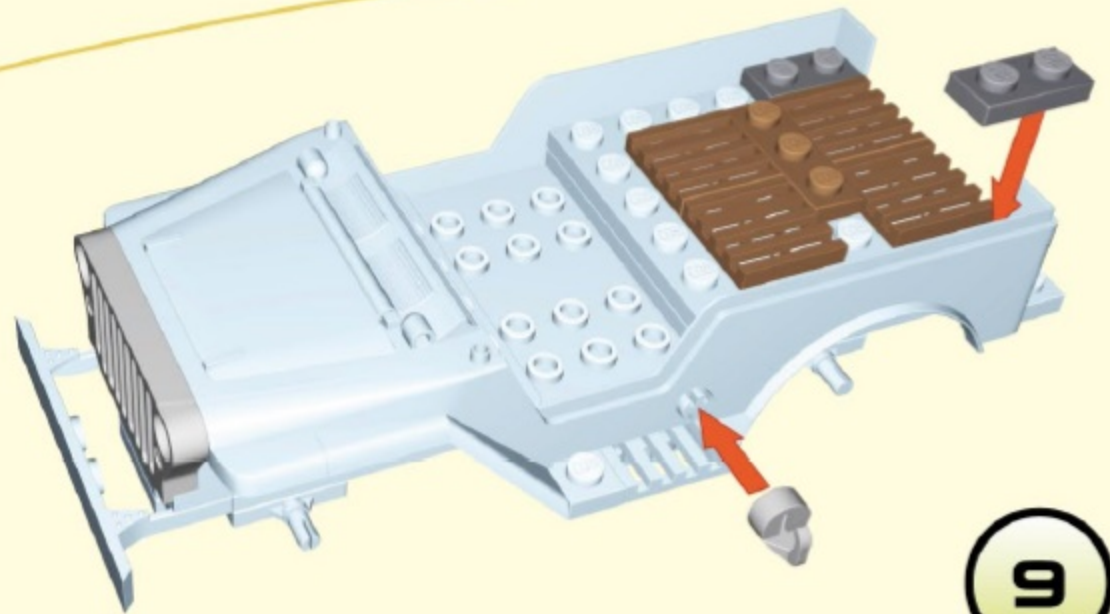
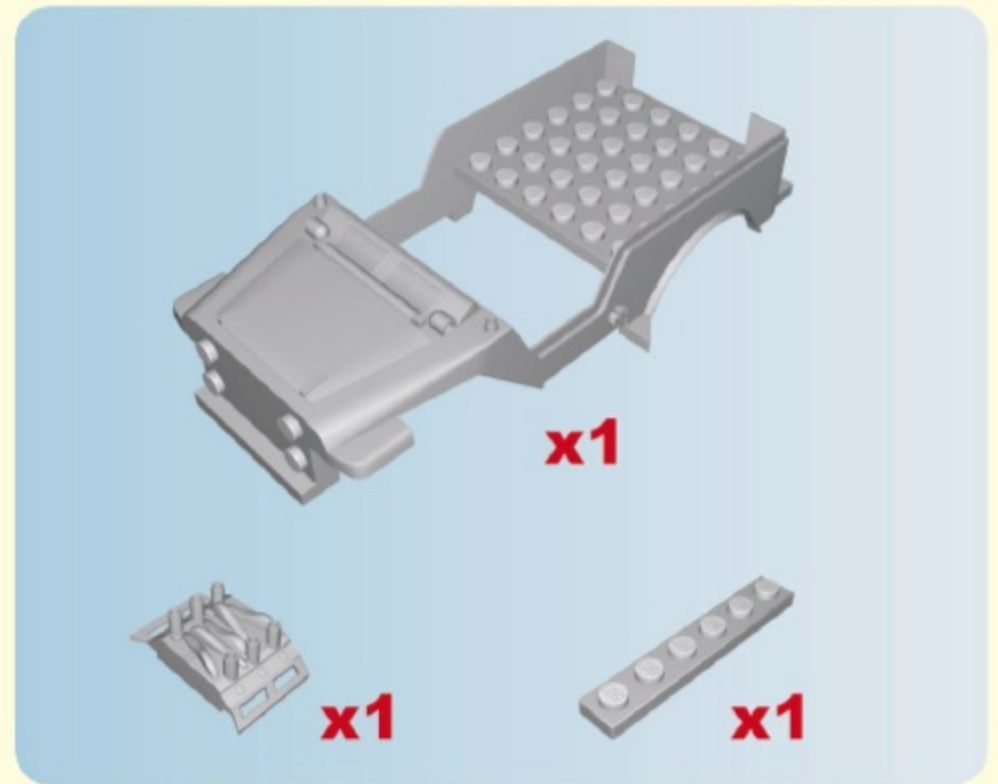
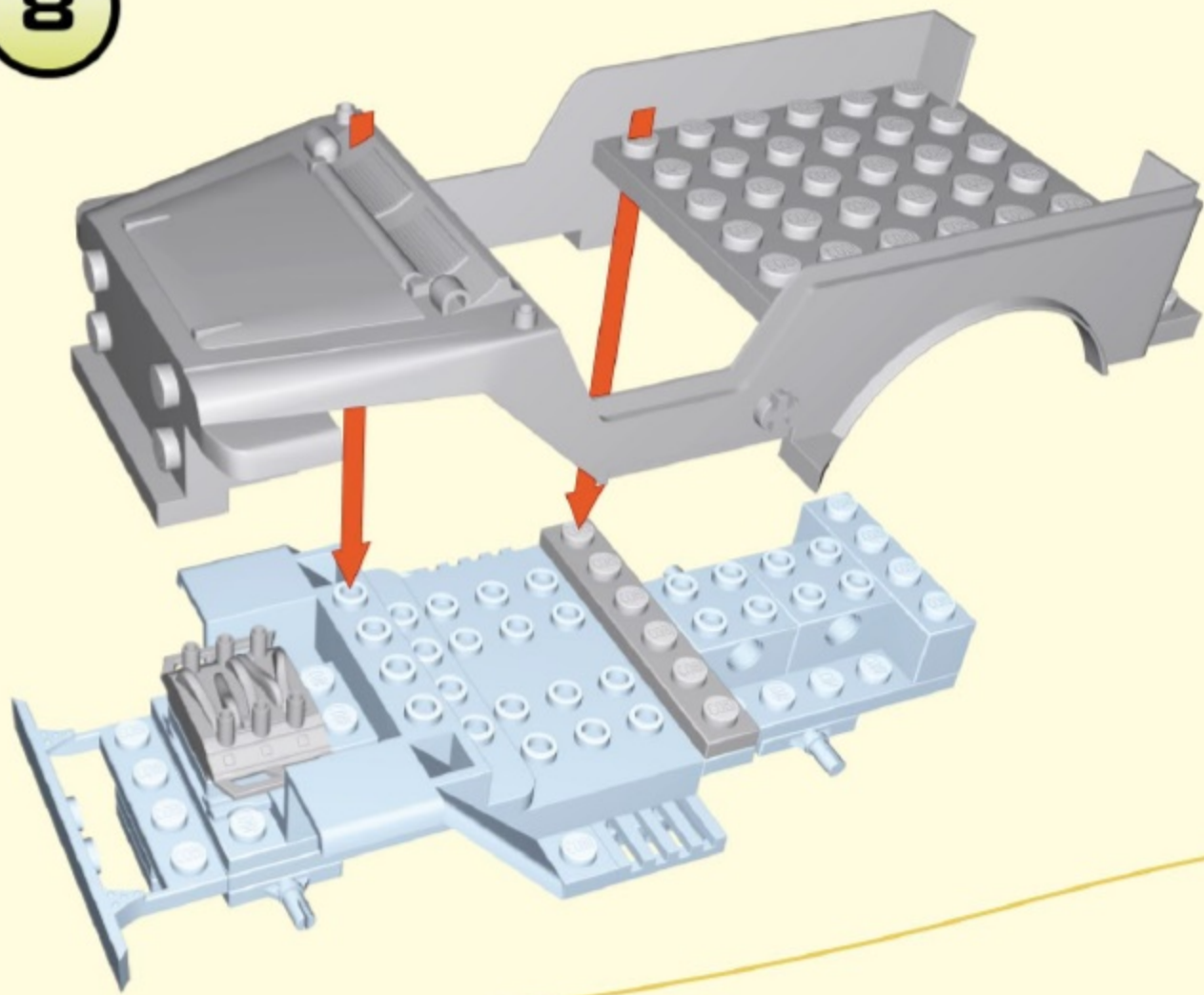
6



7

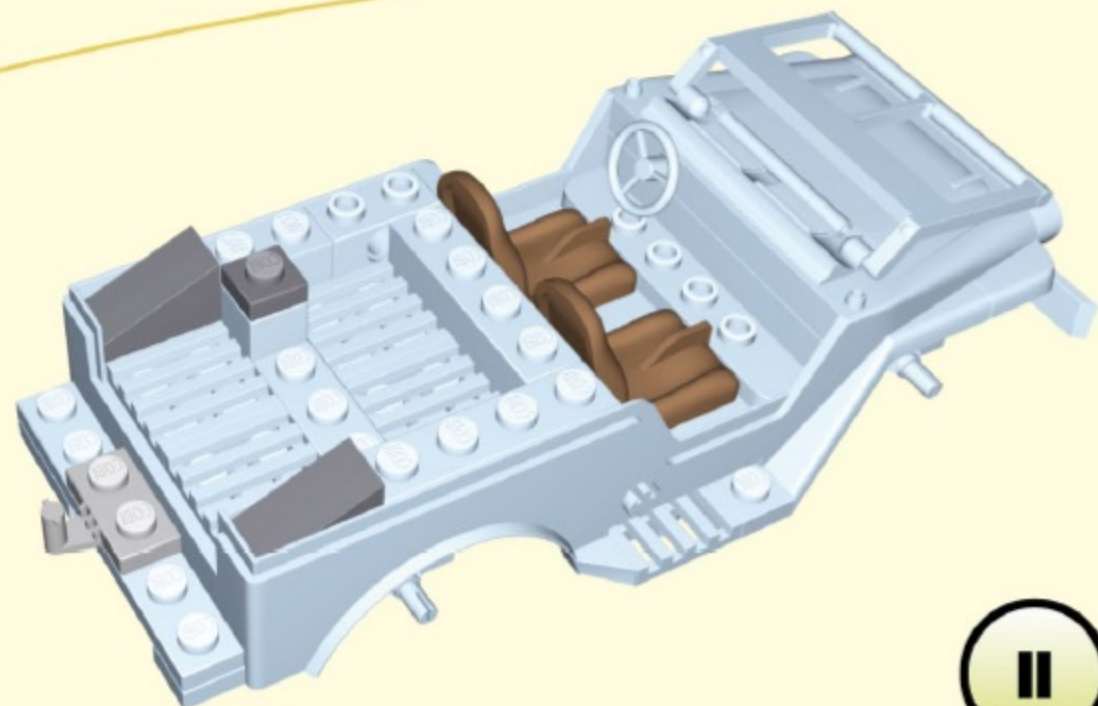
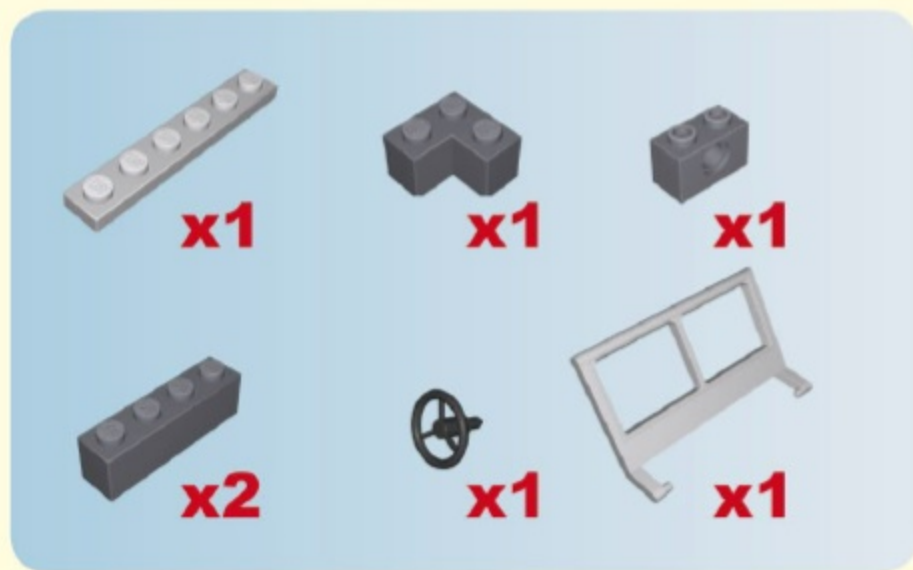
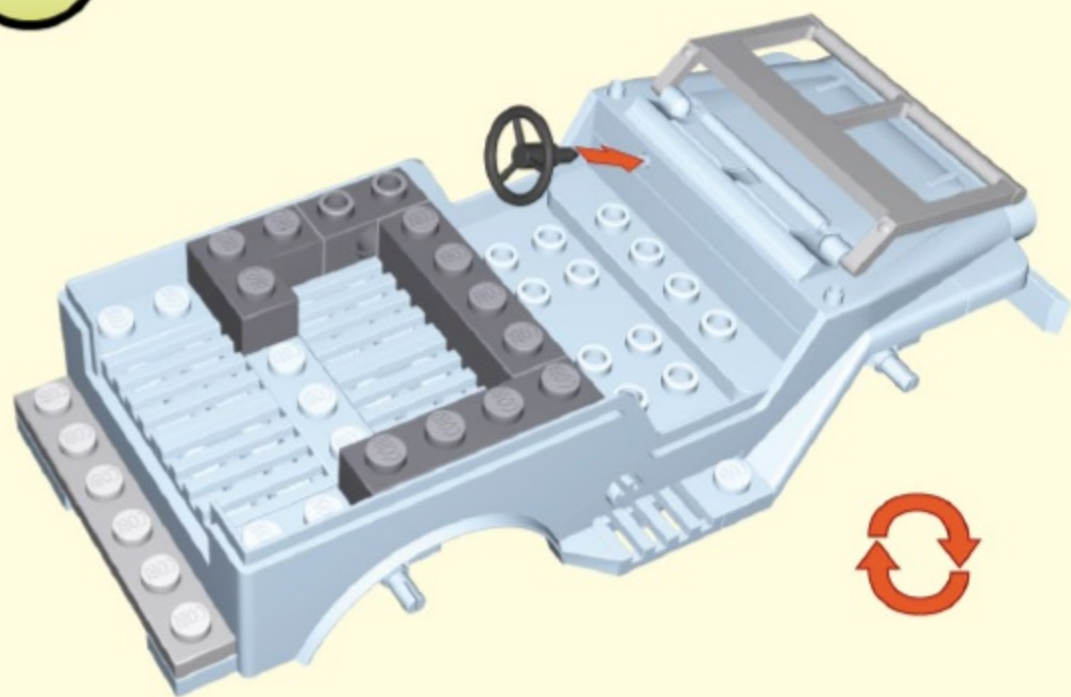


8



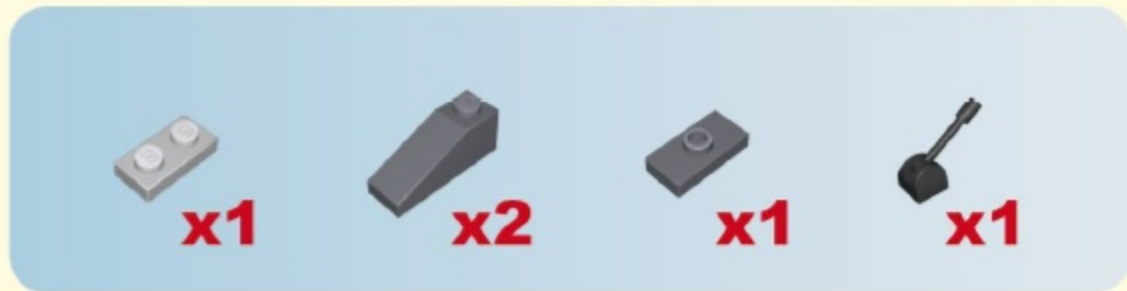
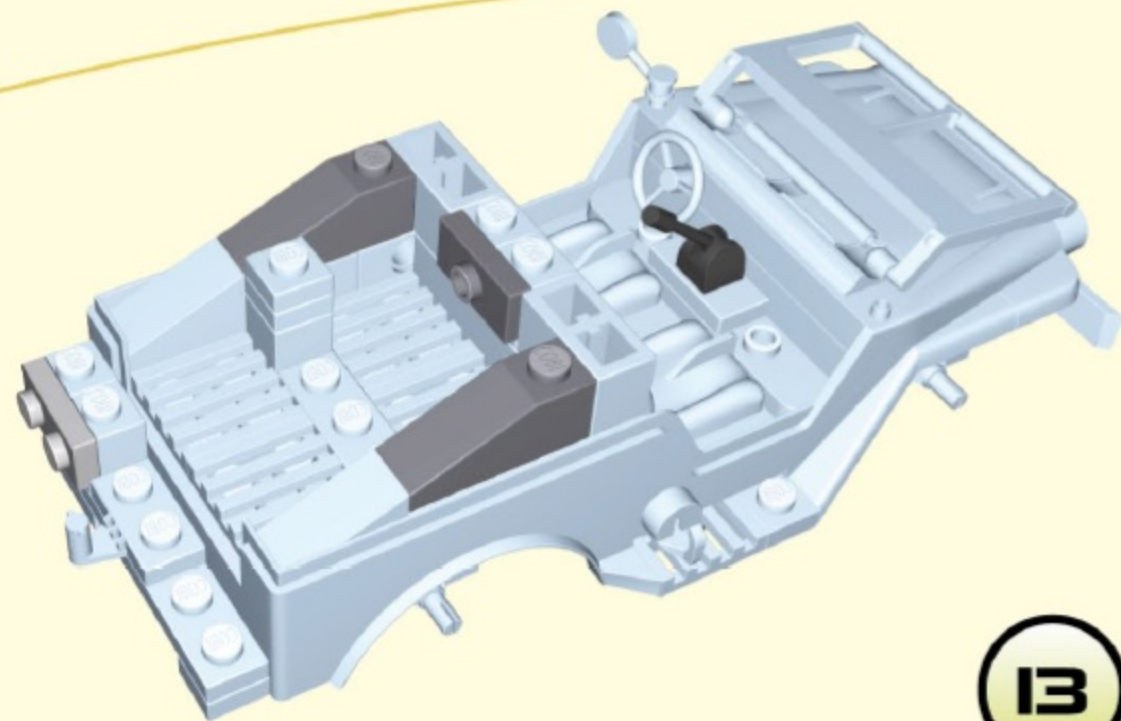
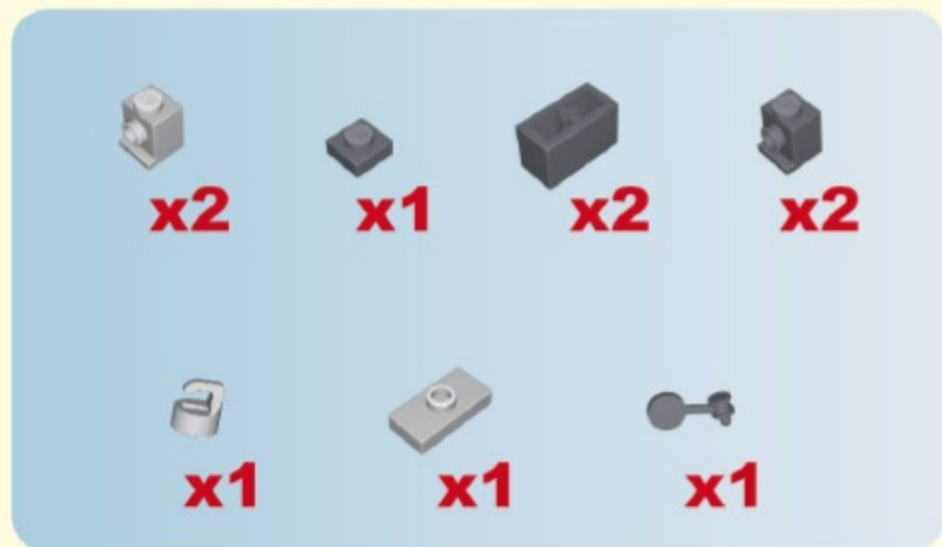
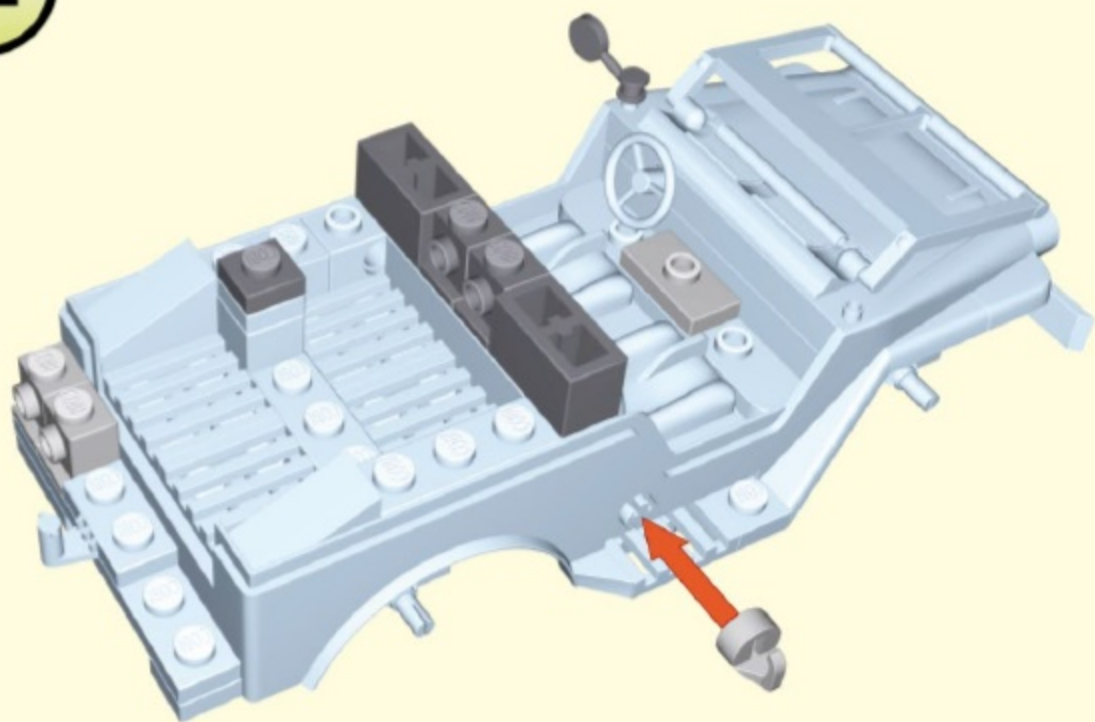
9

10



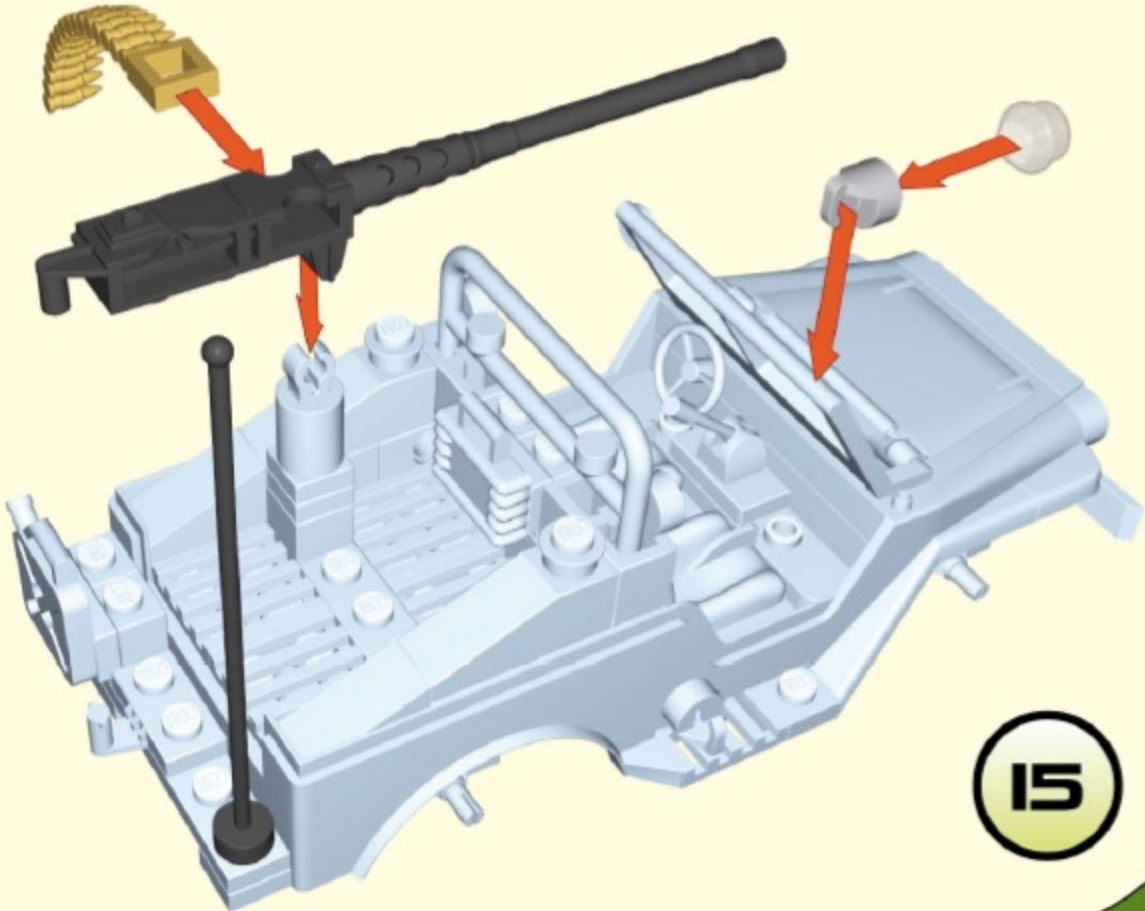
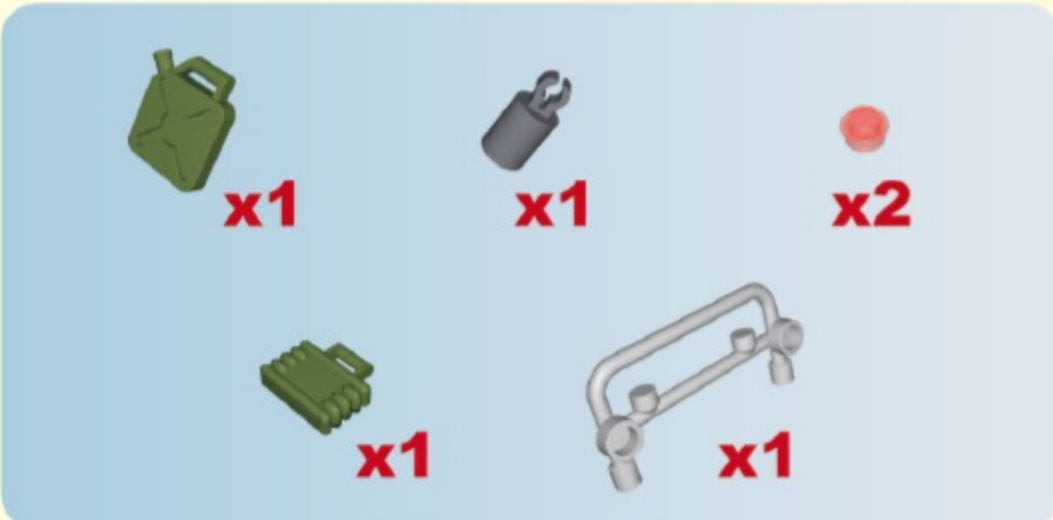
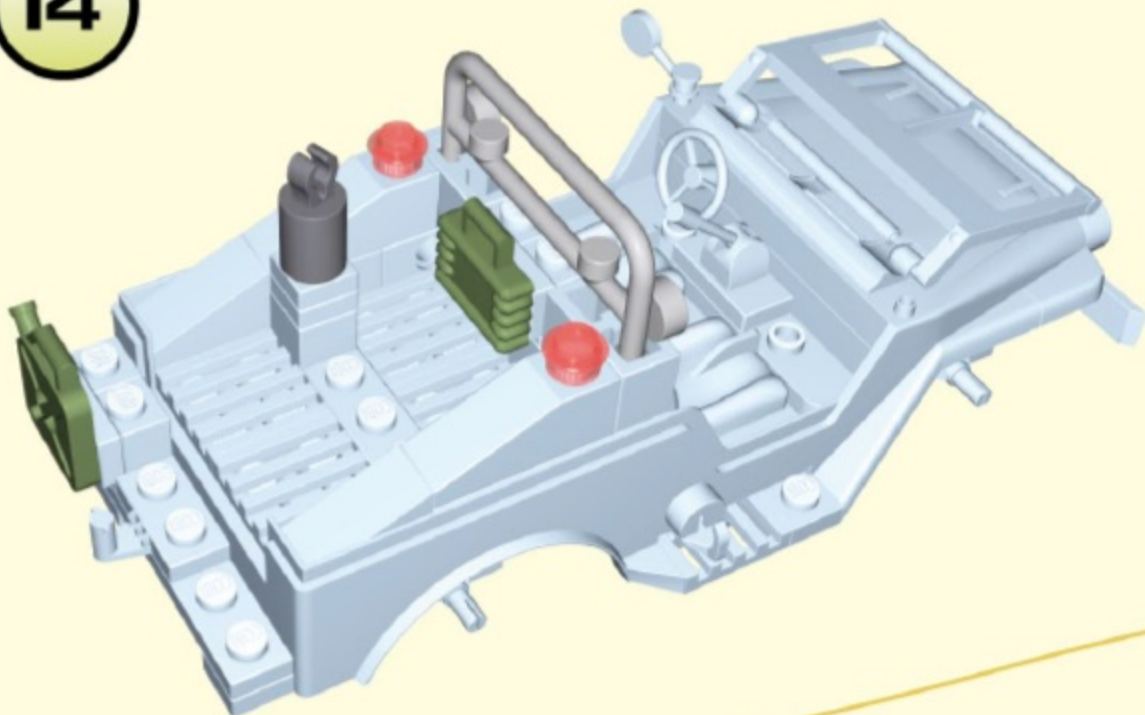
11

12



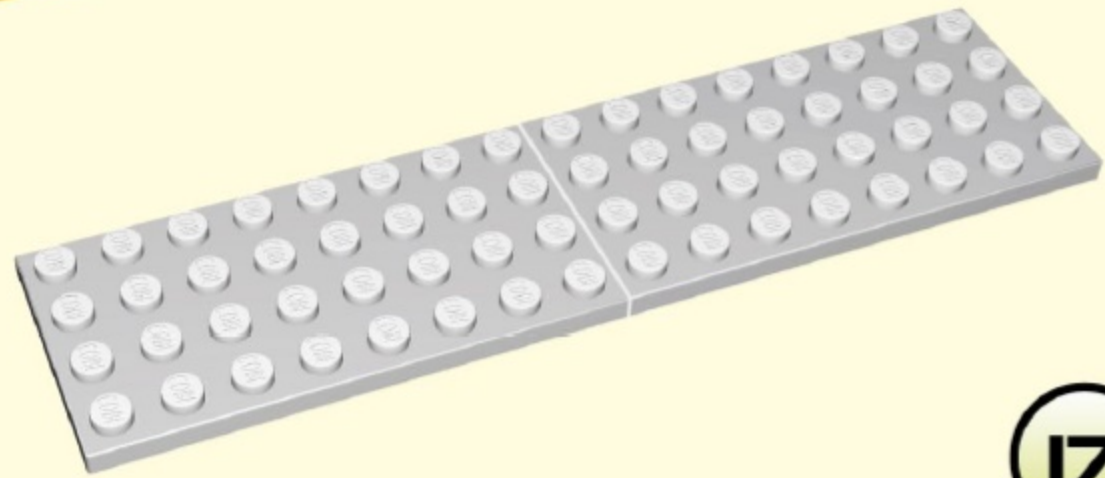
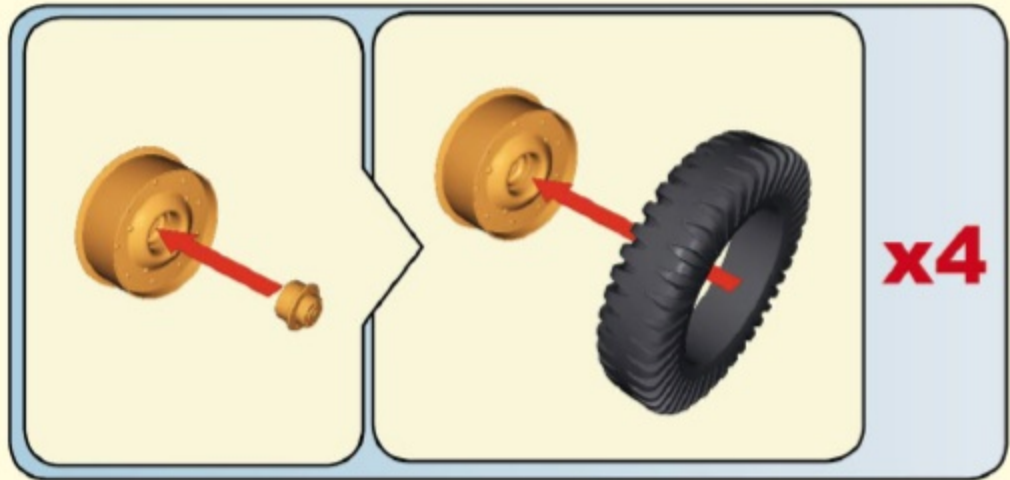
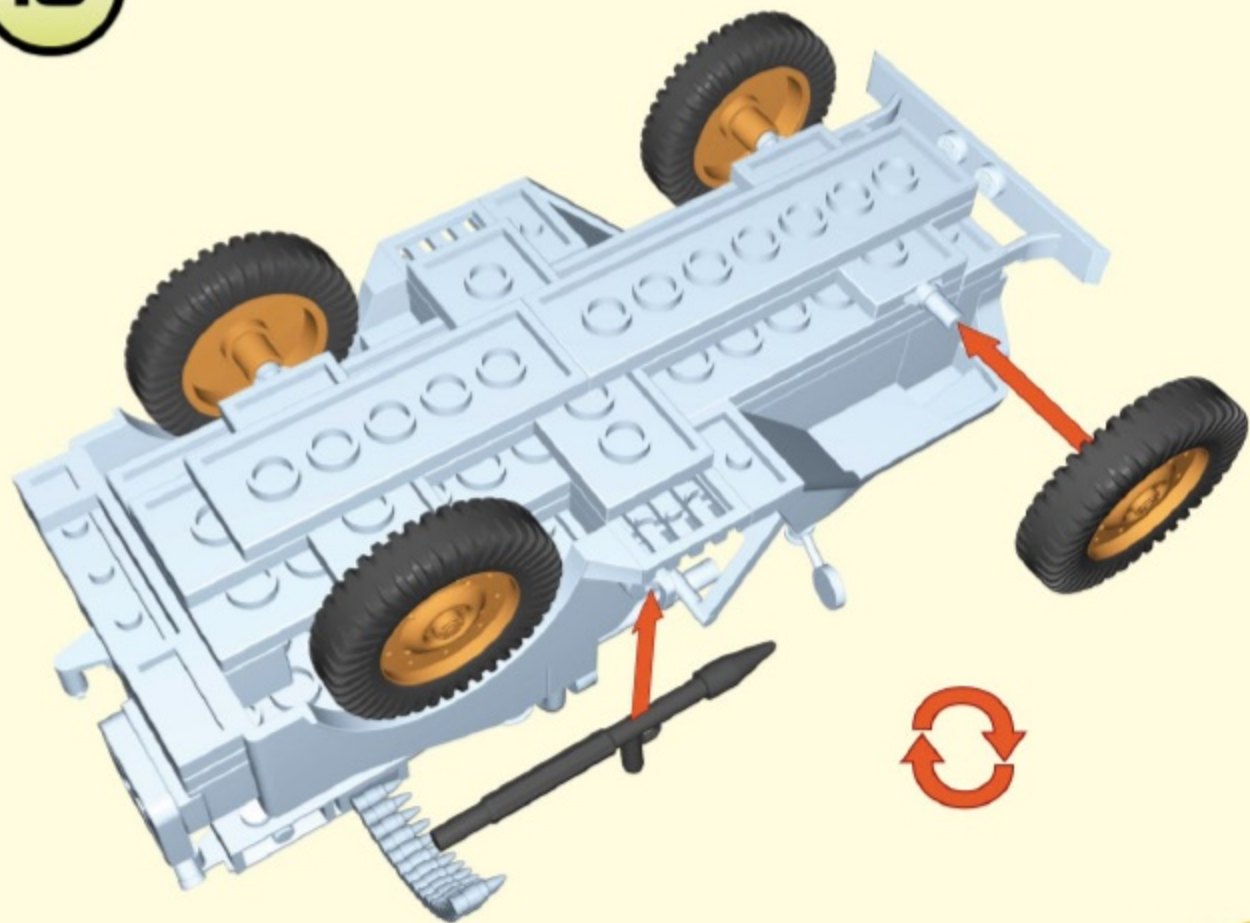
13

14



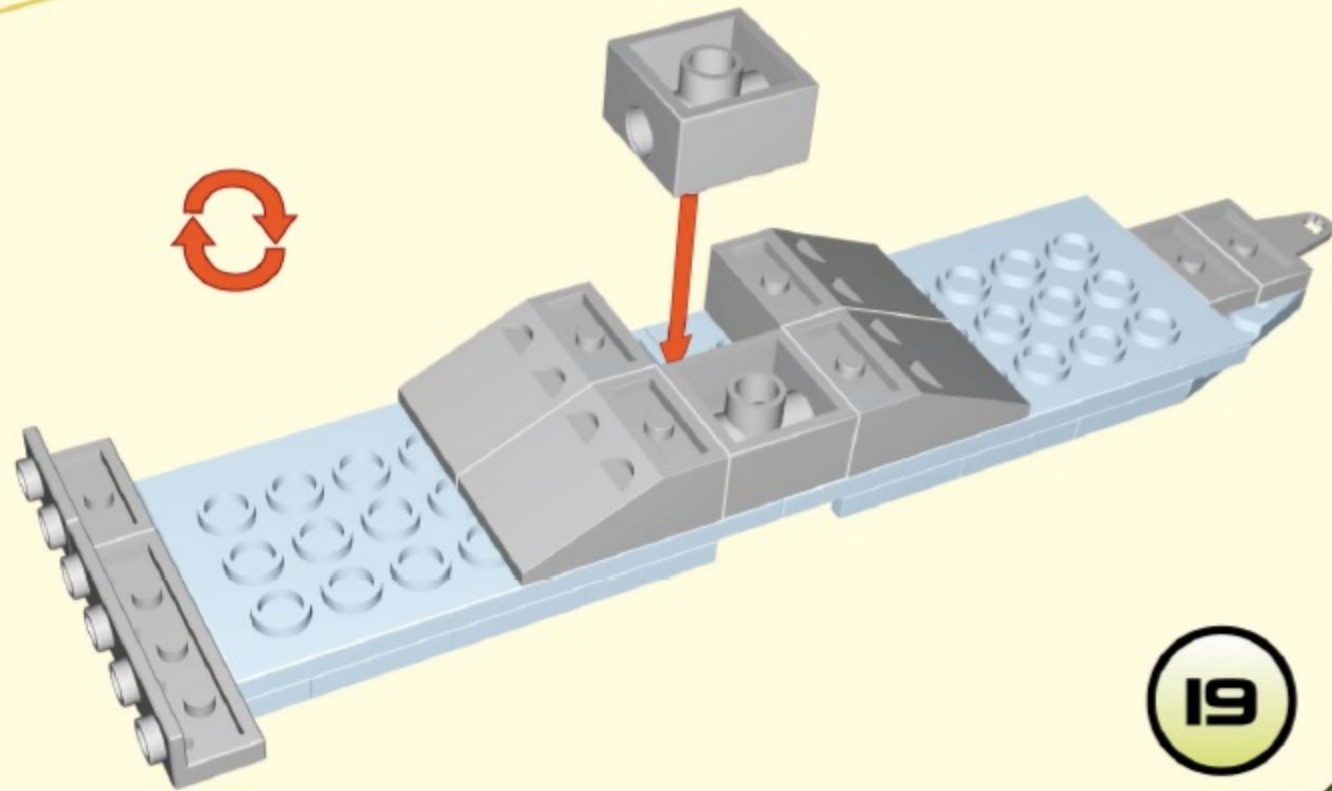
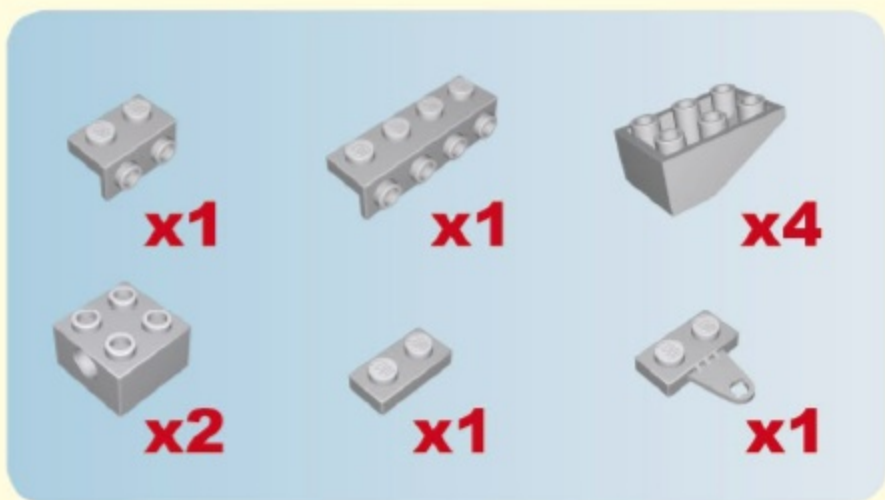
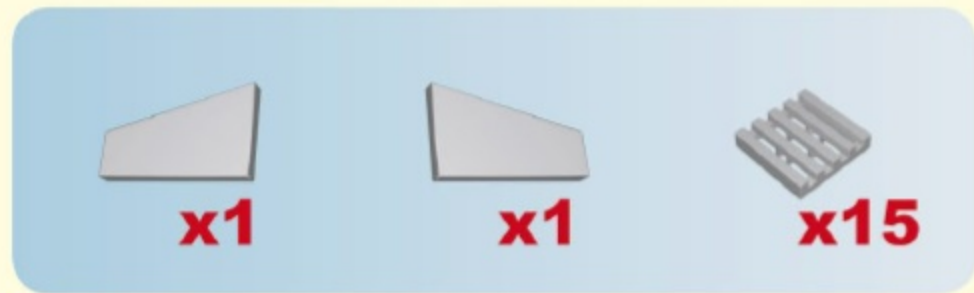
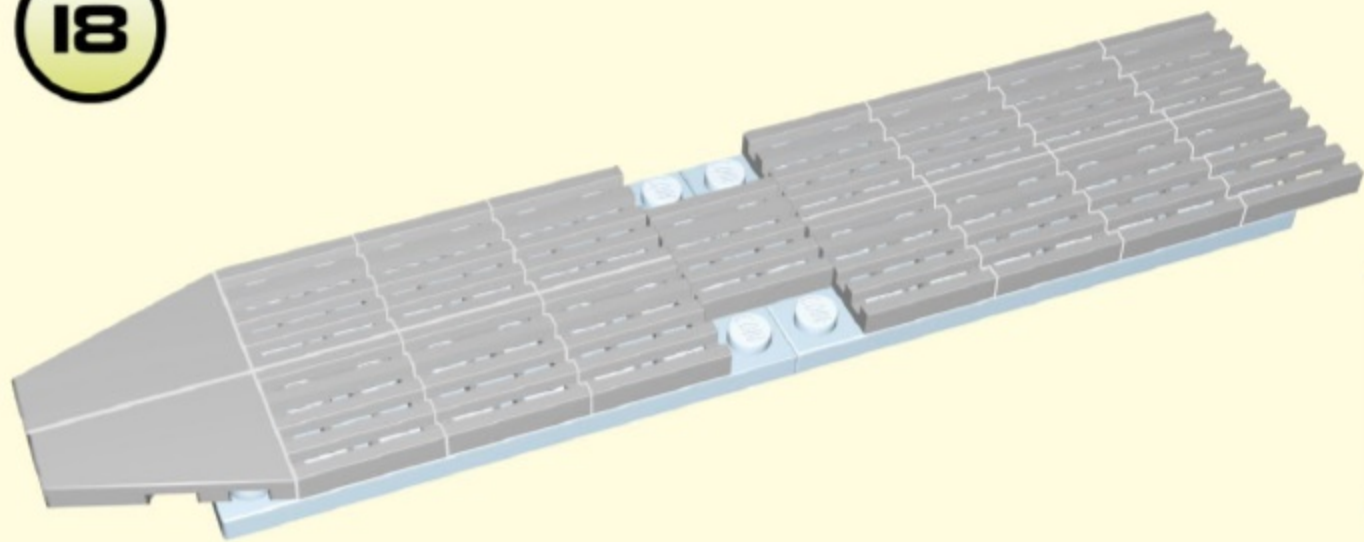
15

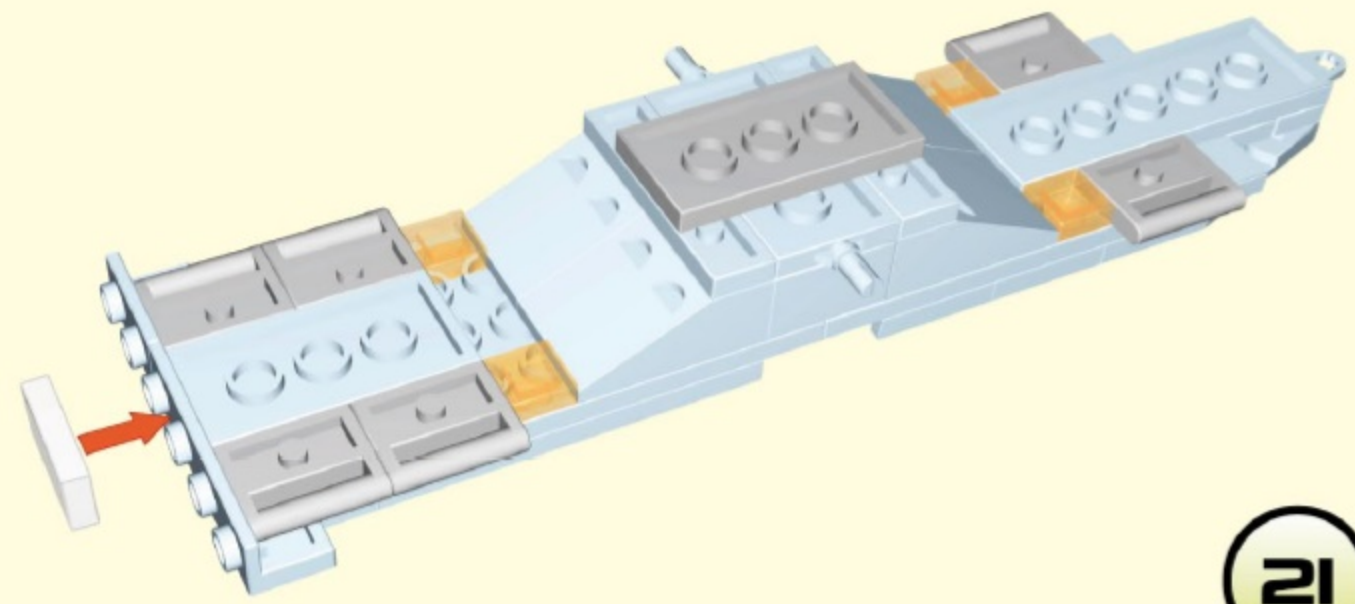
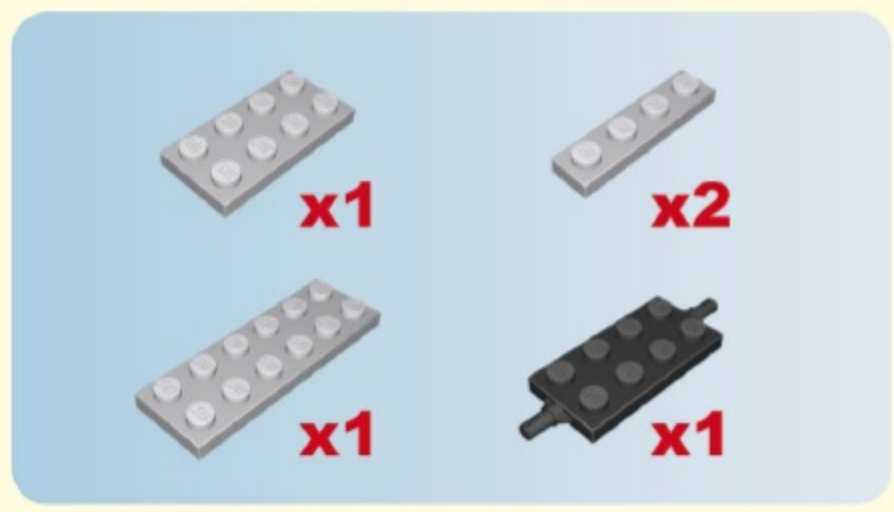
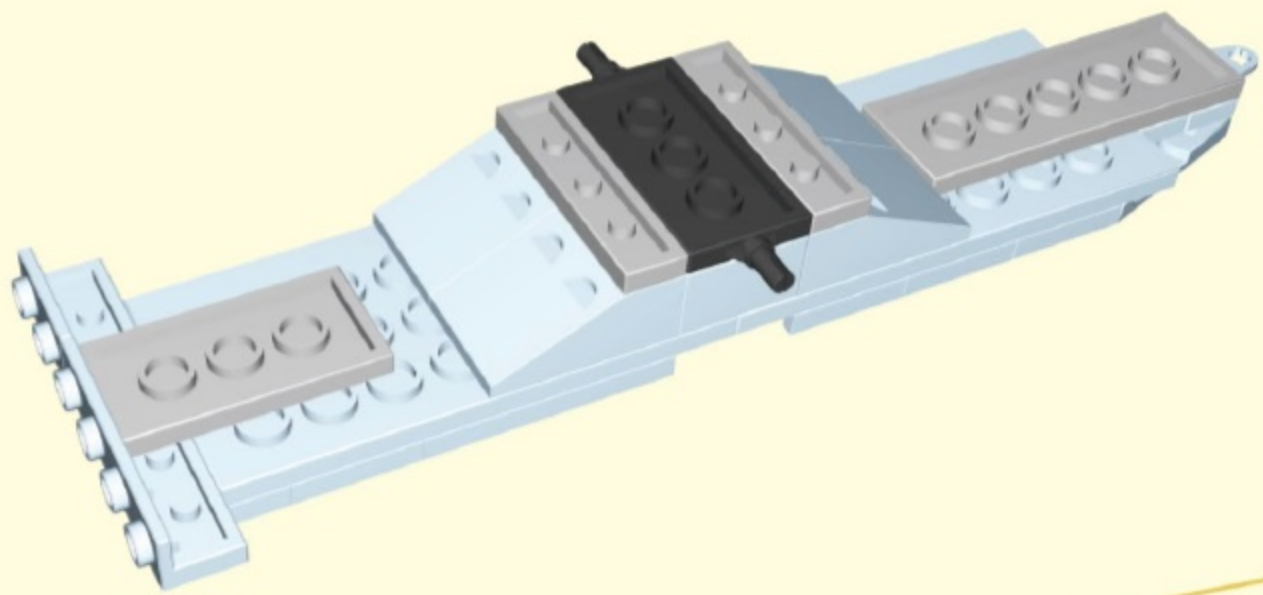
16



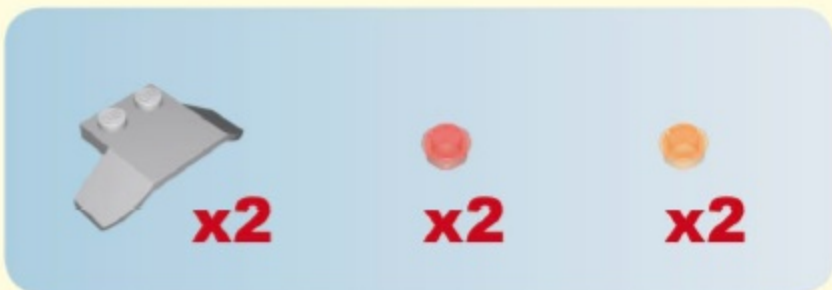
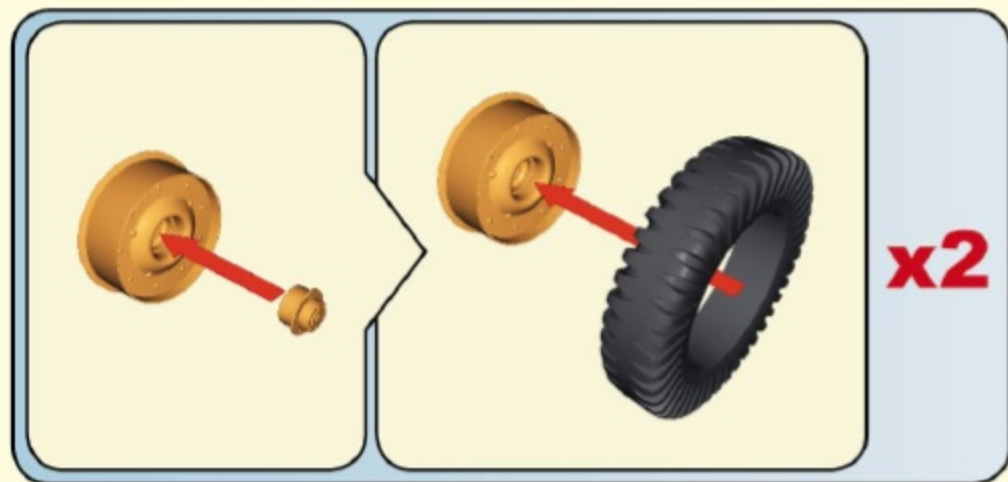
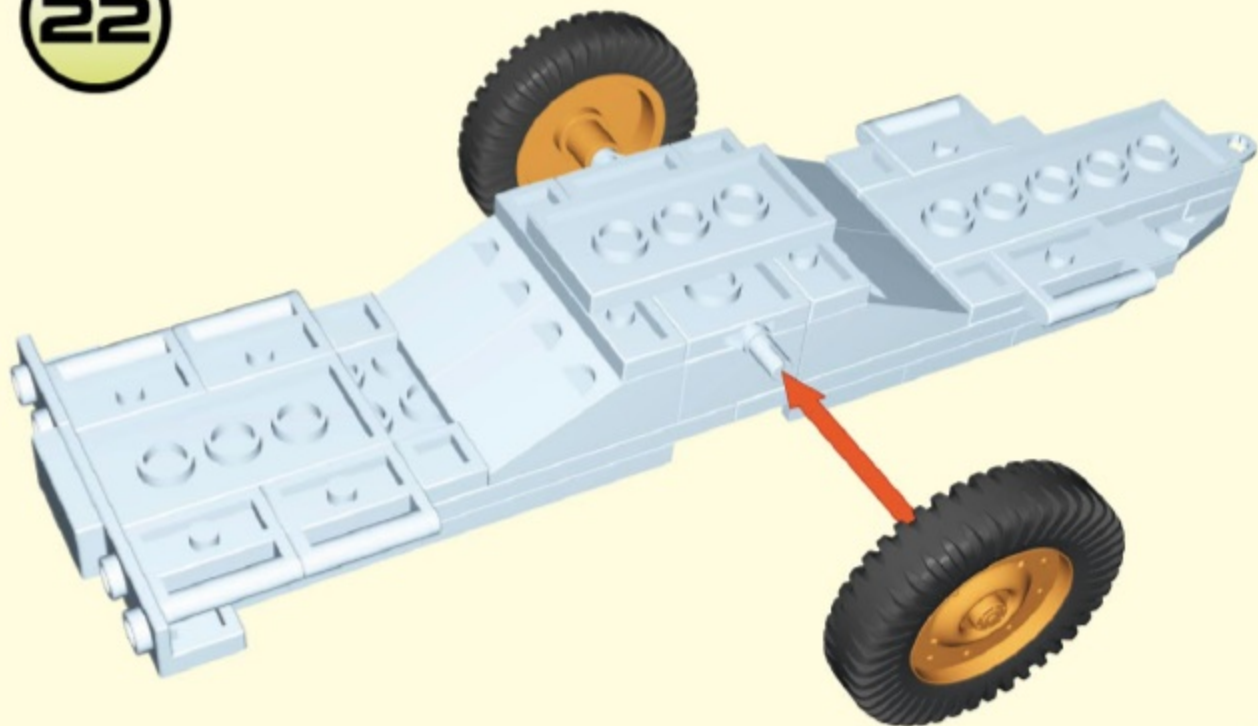
17



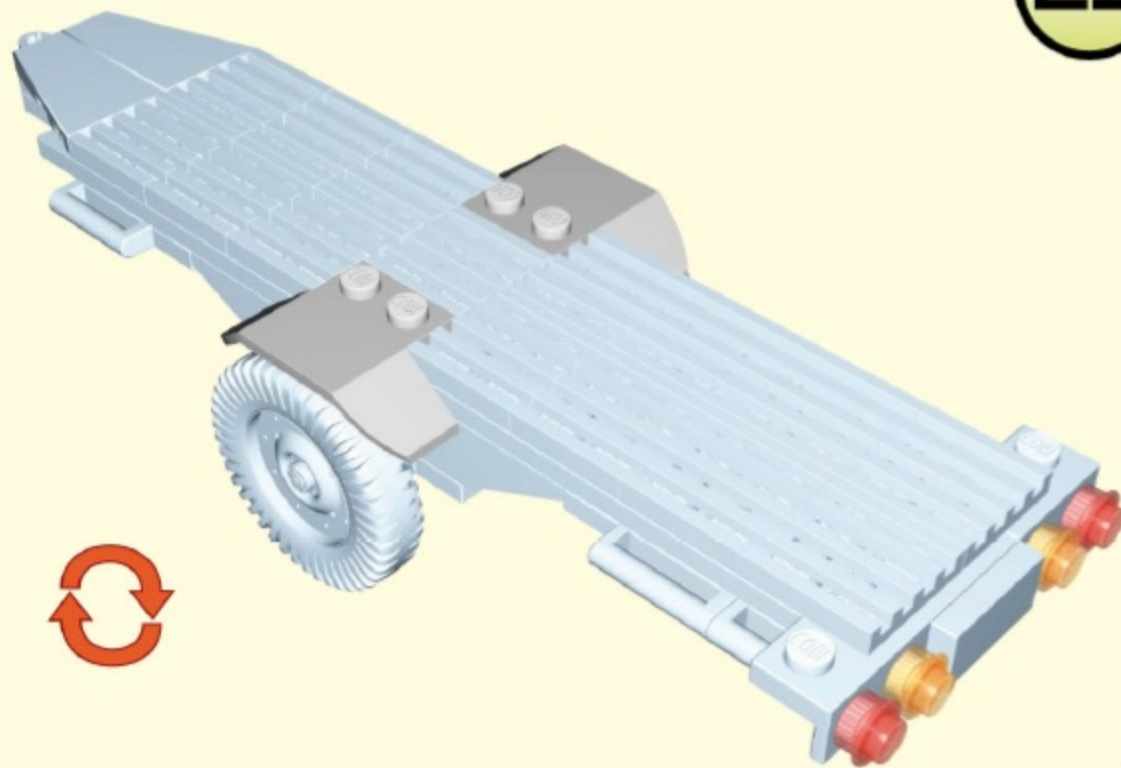


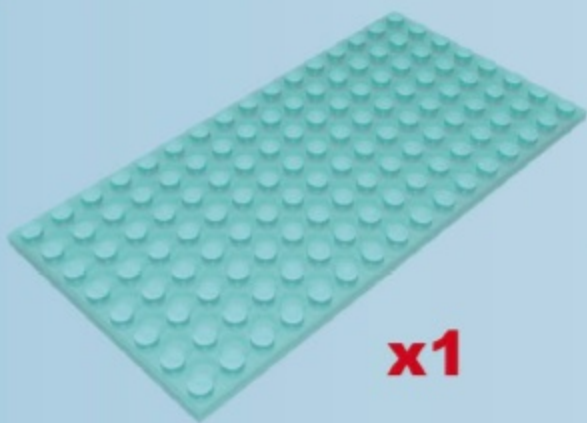
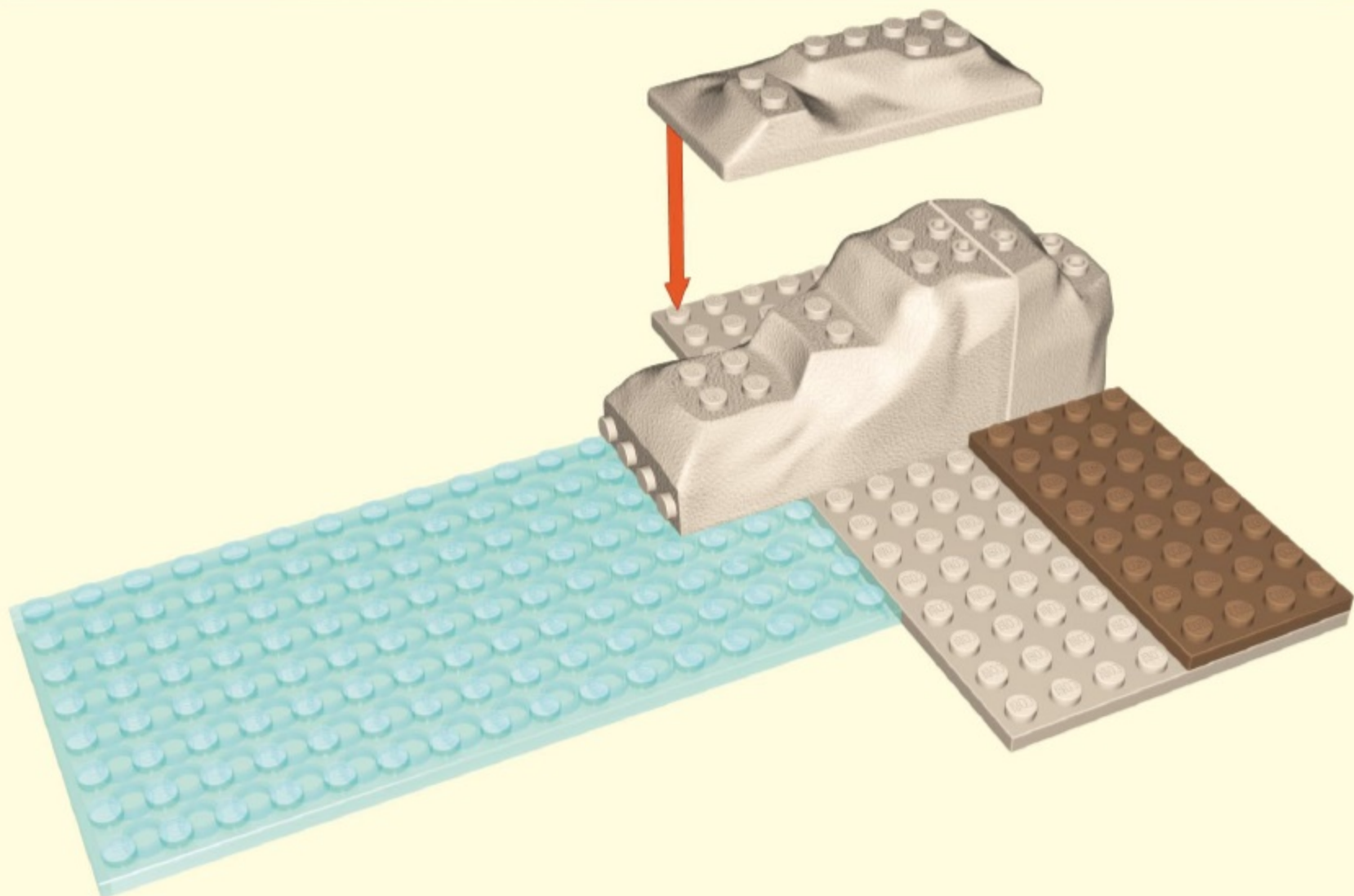


22

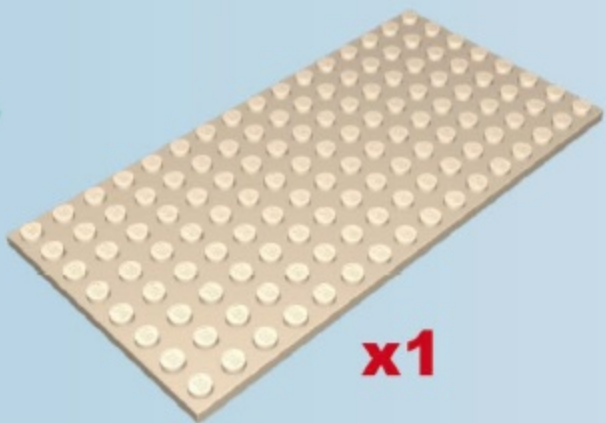


23





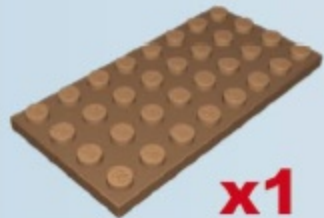
x1



x1



x1



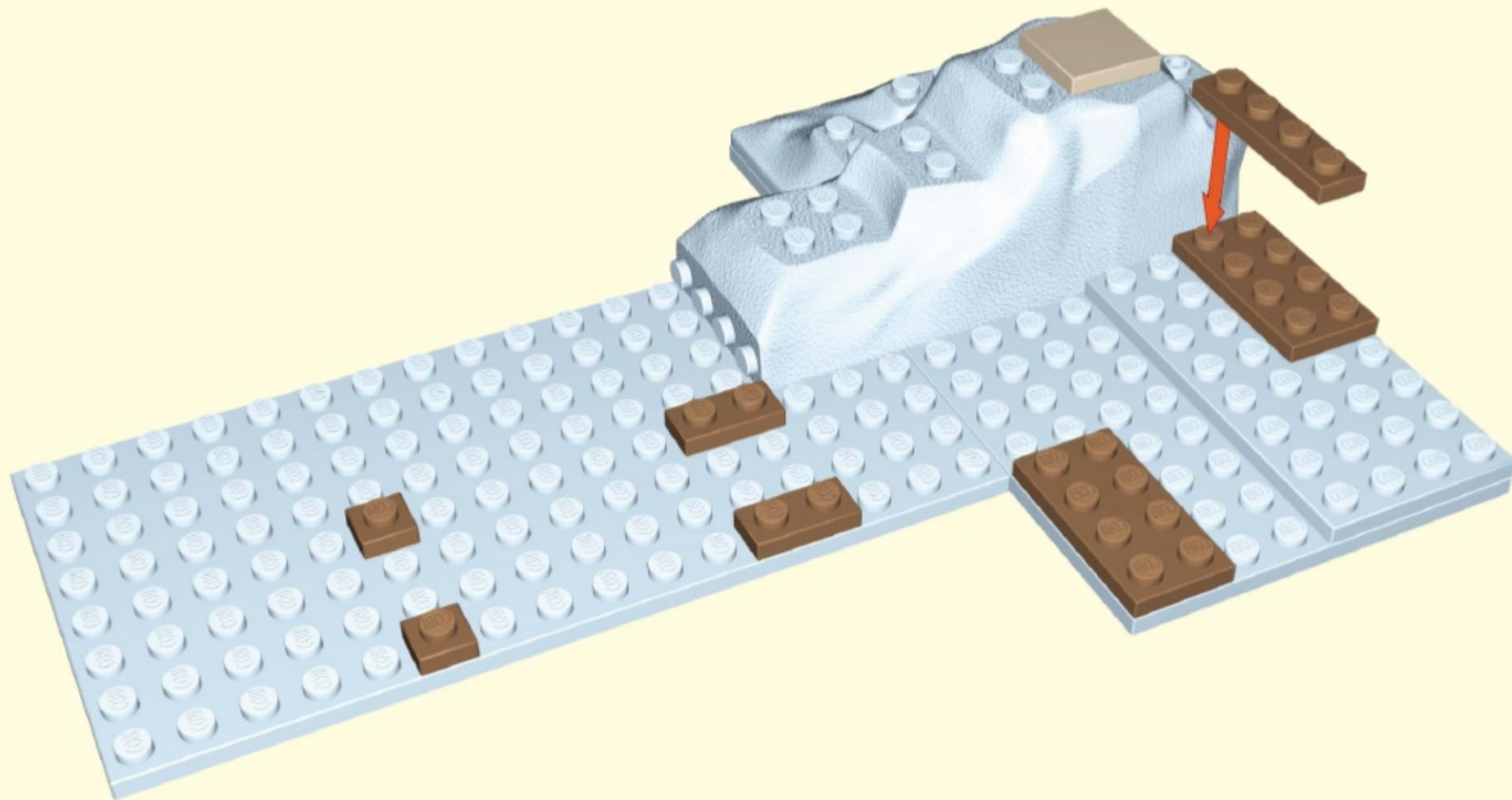
x1



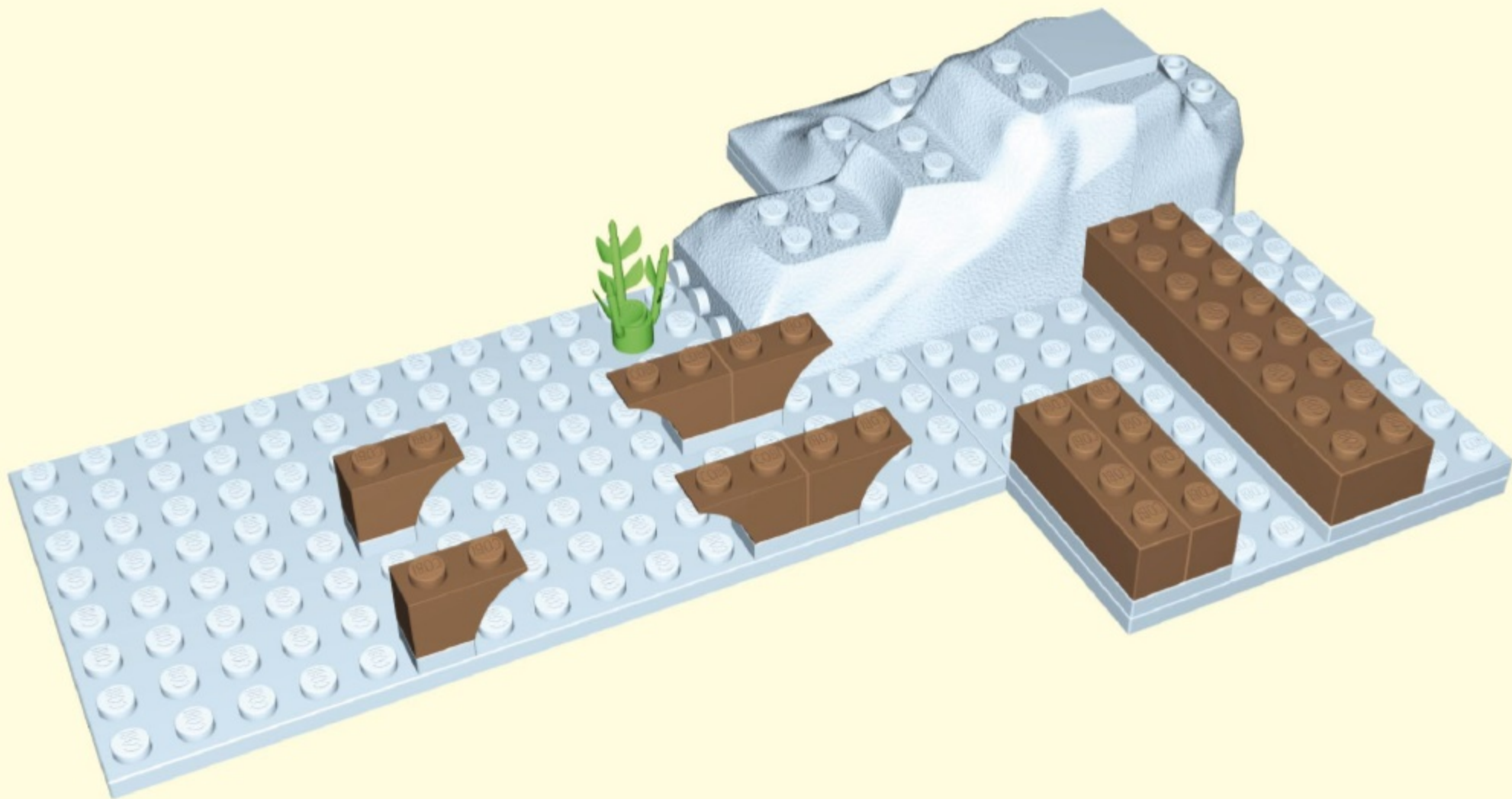
x1



x1



-  **x2**
-  **x2**
-  **x2**
-  **x1**
-  **x1**



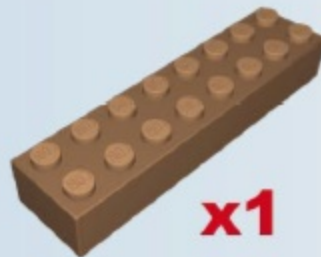
x1



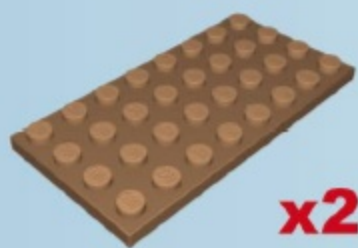
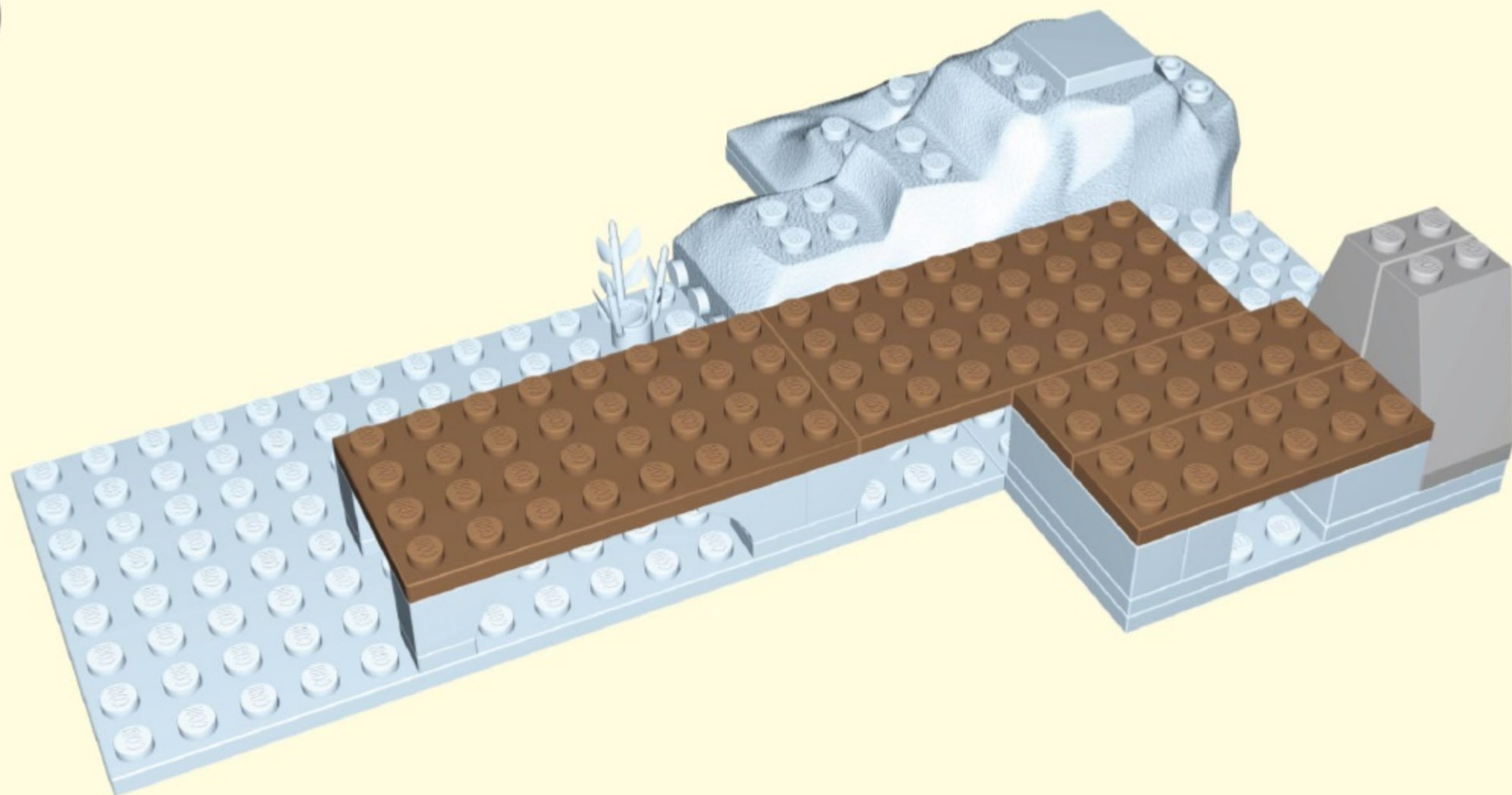
x6



x2



x1



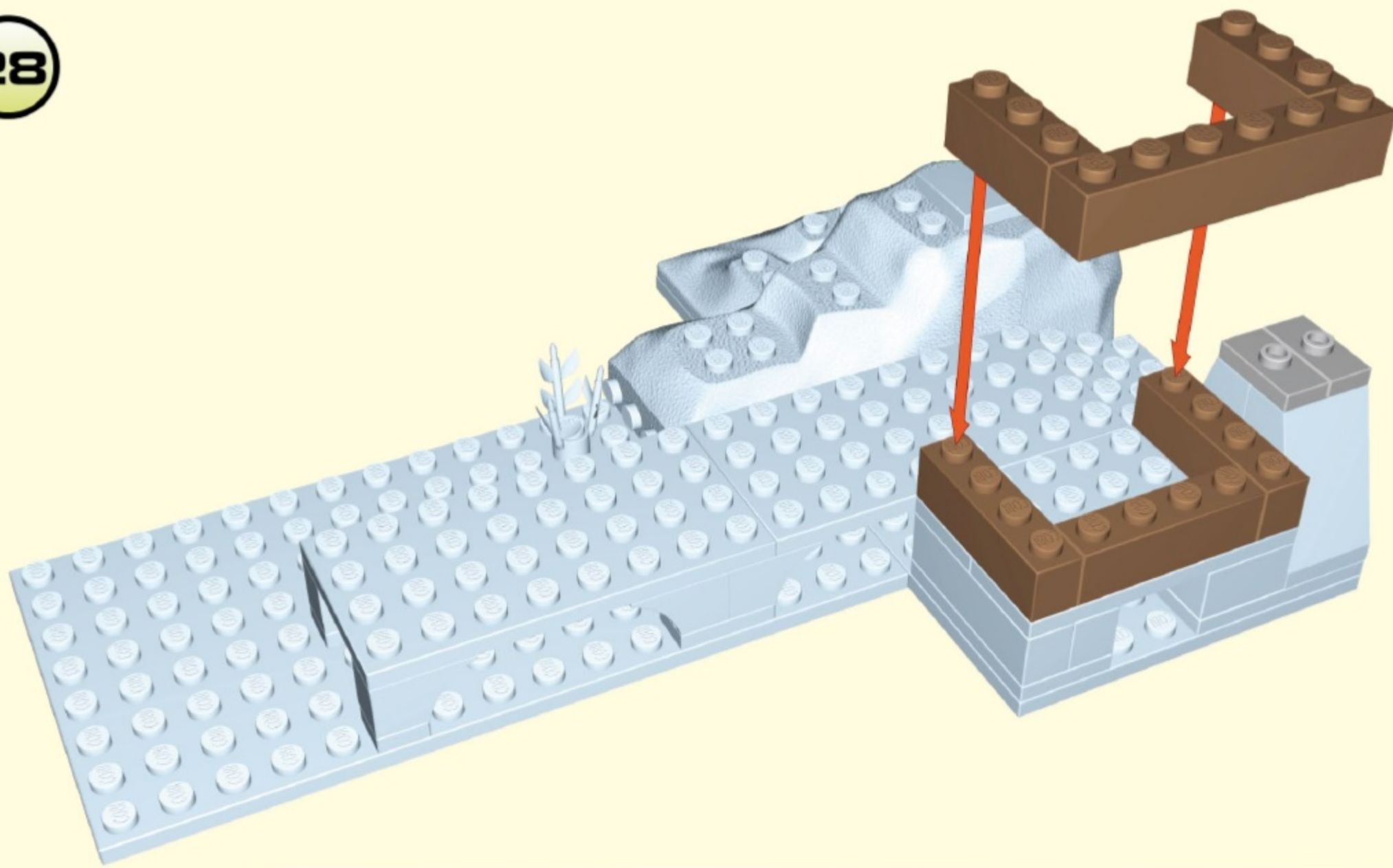
x2



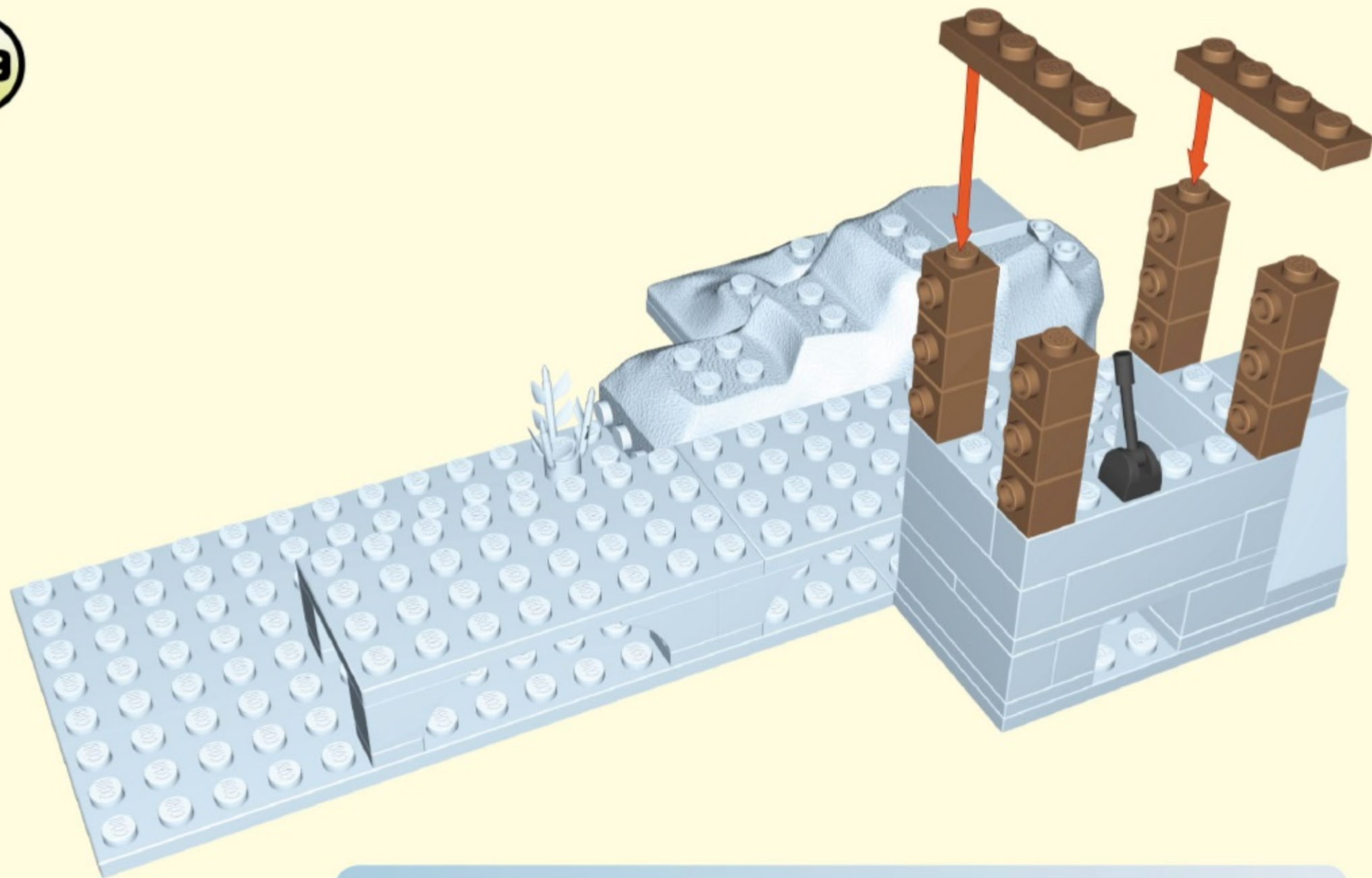
x2



x2







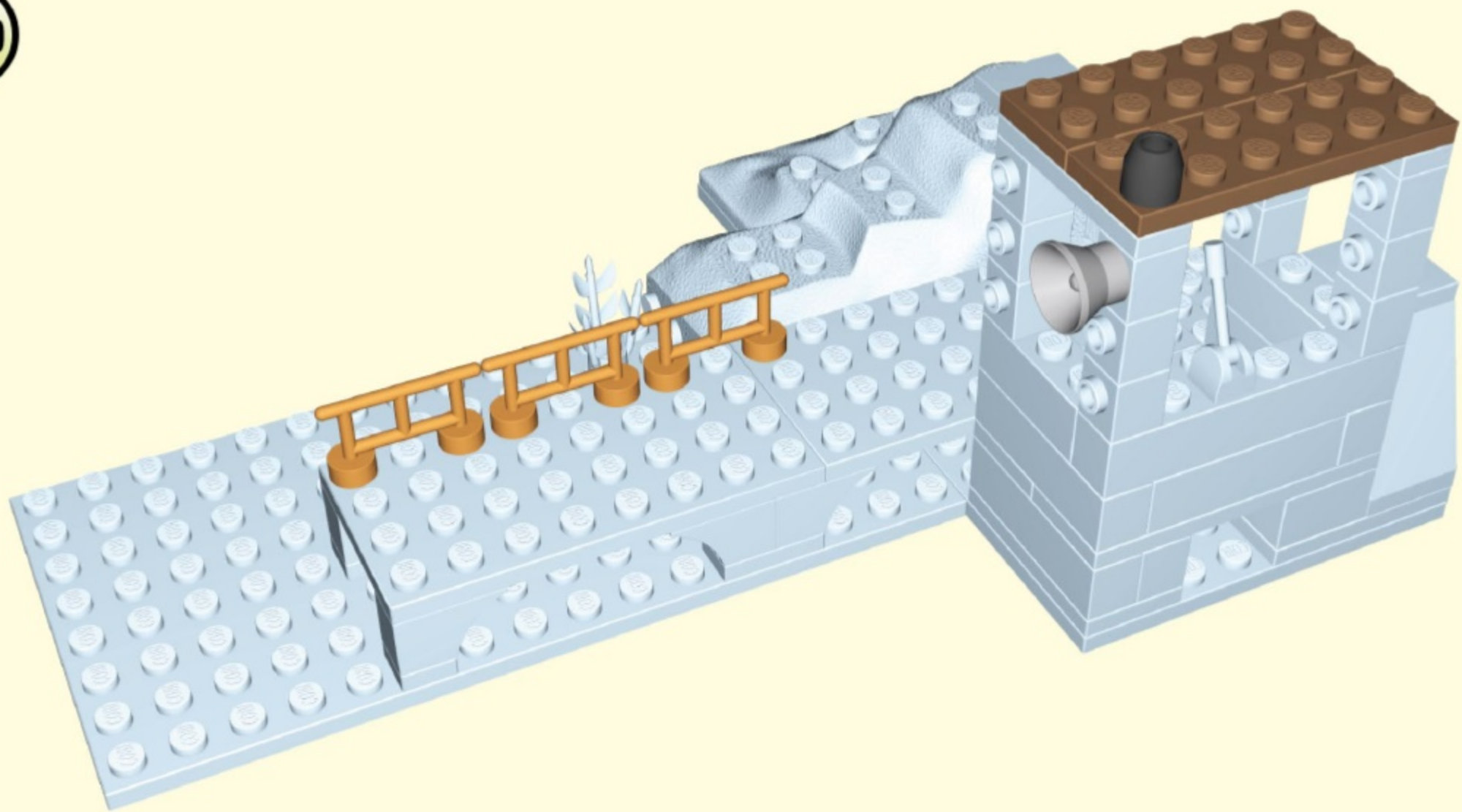
**x12**



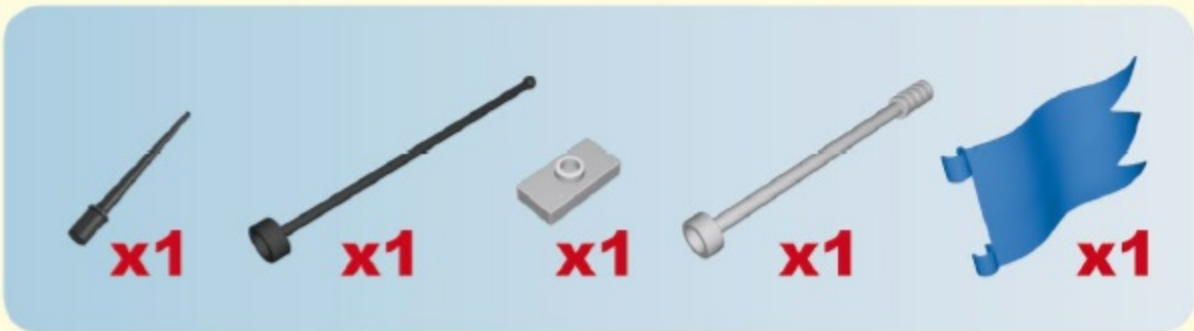
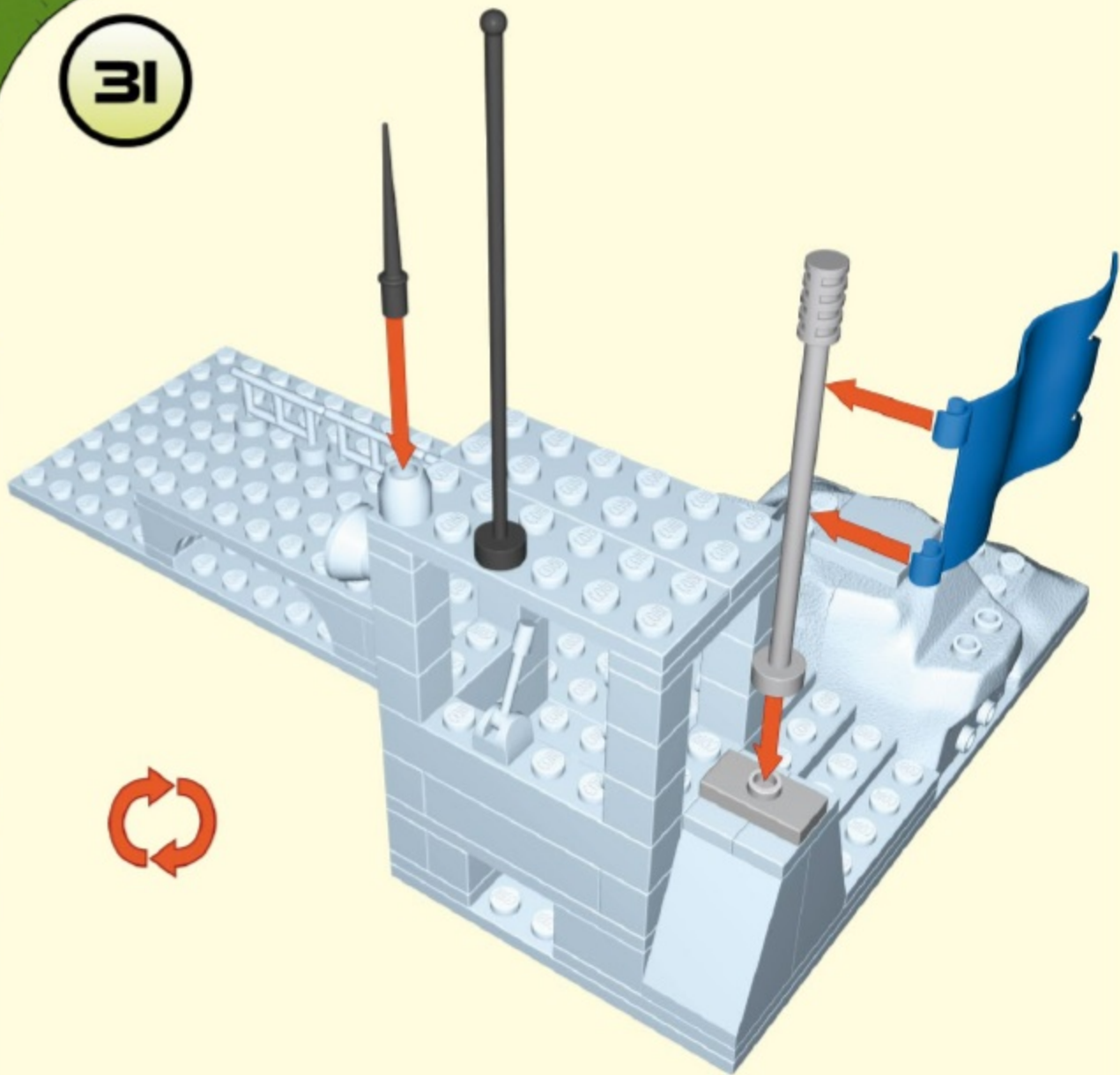
**x1**



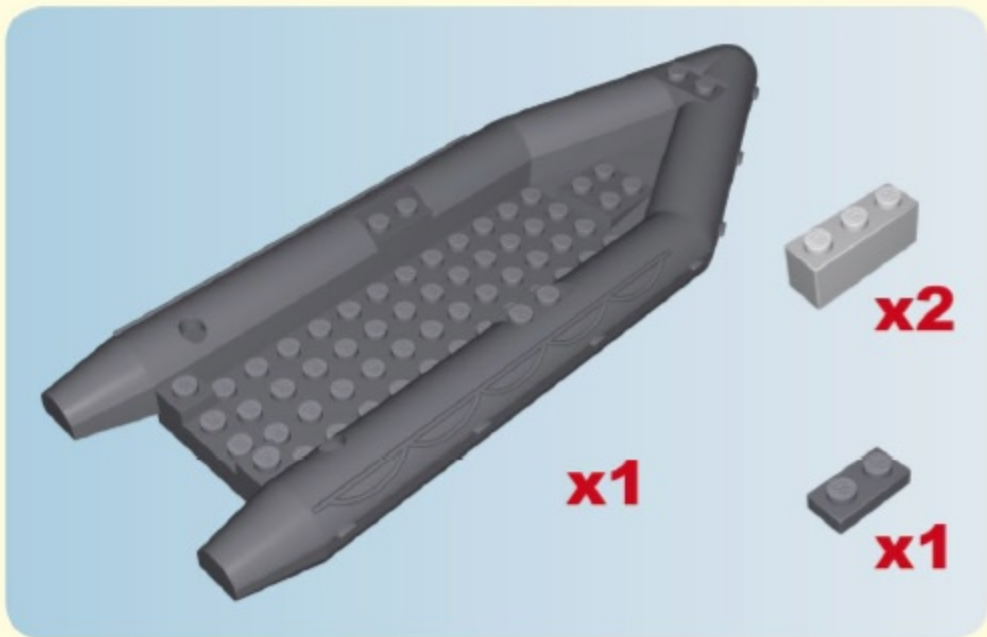
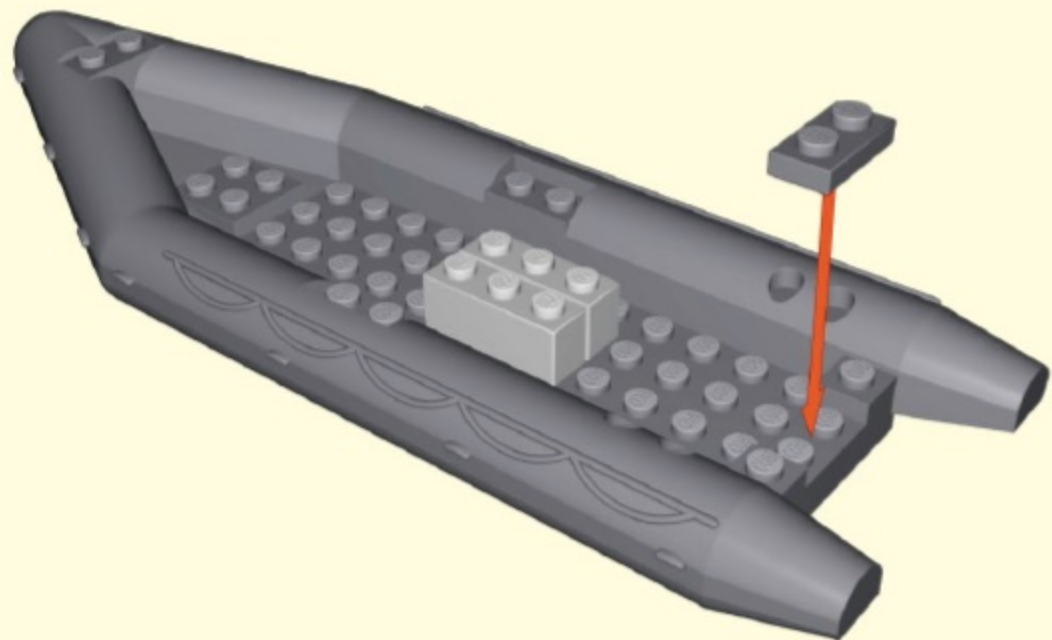
**x2**



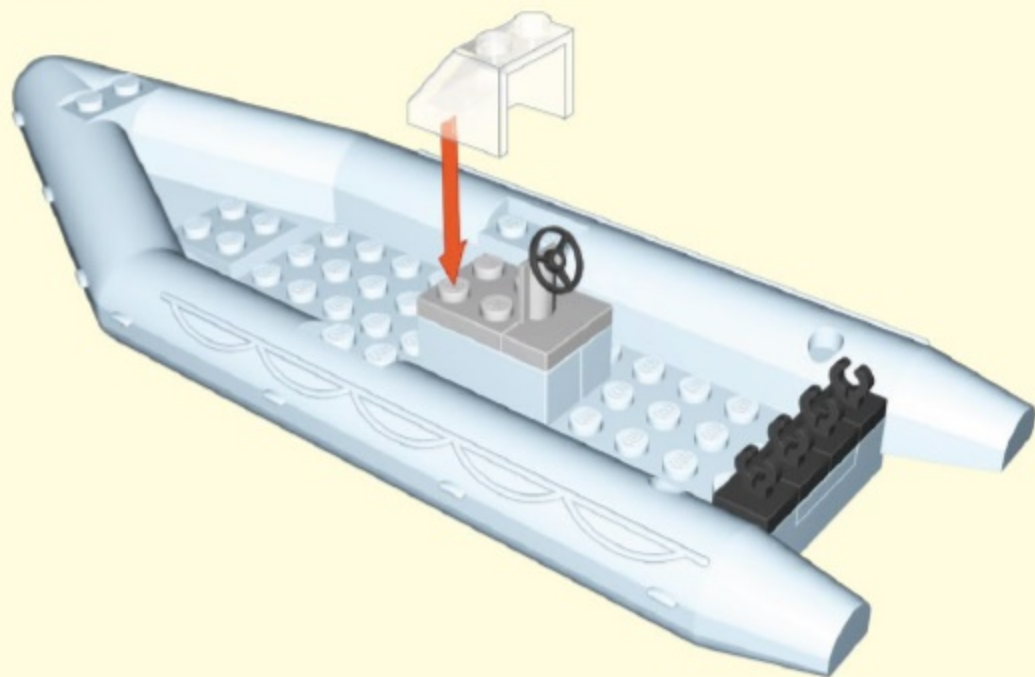
31



32



33



x1



x1



x4

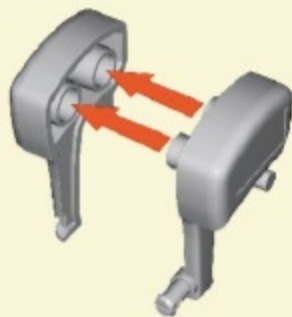
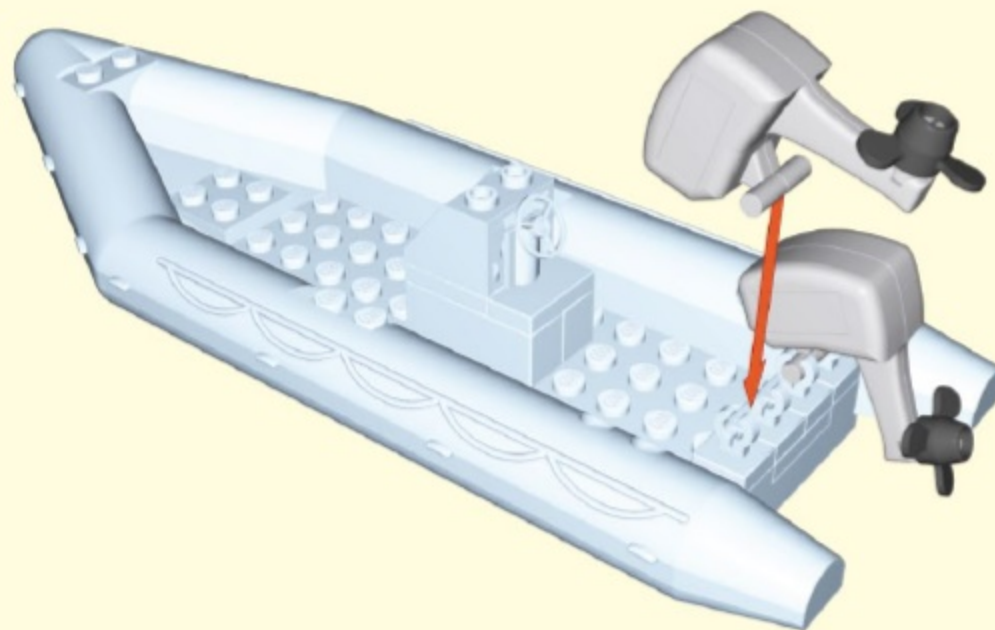


x1

[WWW.COBI.EU](http://WWW.COBI.EU)

03-24253-228

34



x2



x2



x2



x2