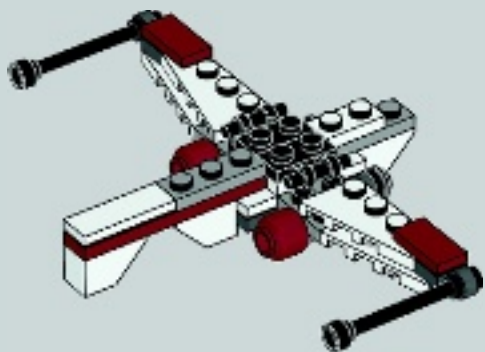
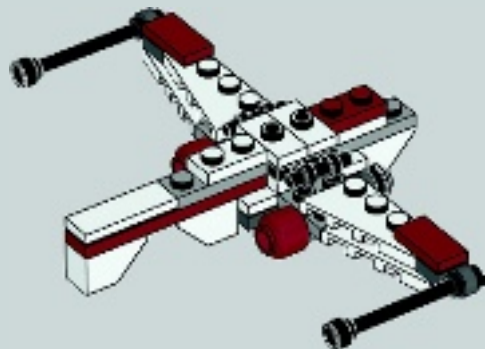


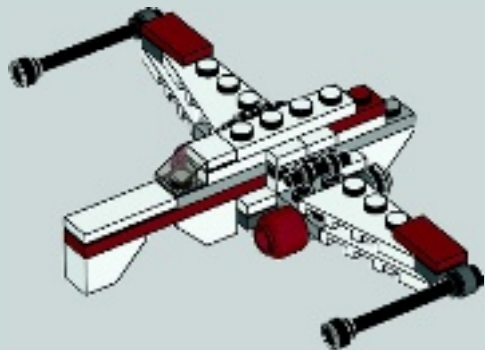
12



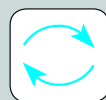
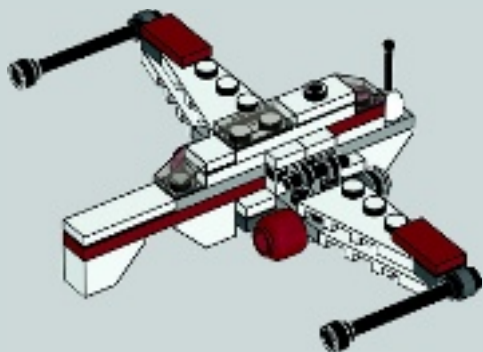
13



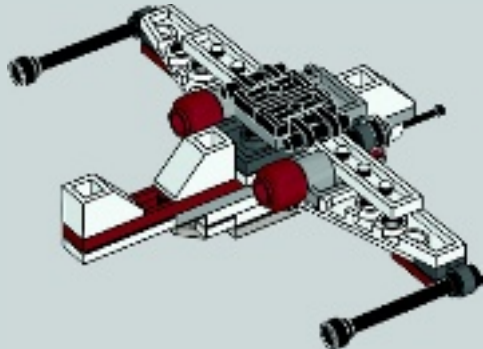
14



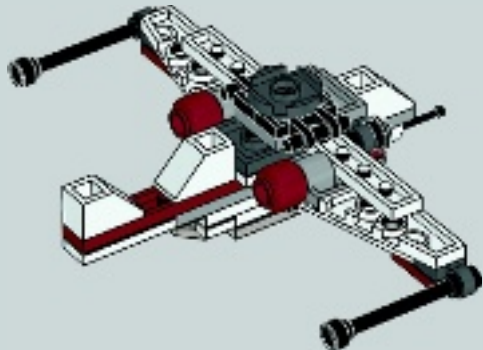
15



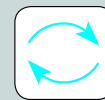
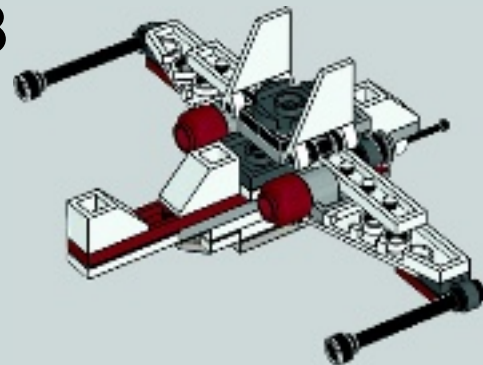
16



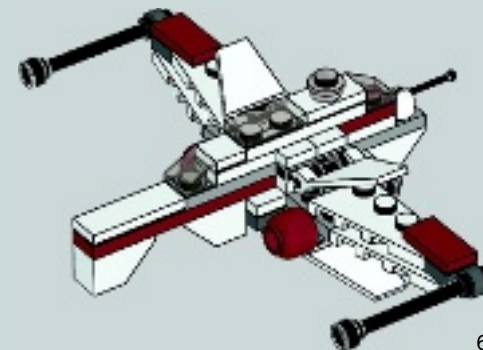
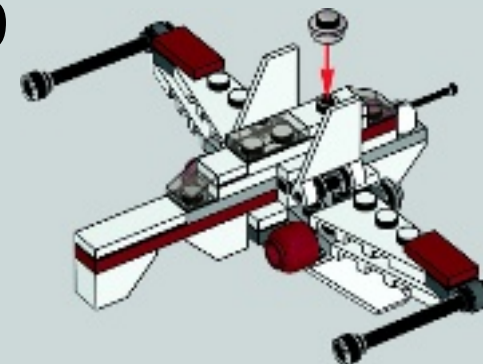
17



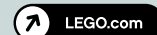
18



19



6073831



LEGO.com/club LEGO.com/service

LEGO and the LEGO logo are trademarks of the/son des marques de commerce de/son marcas registradas de LEGO Group. ©2014 The LEGO Group. © 2014 Lucasfilm Ltd. & TM. All rights reserved./Tous droits réservés./Todos los derechos reservados.