



STAR WARS

4484

MINI BUILDING SET



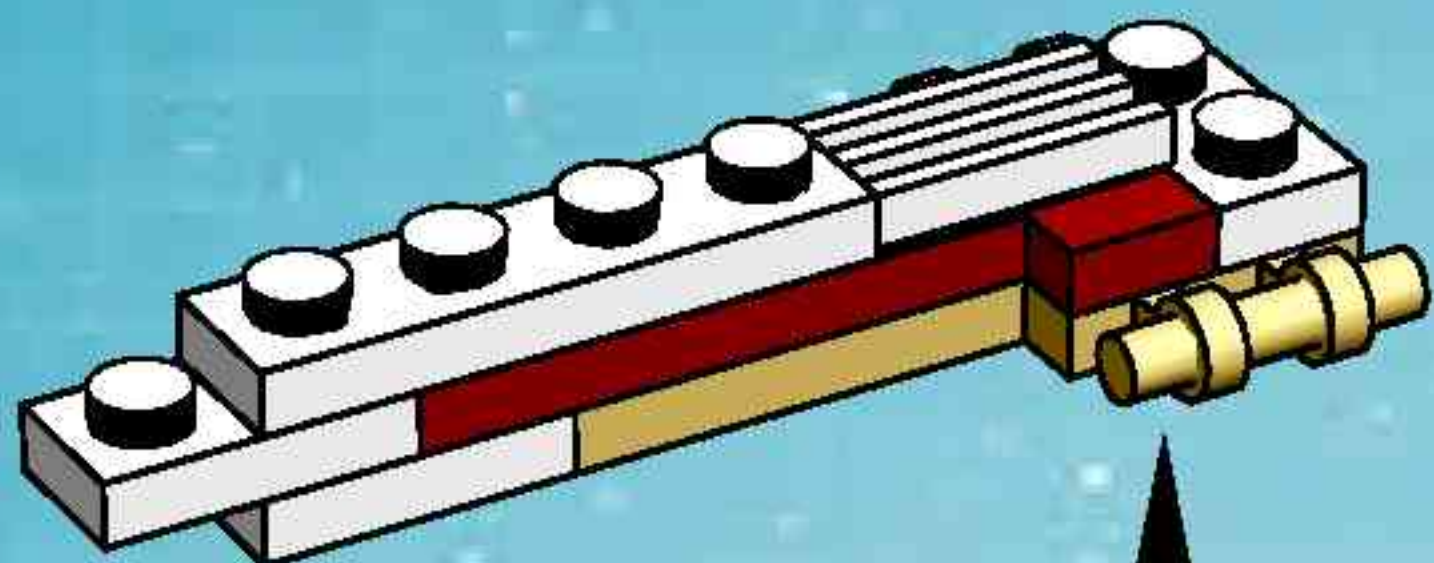
X-wing™ Fighter



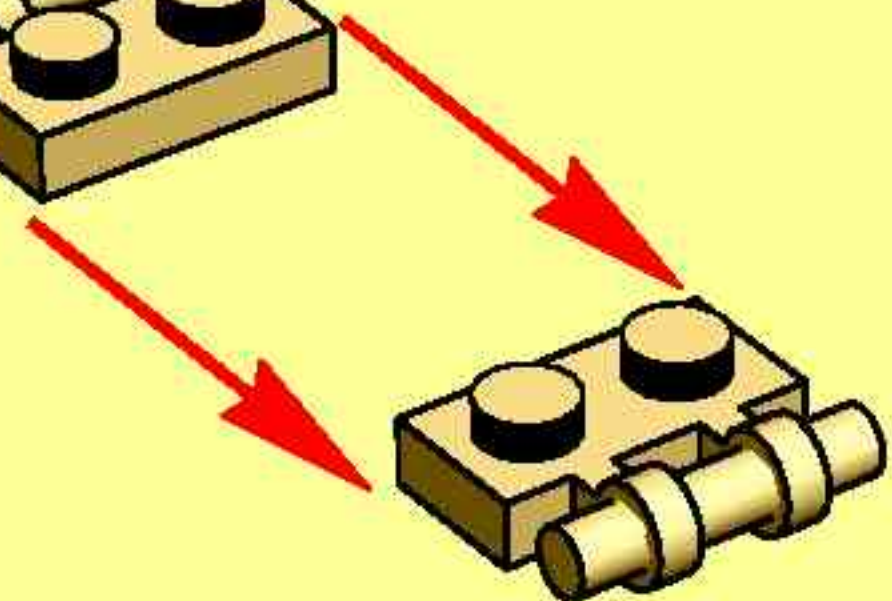
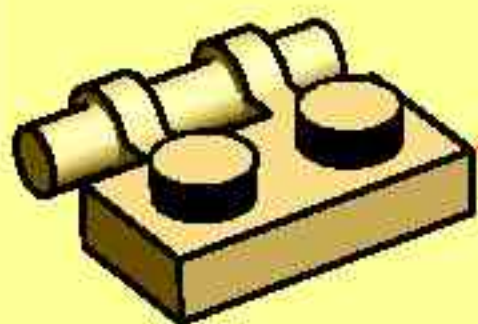
TIE Advanced™

MINI

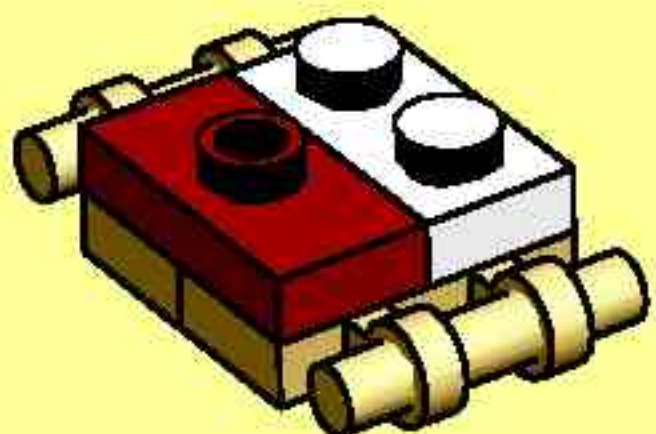
4



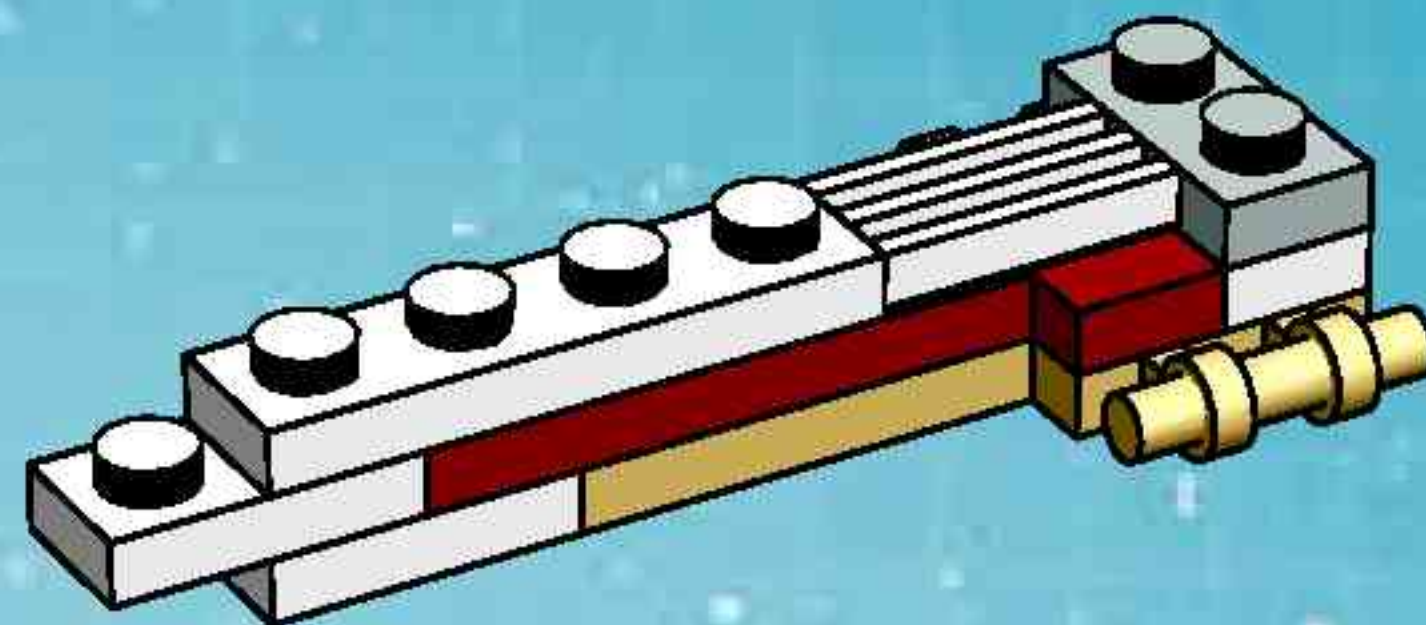
1



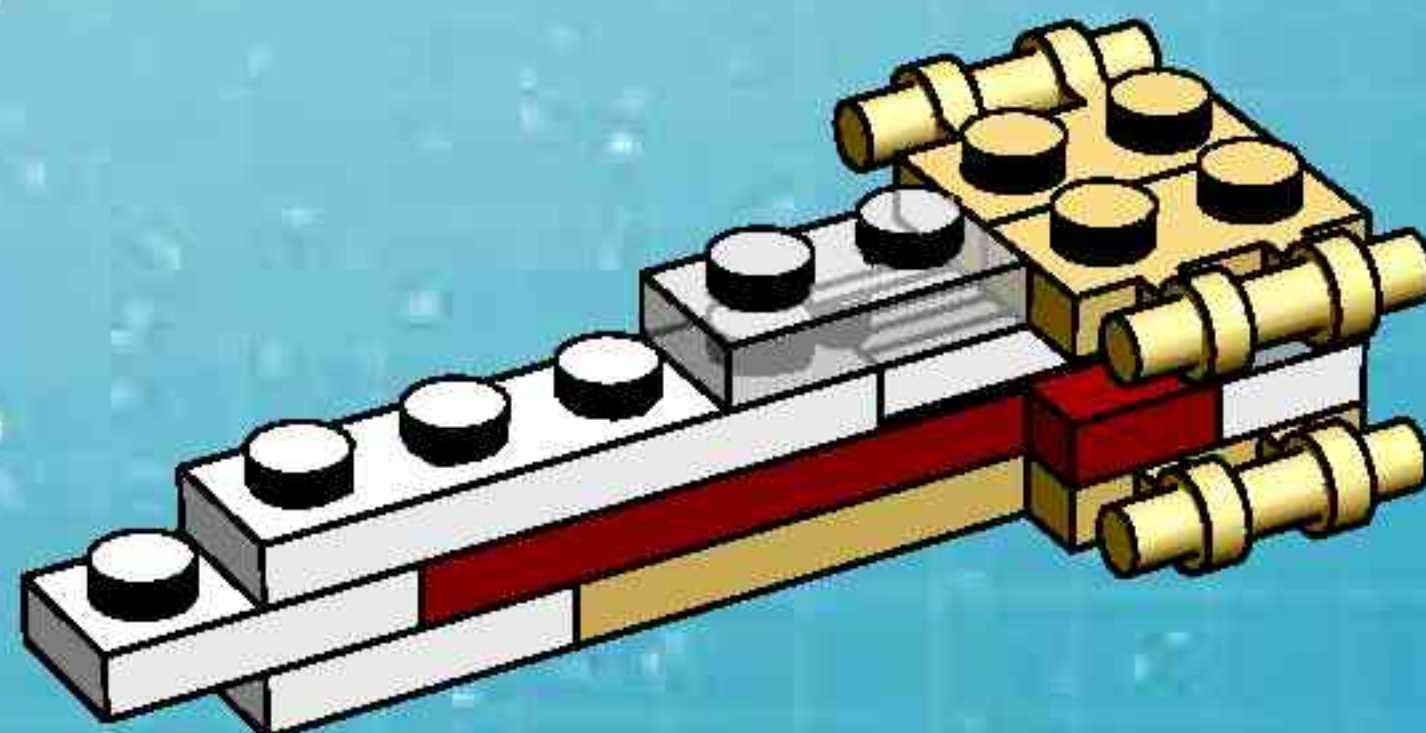
2



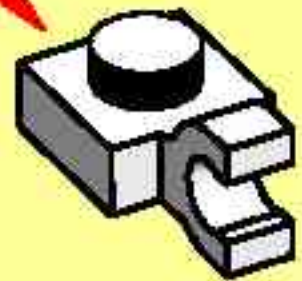
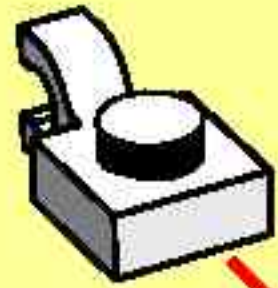
5



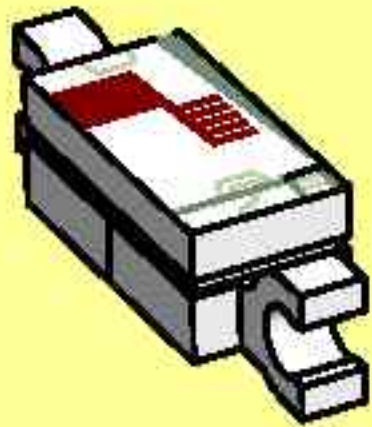
6



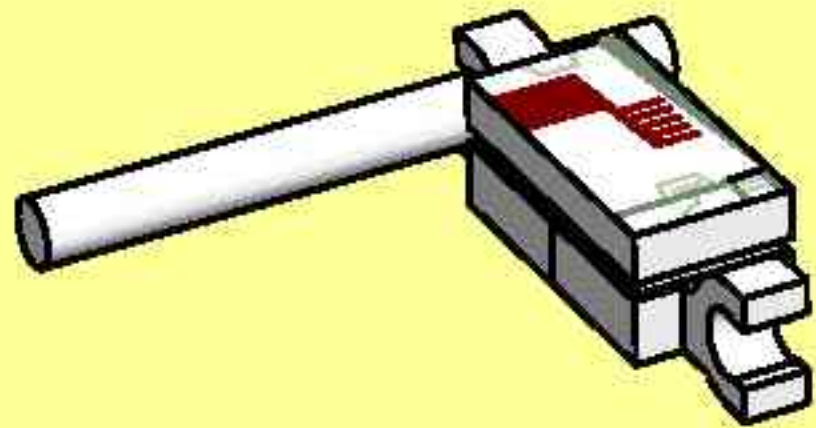
1



2

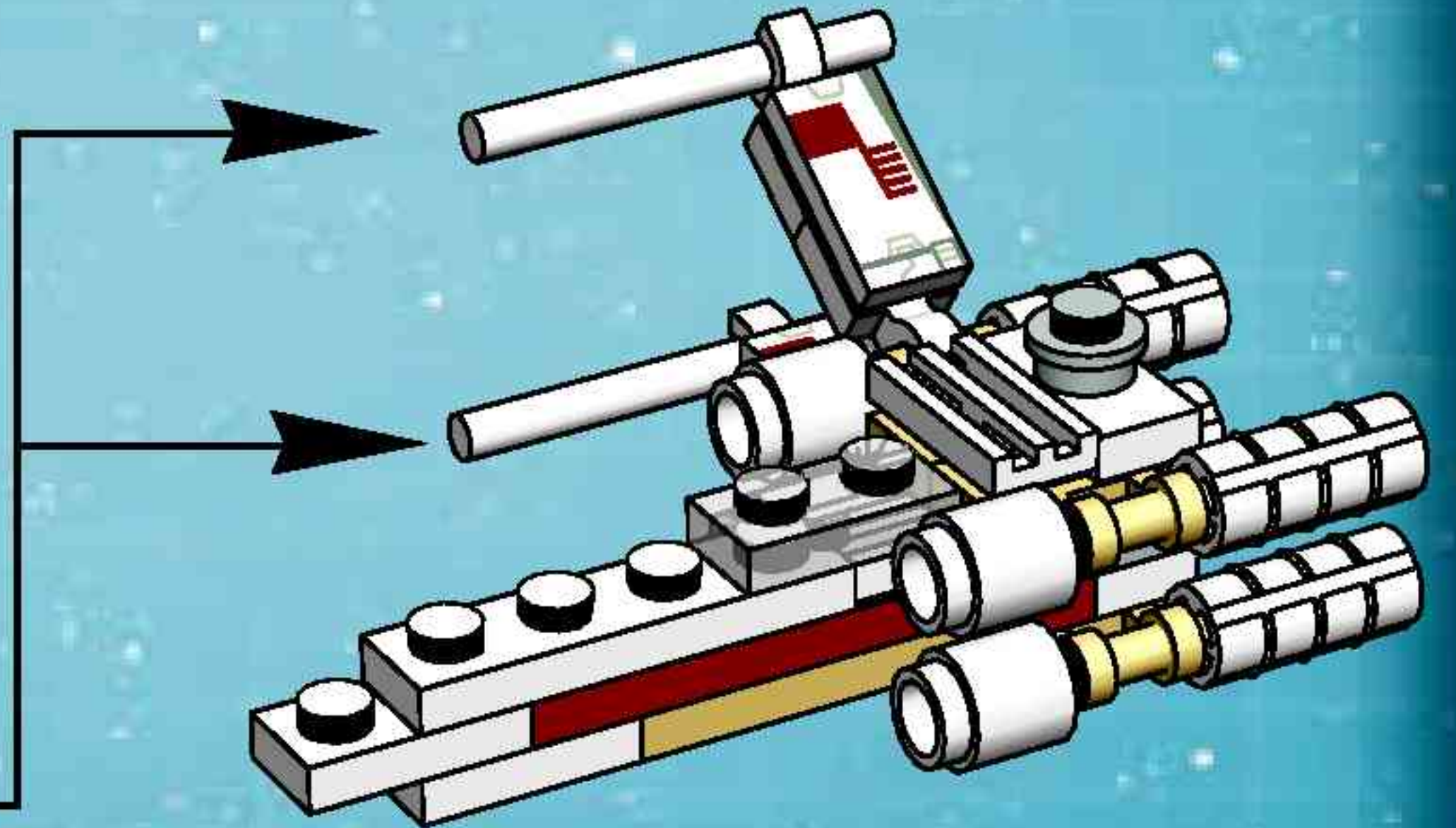


3

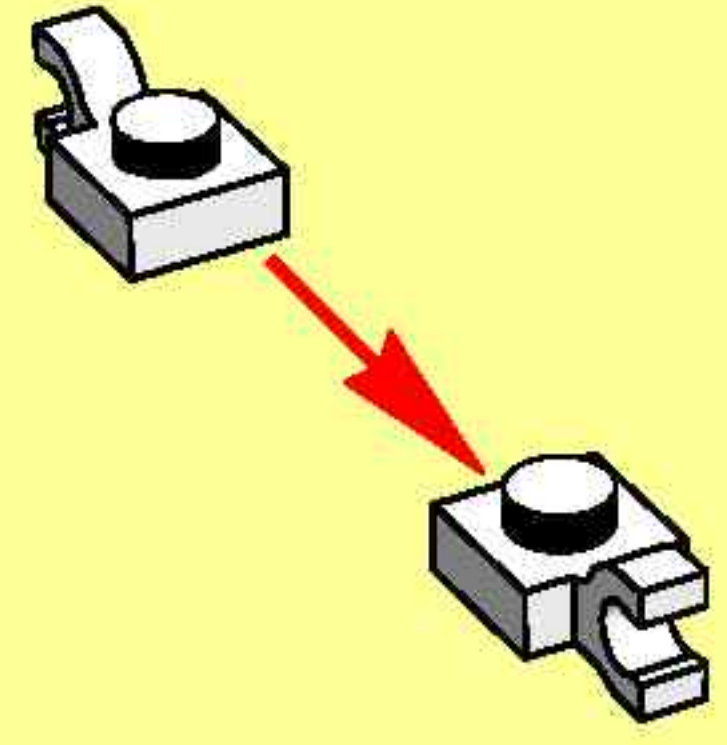


2x

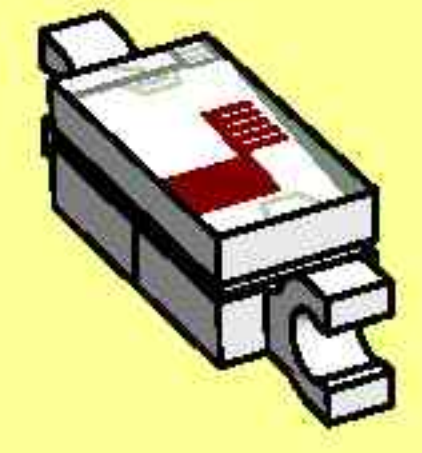
19



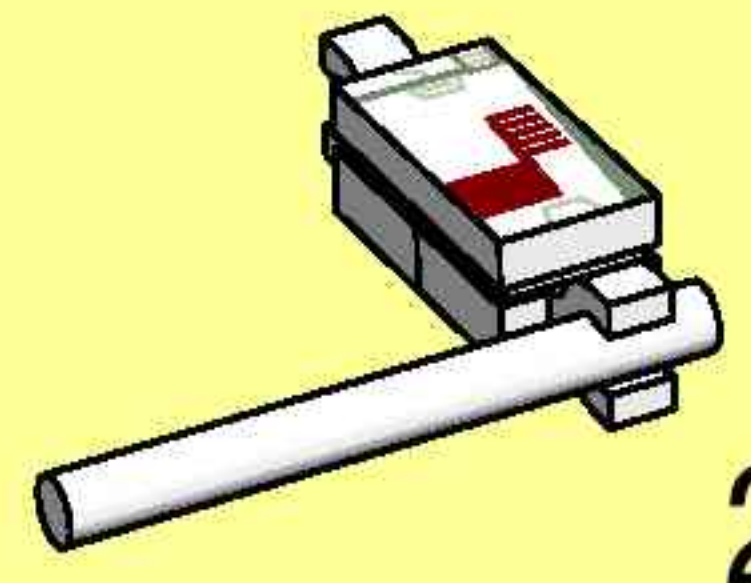
1



2

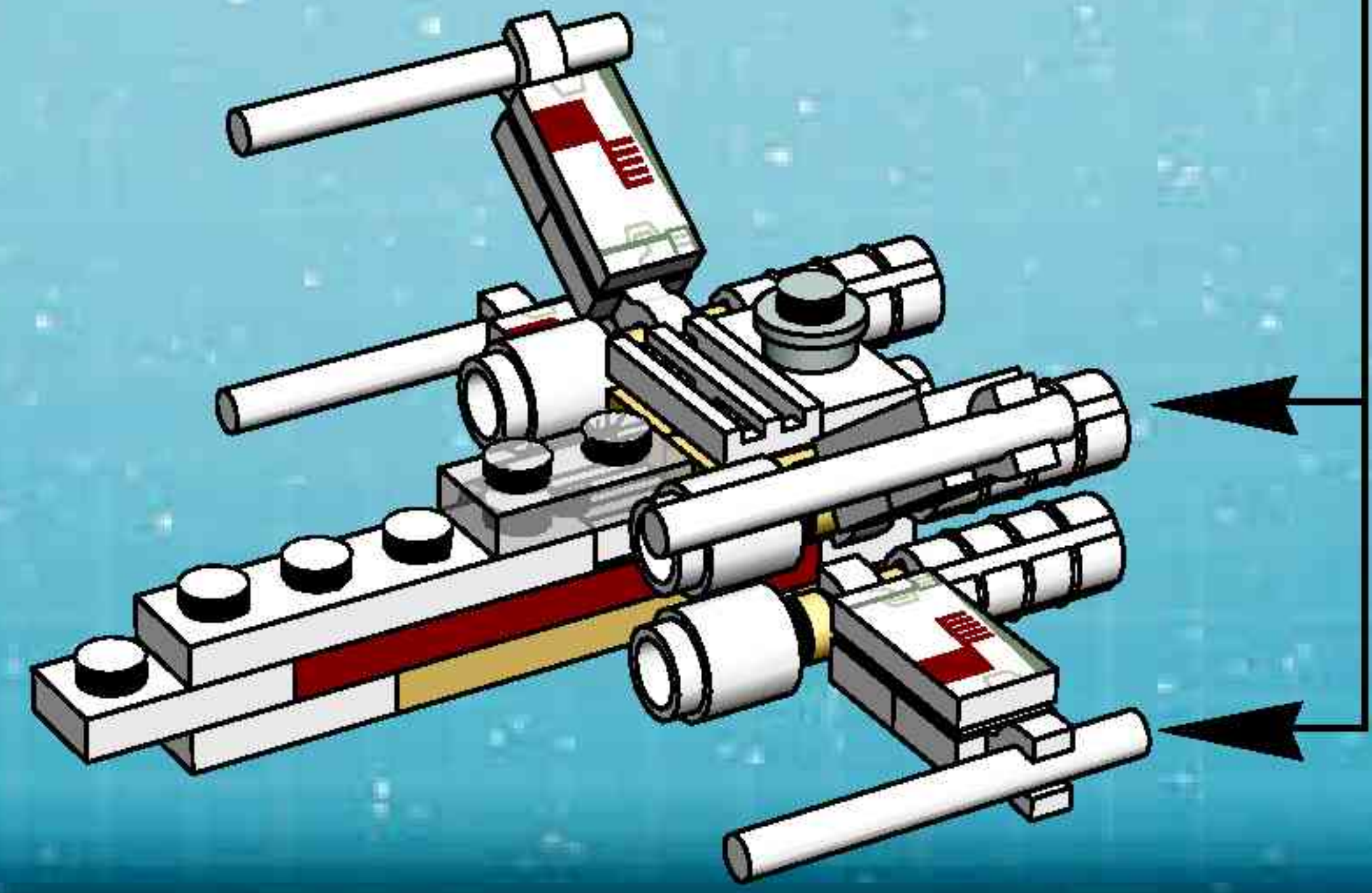


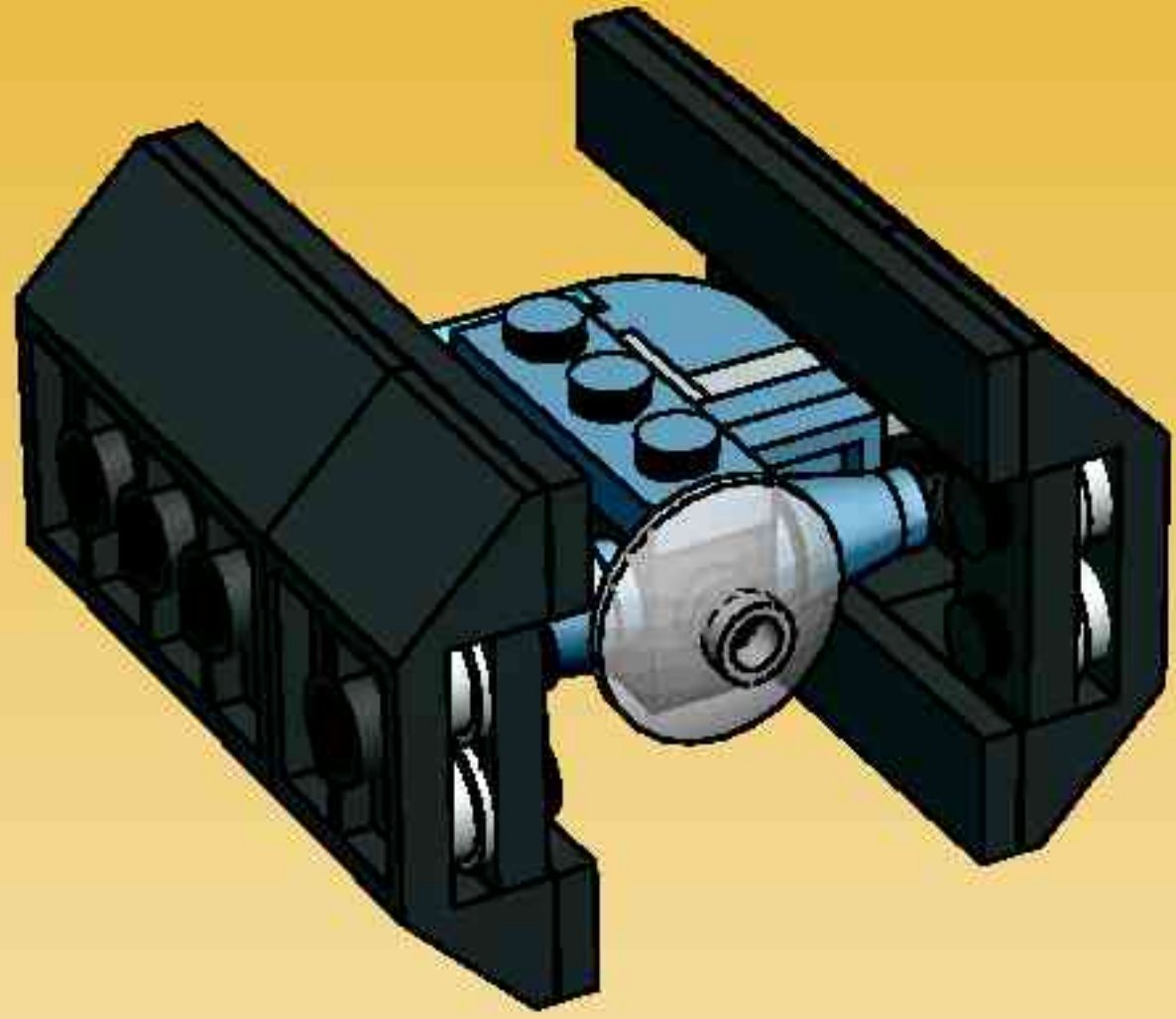
3



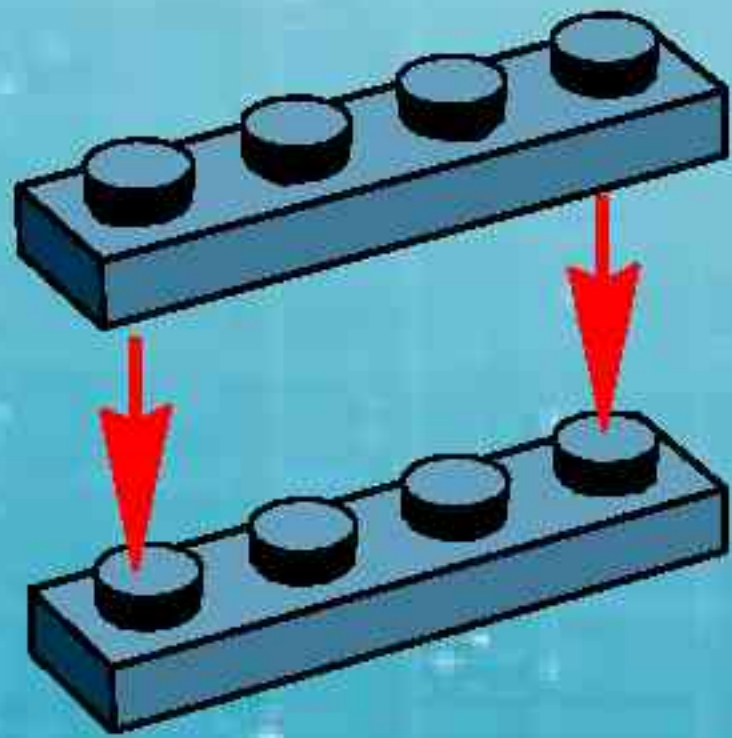
2x

10

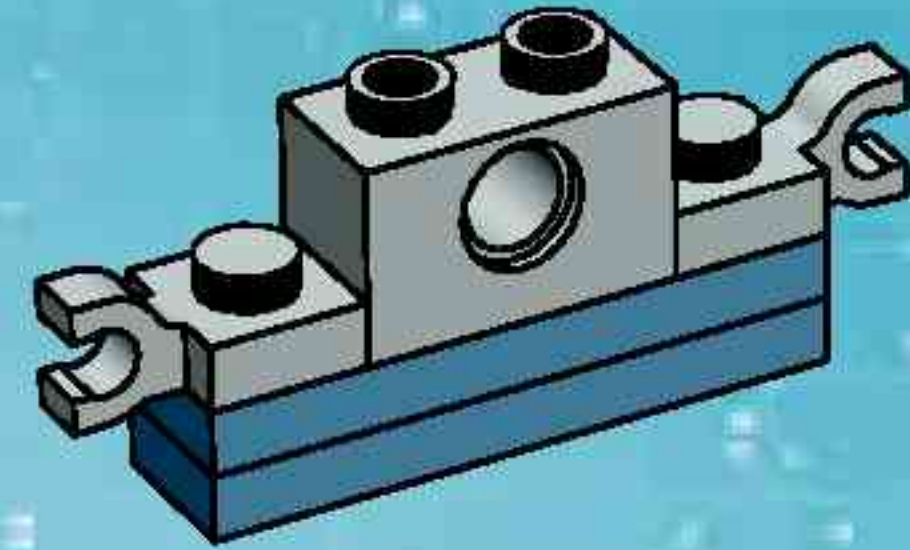




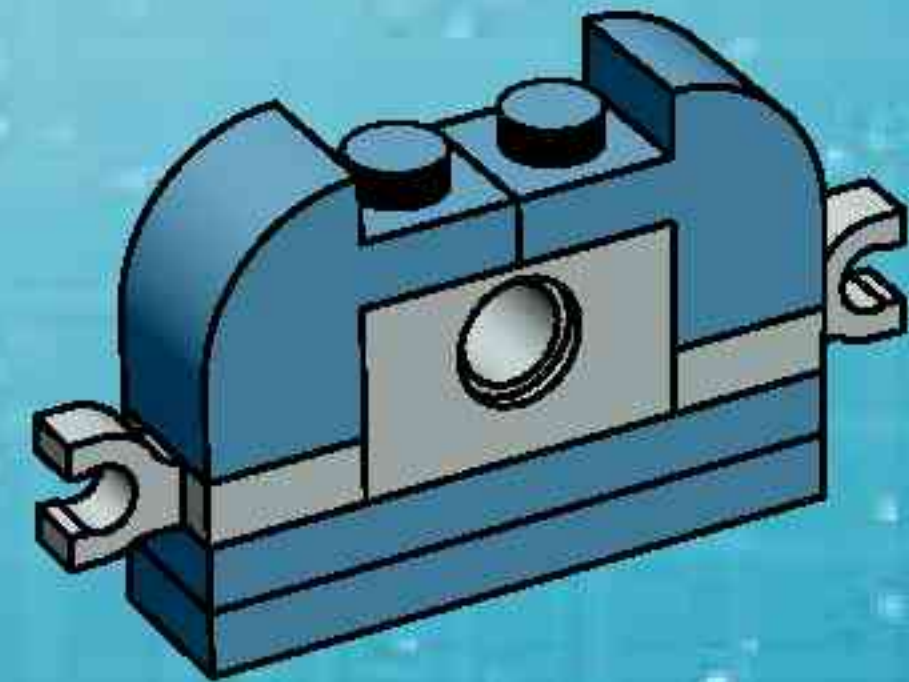
1



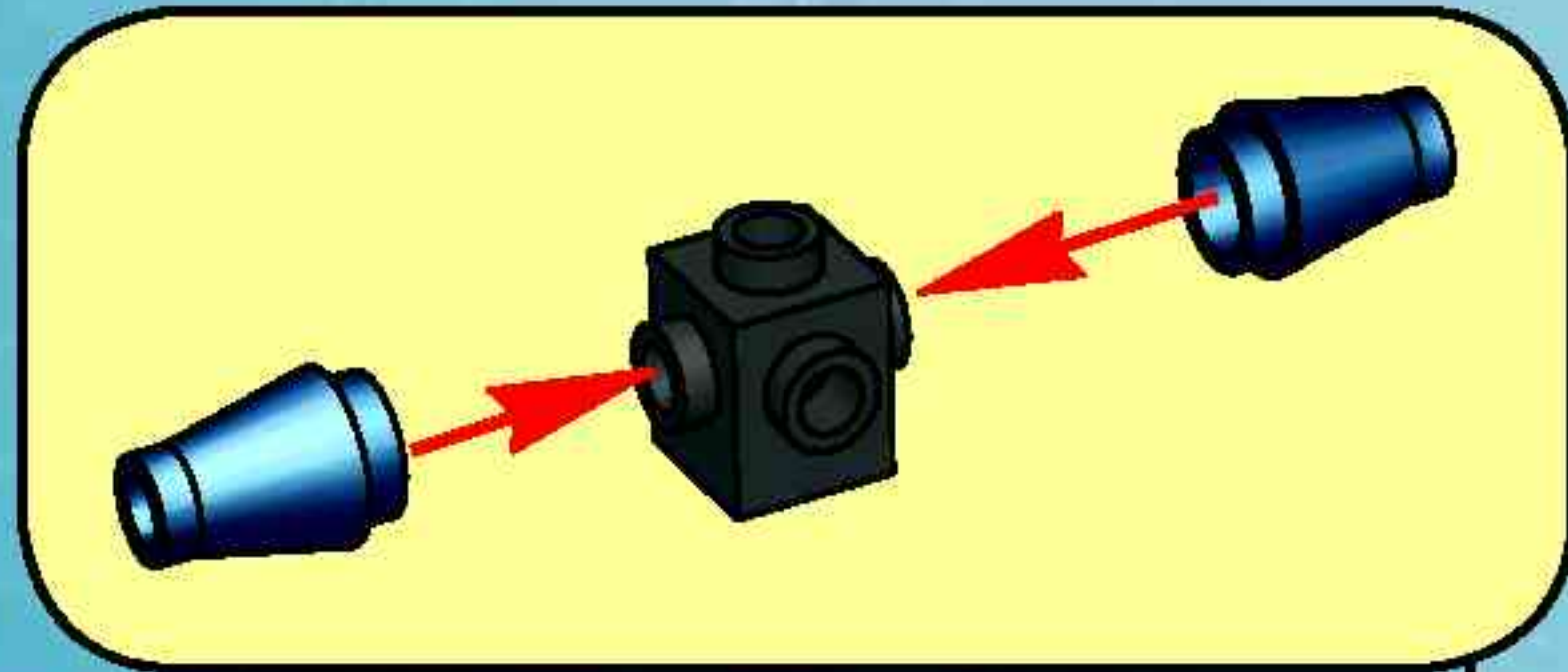
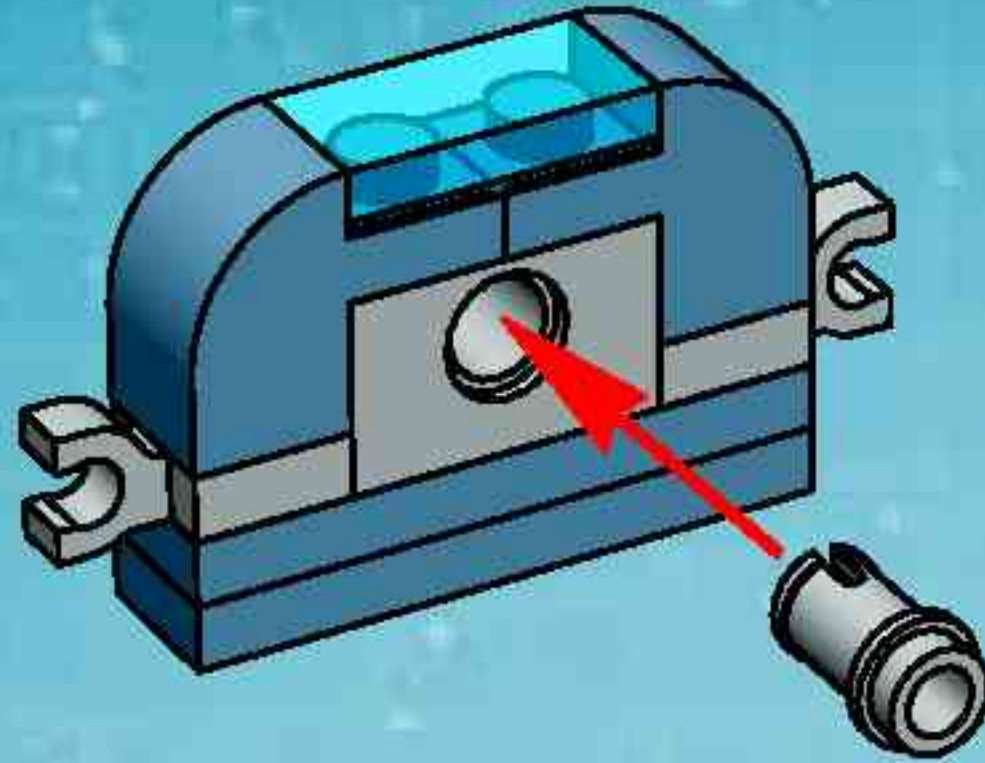
2



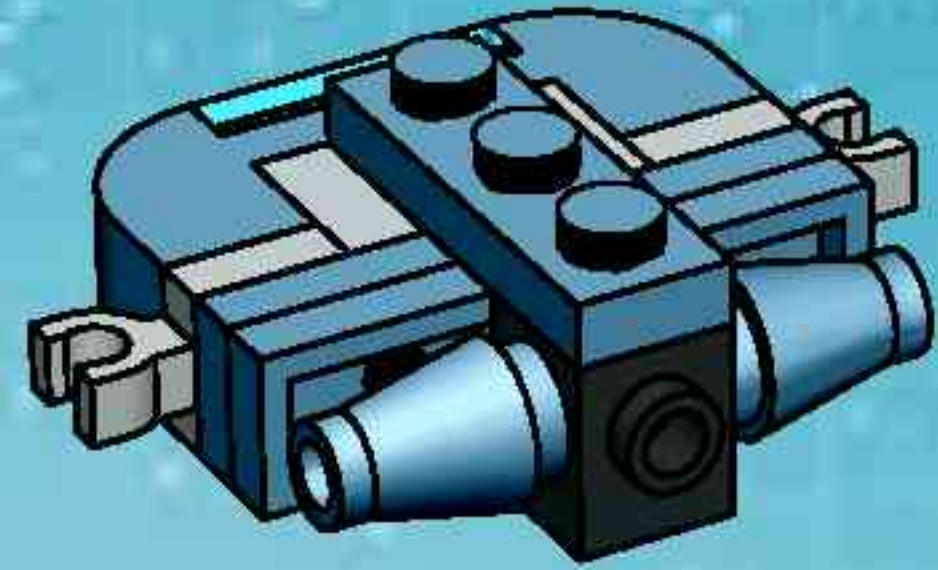
3



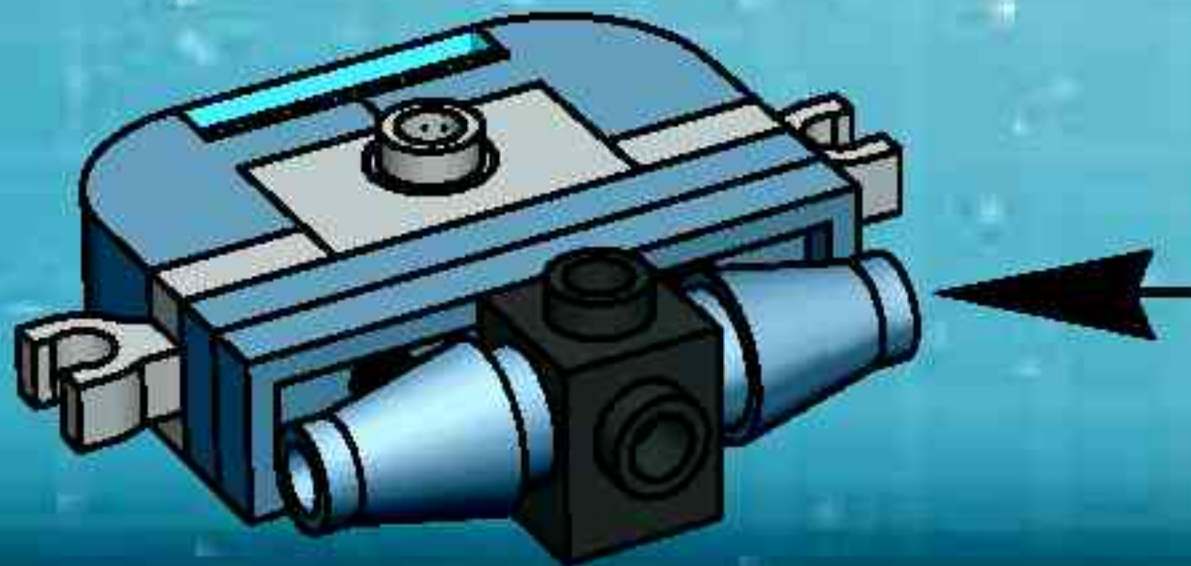
4



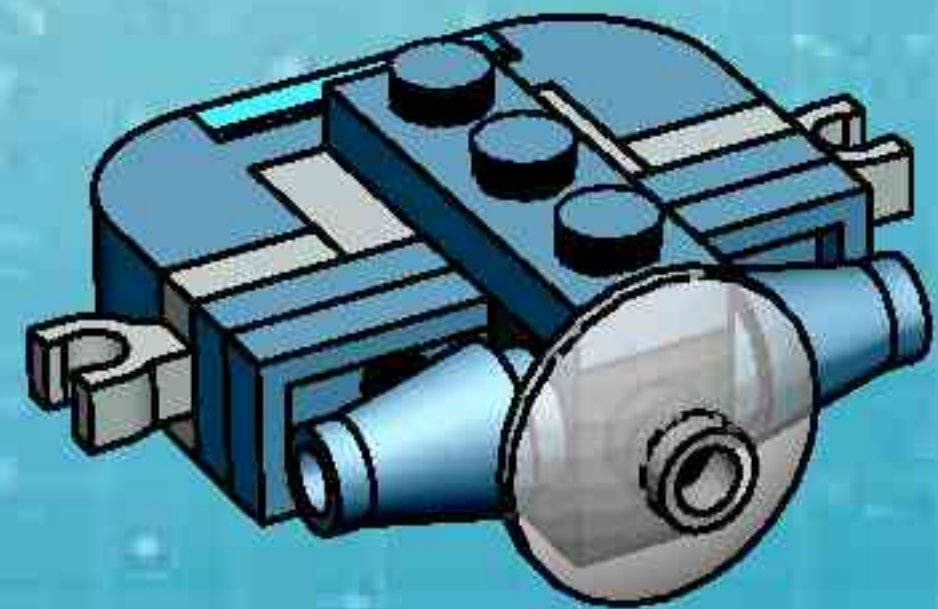
6



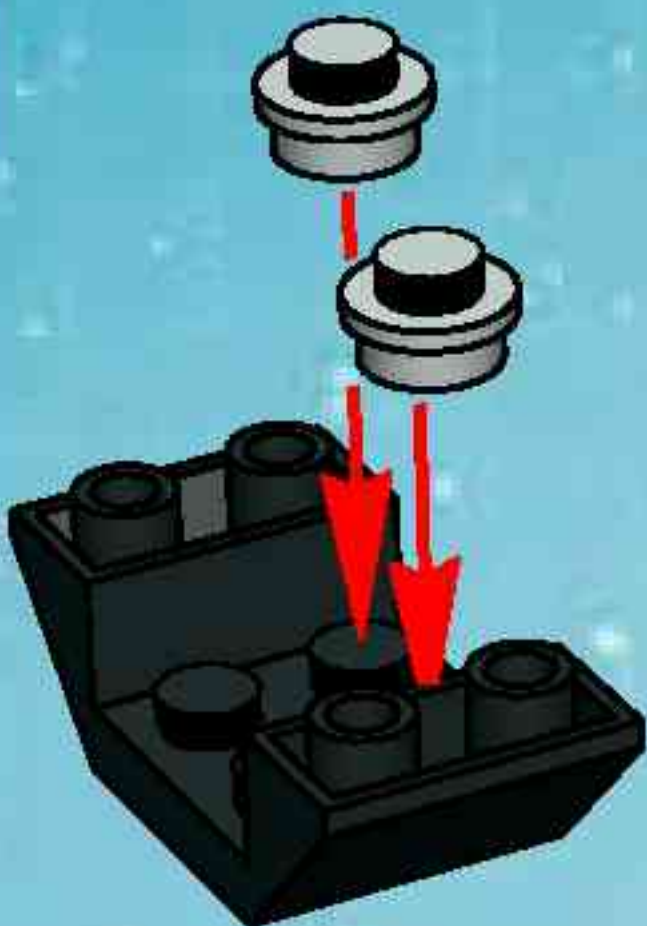
5



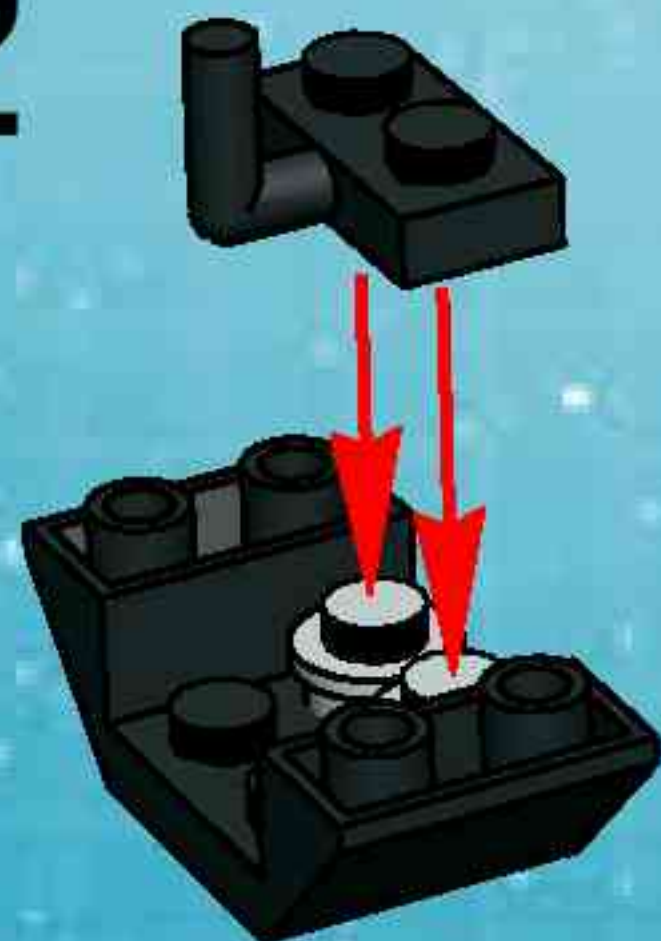
7



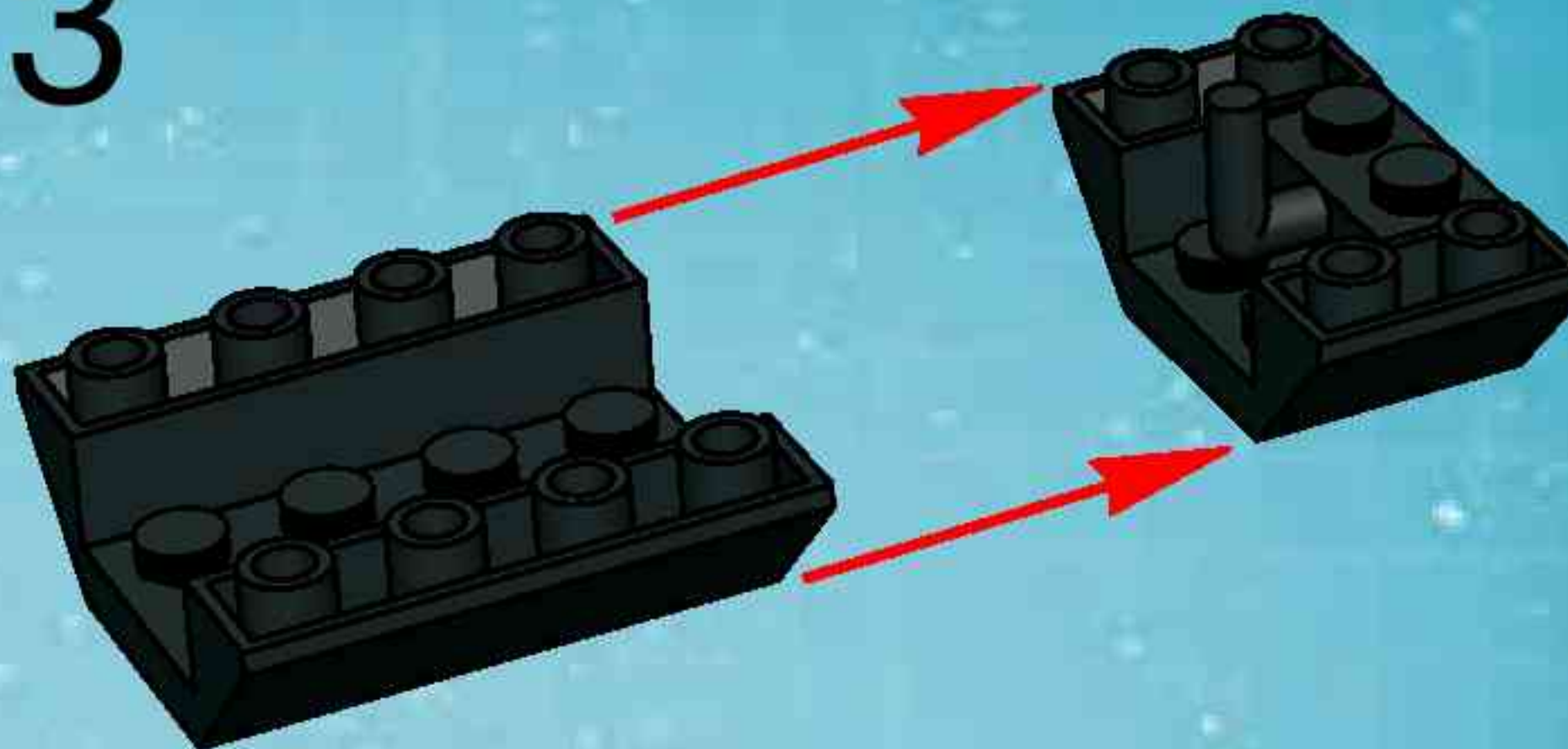
1



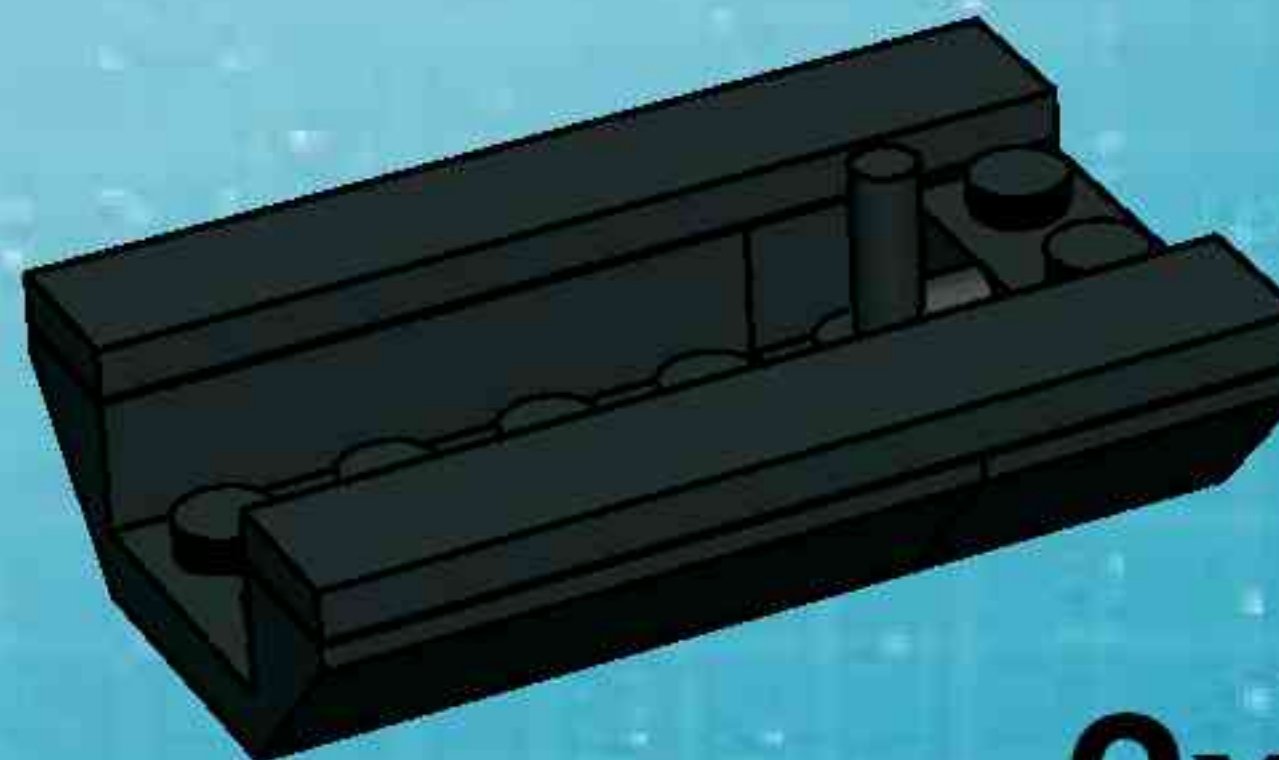
2



3

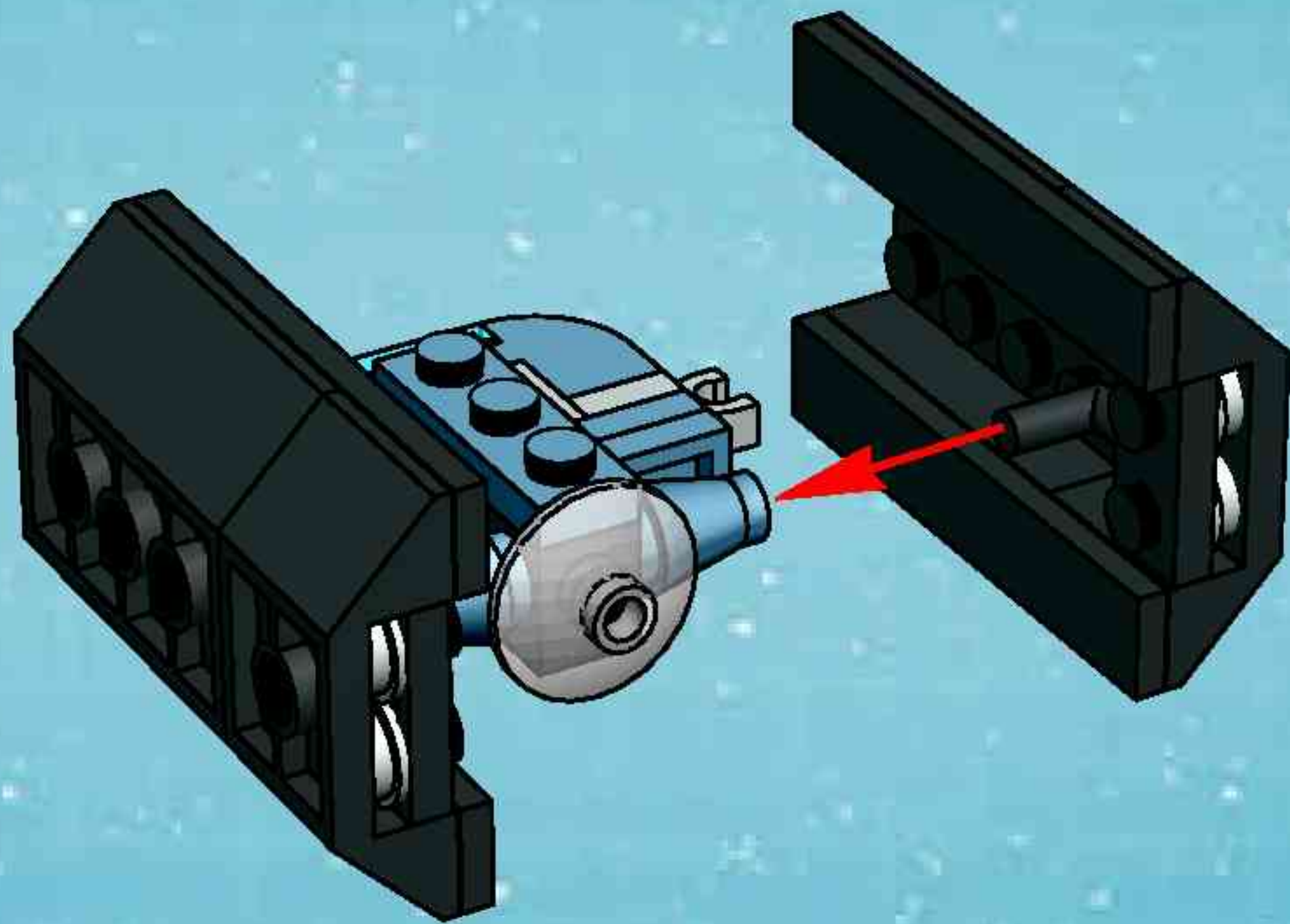


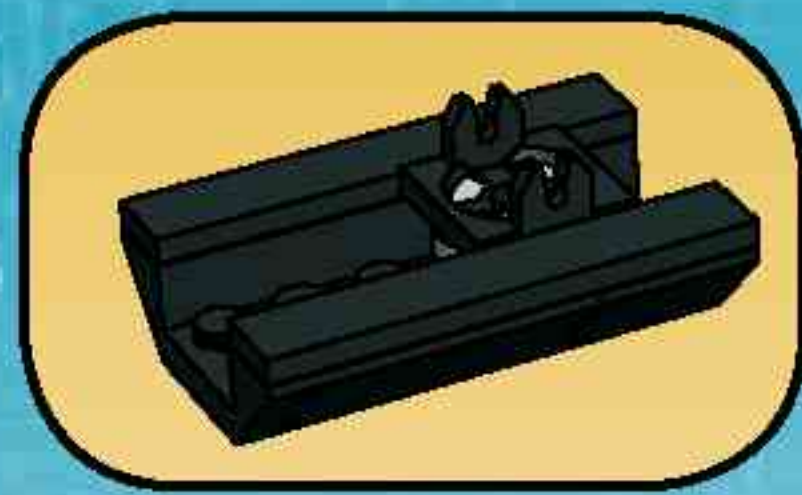
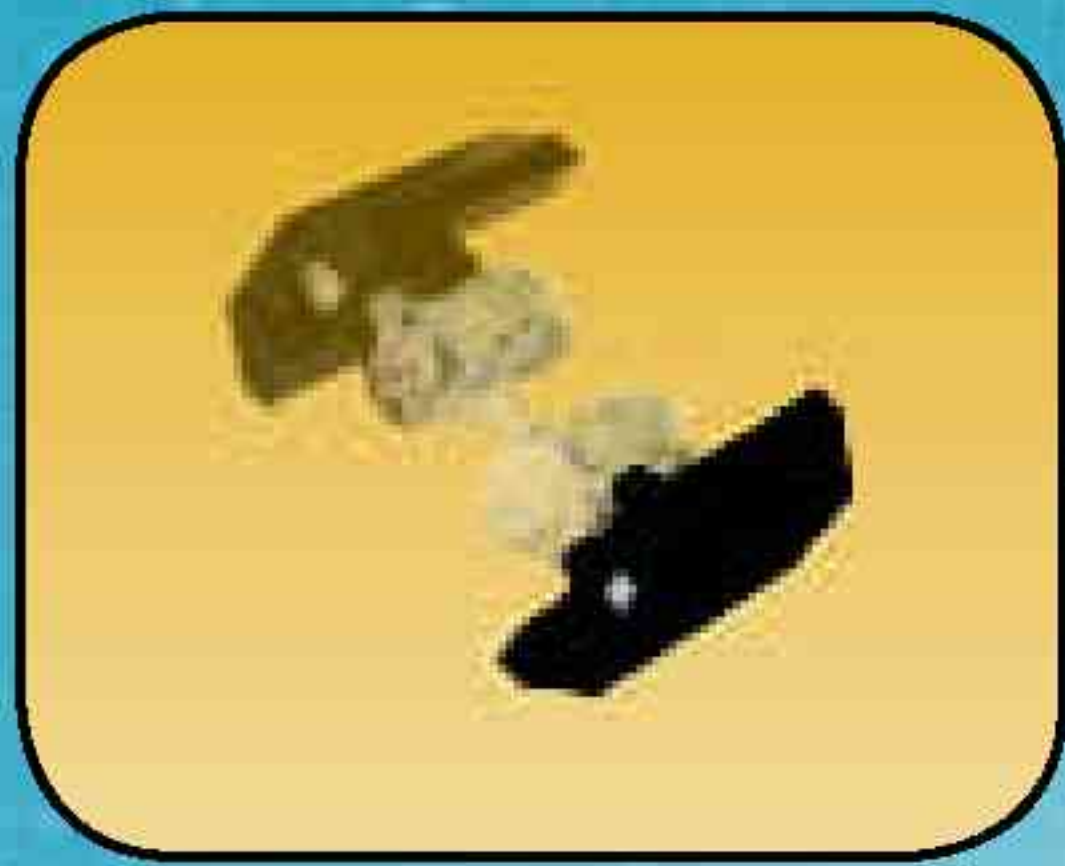
4



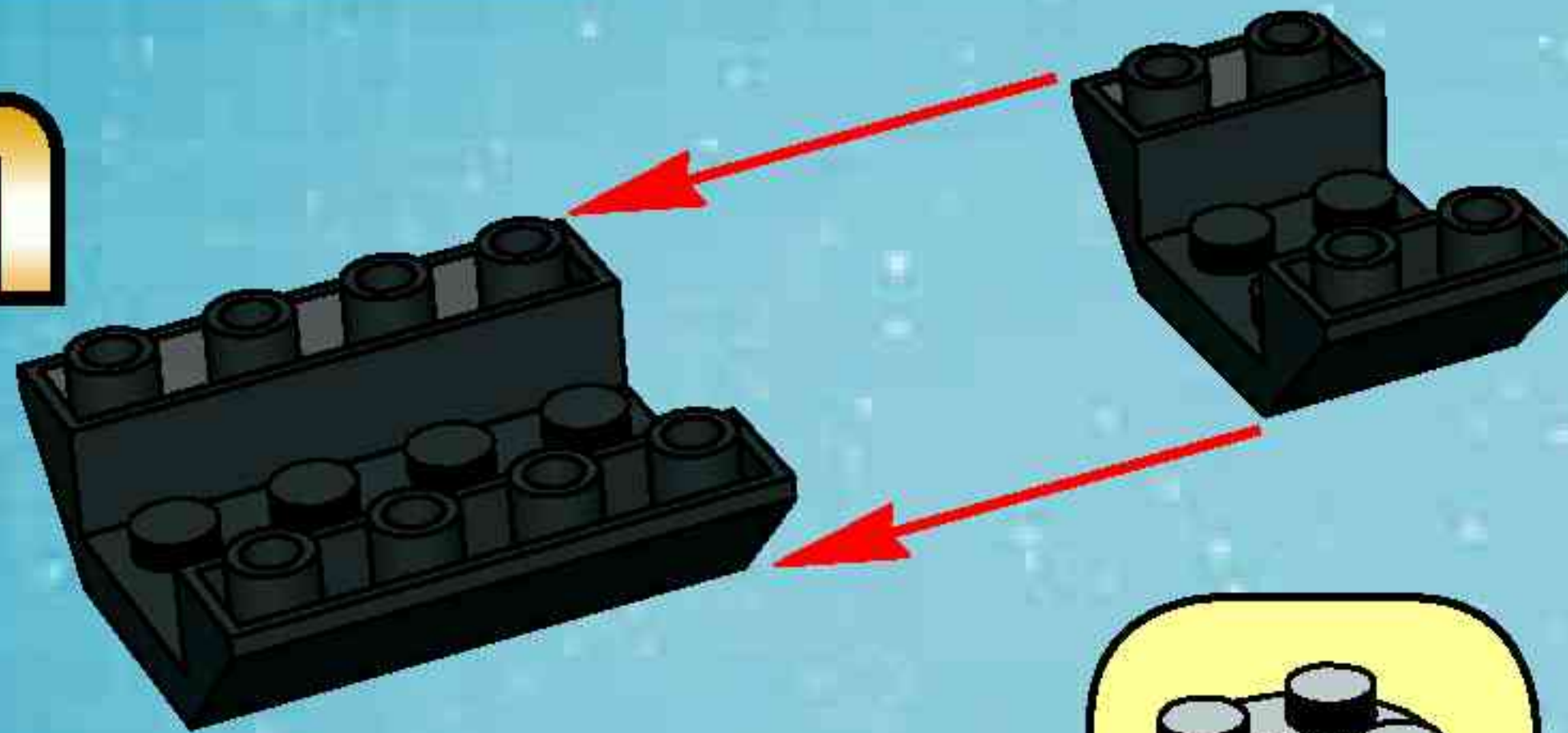
2x

8

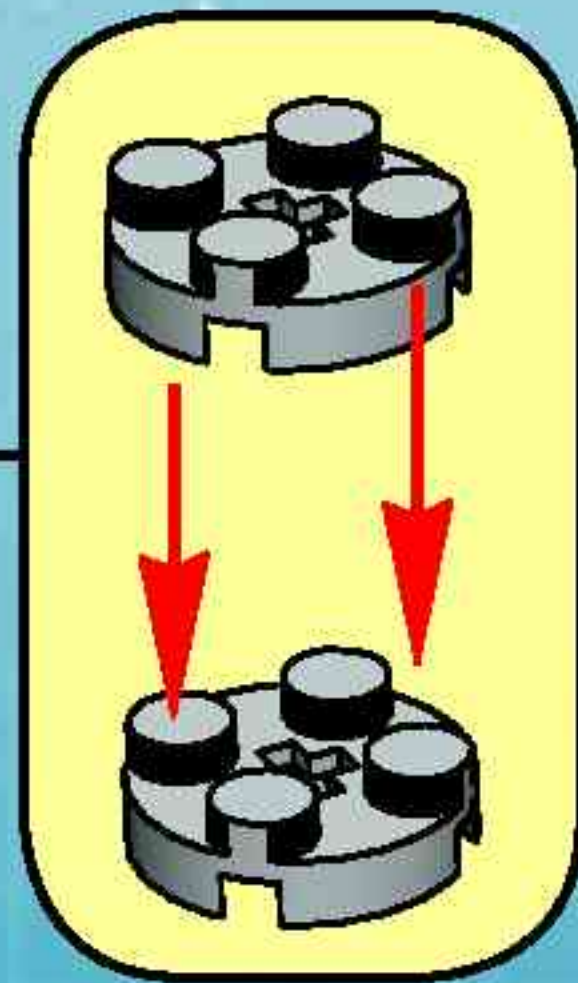
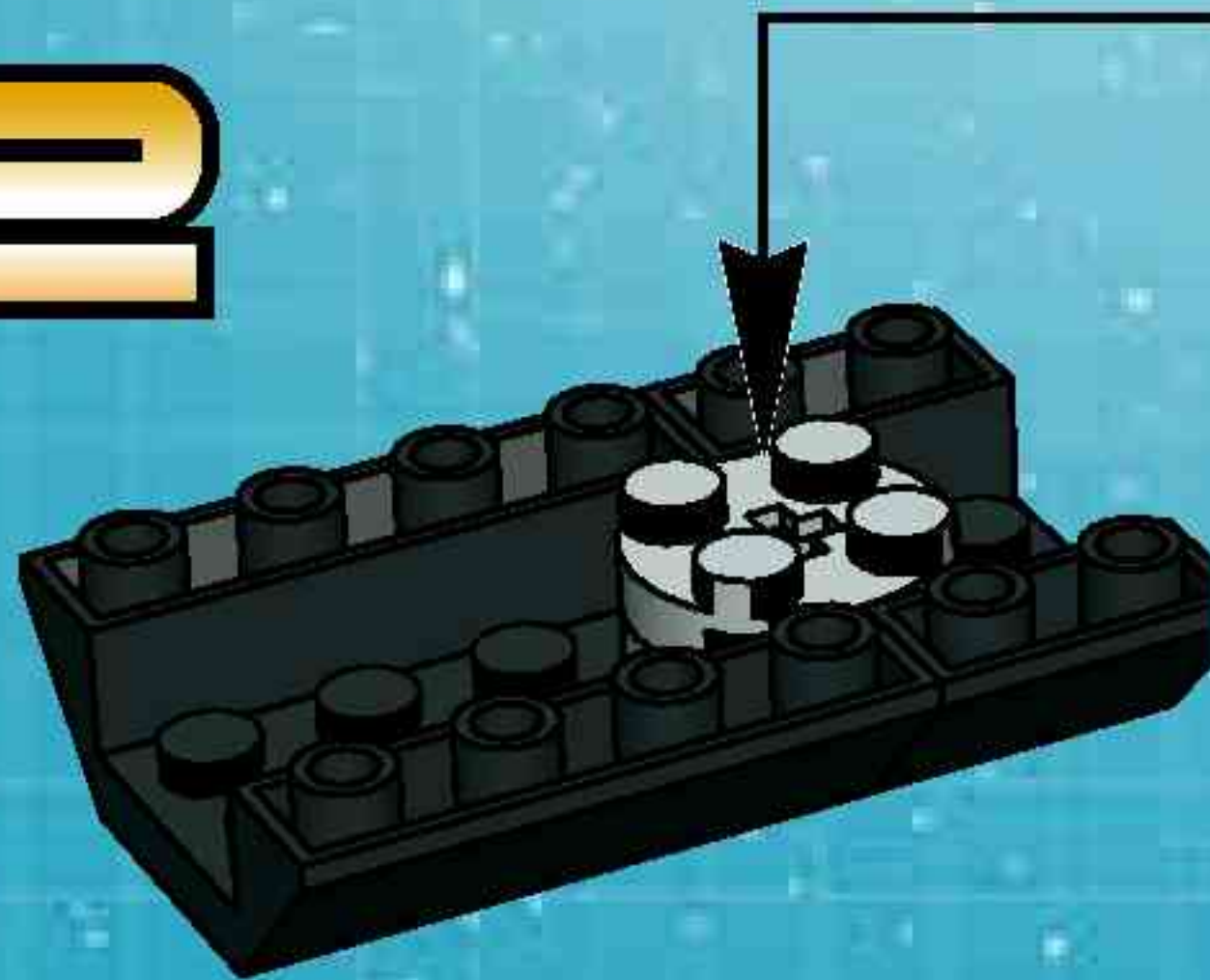




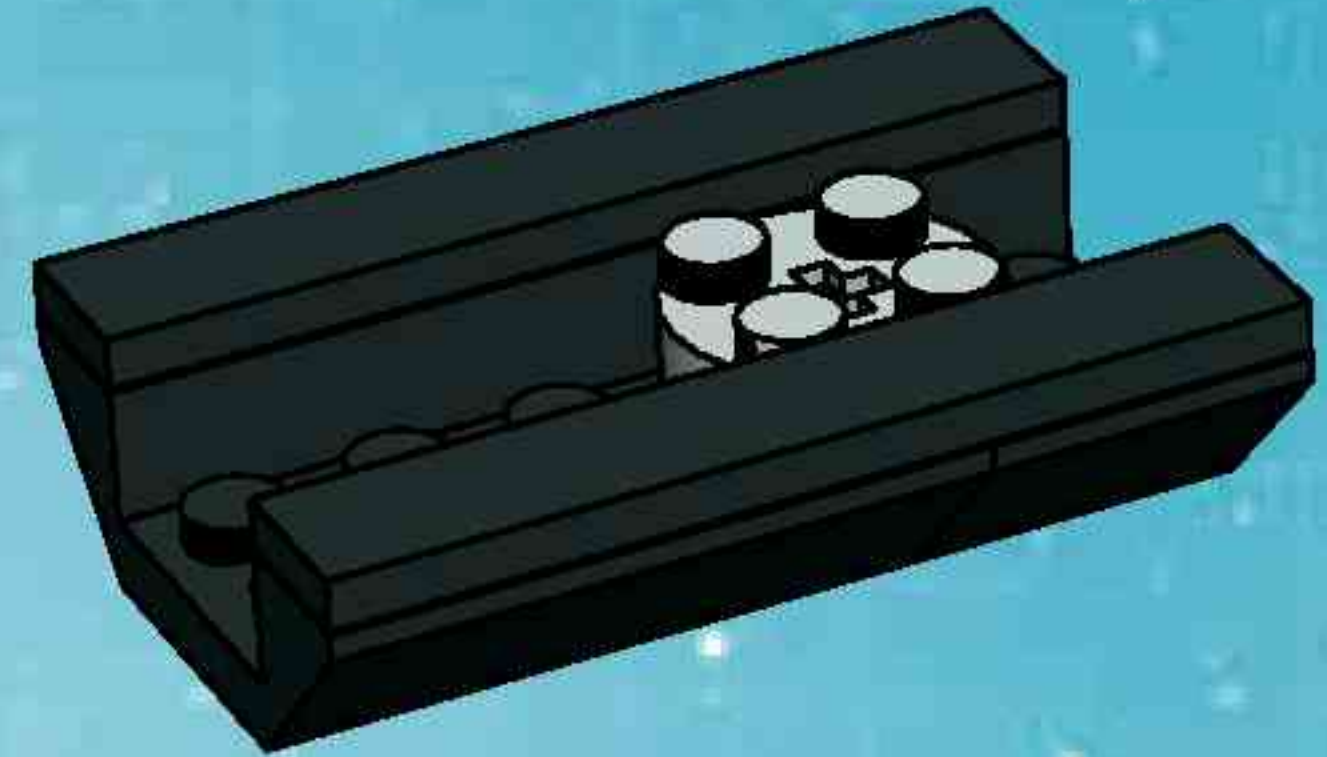
1



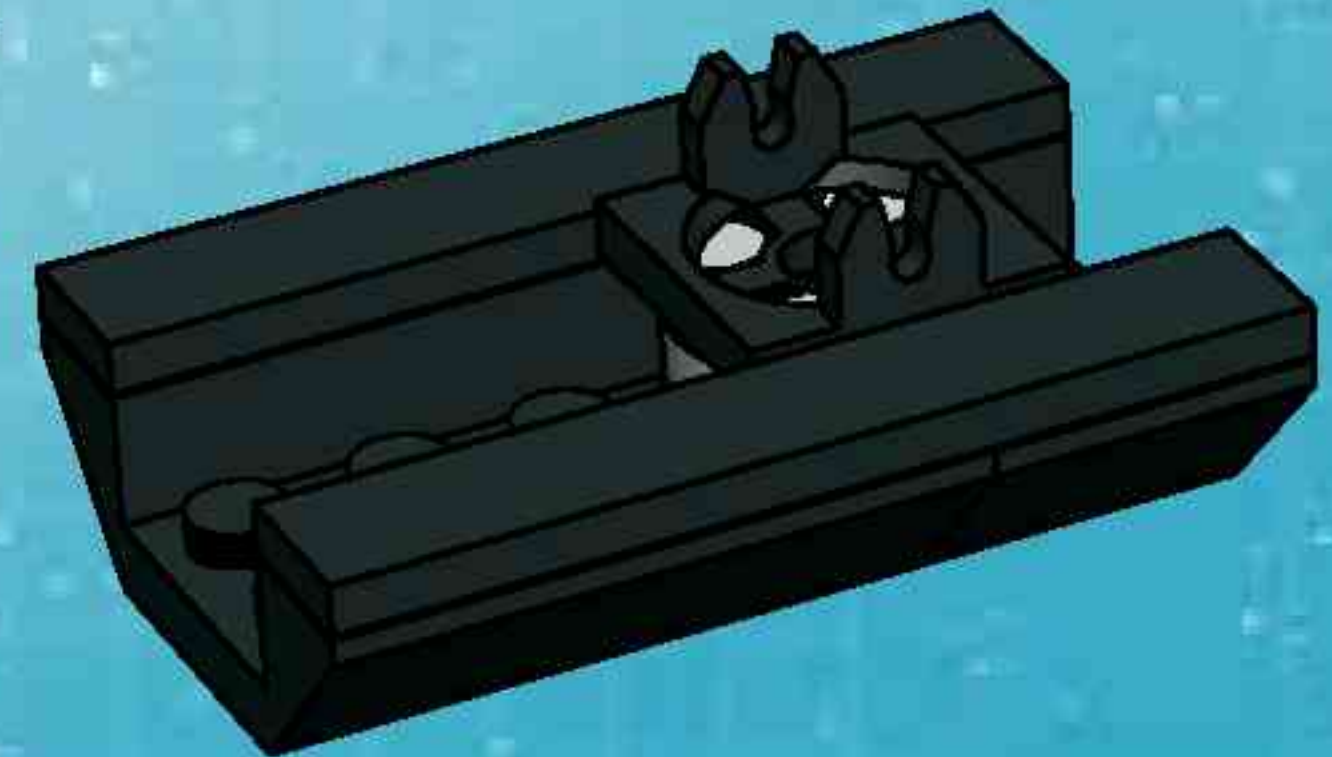
2

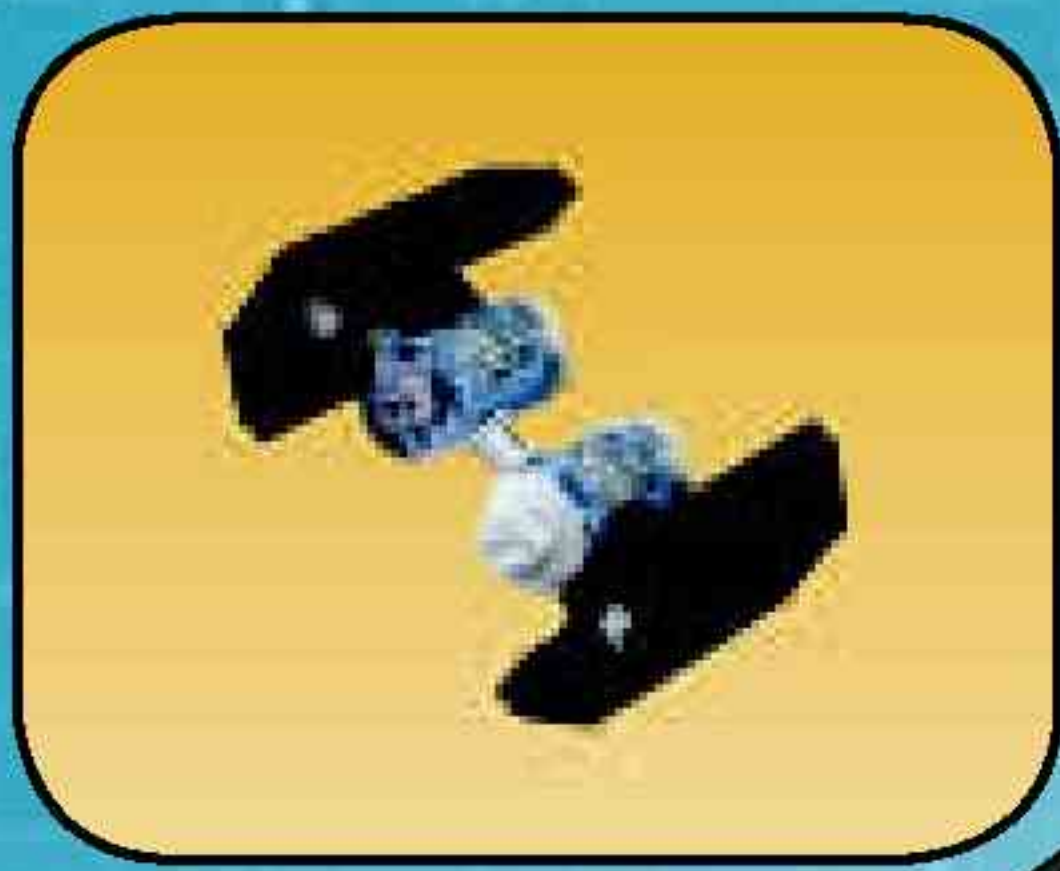


3

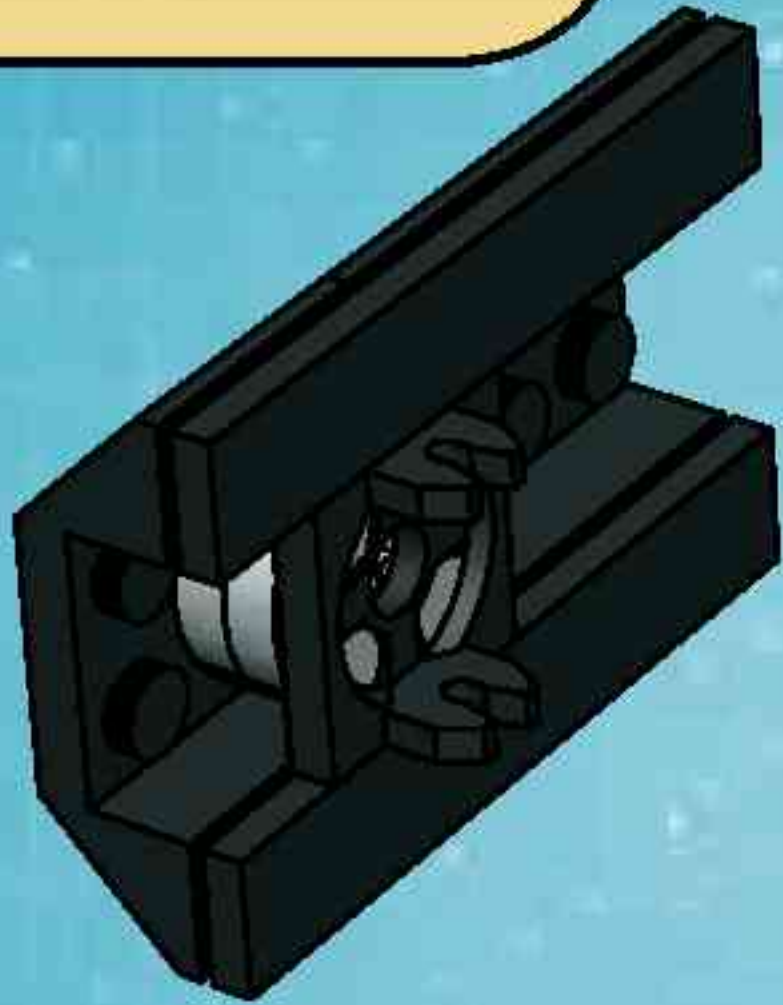


4

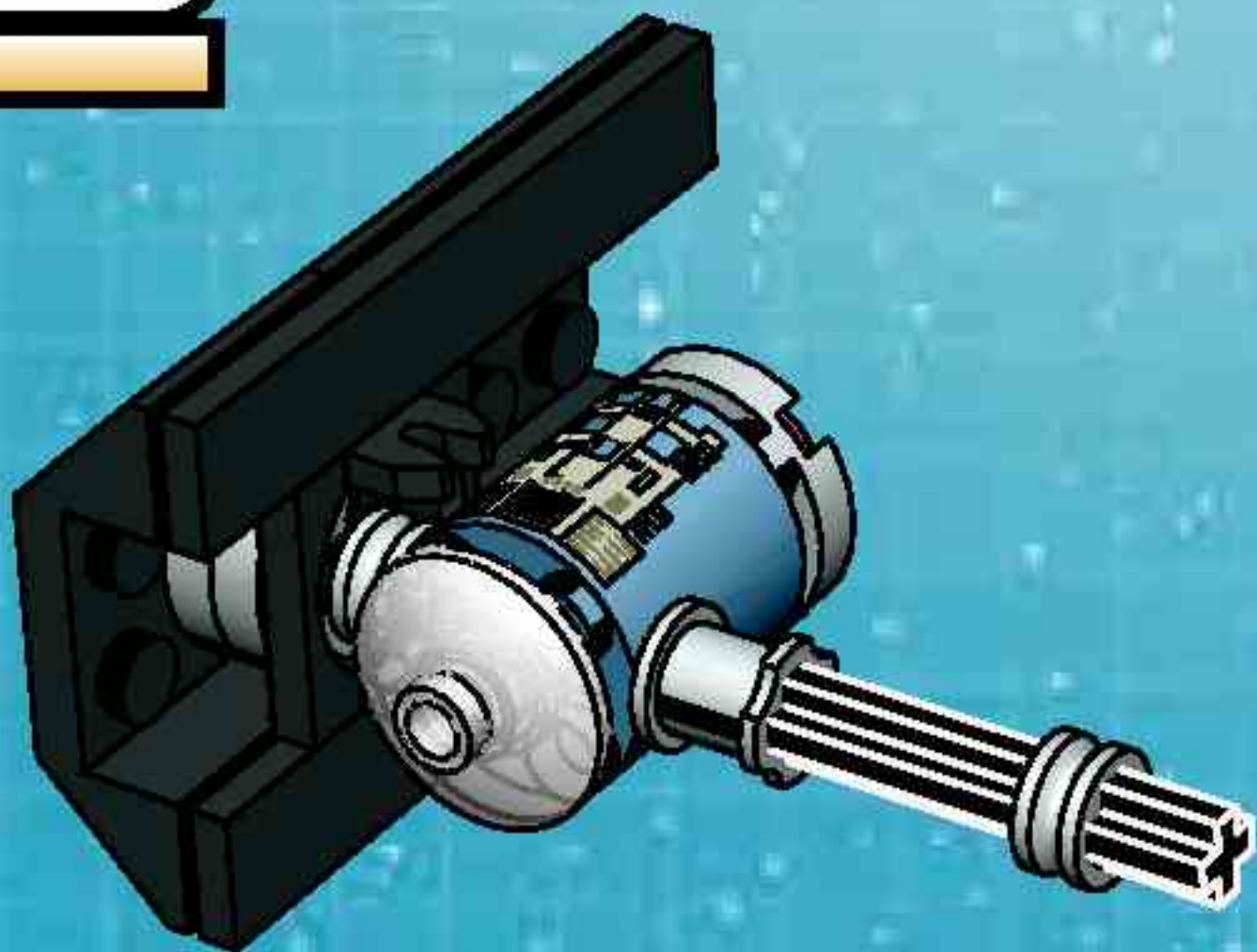




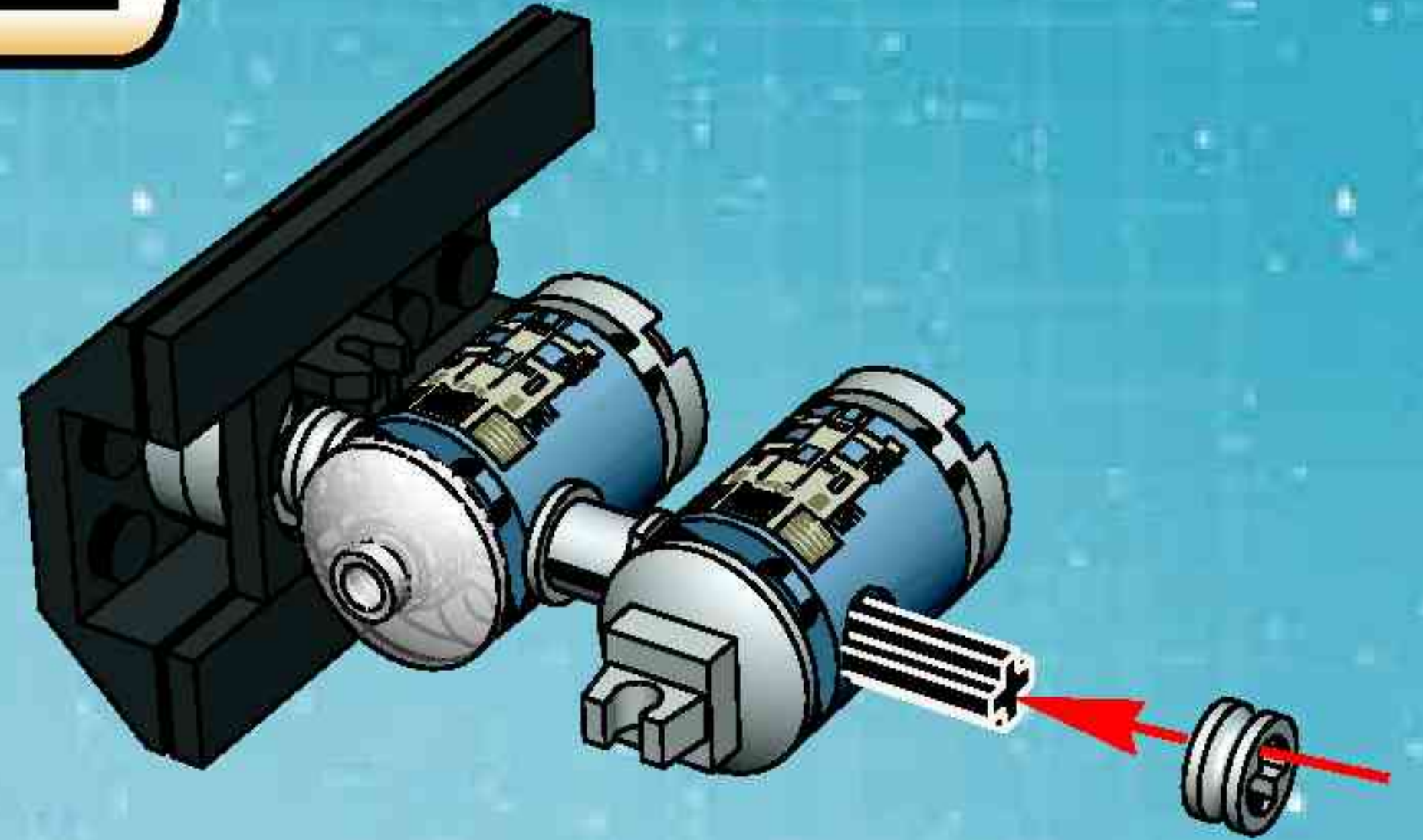
1



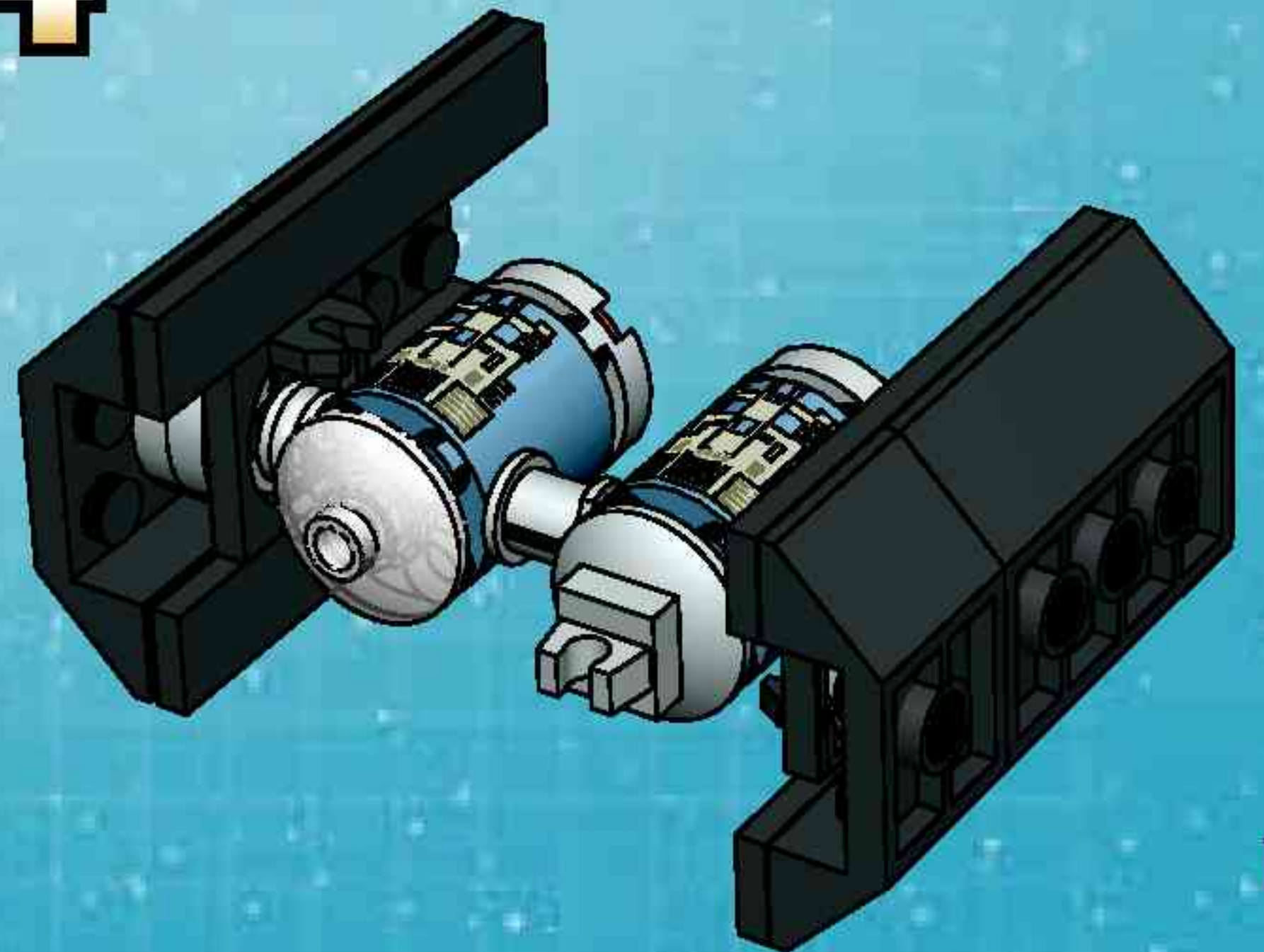
2



3



4





STAR WARS



4484

+



4486

+

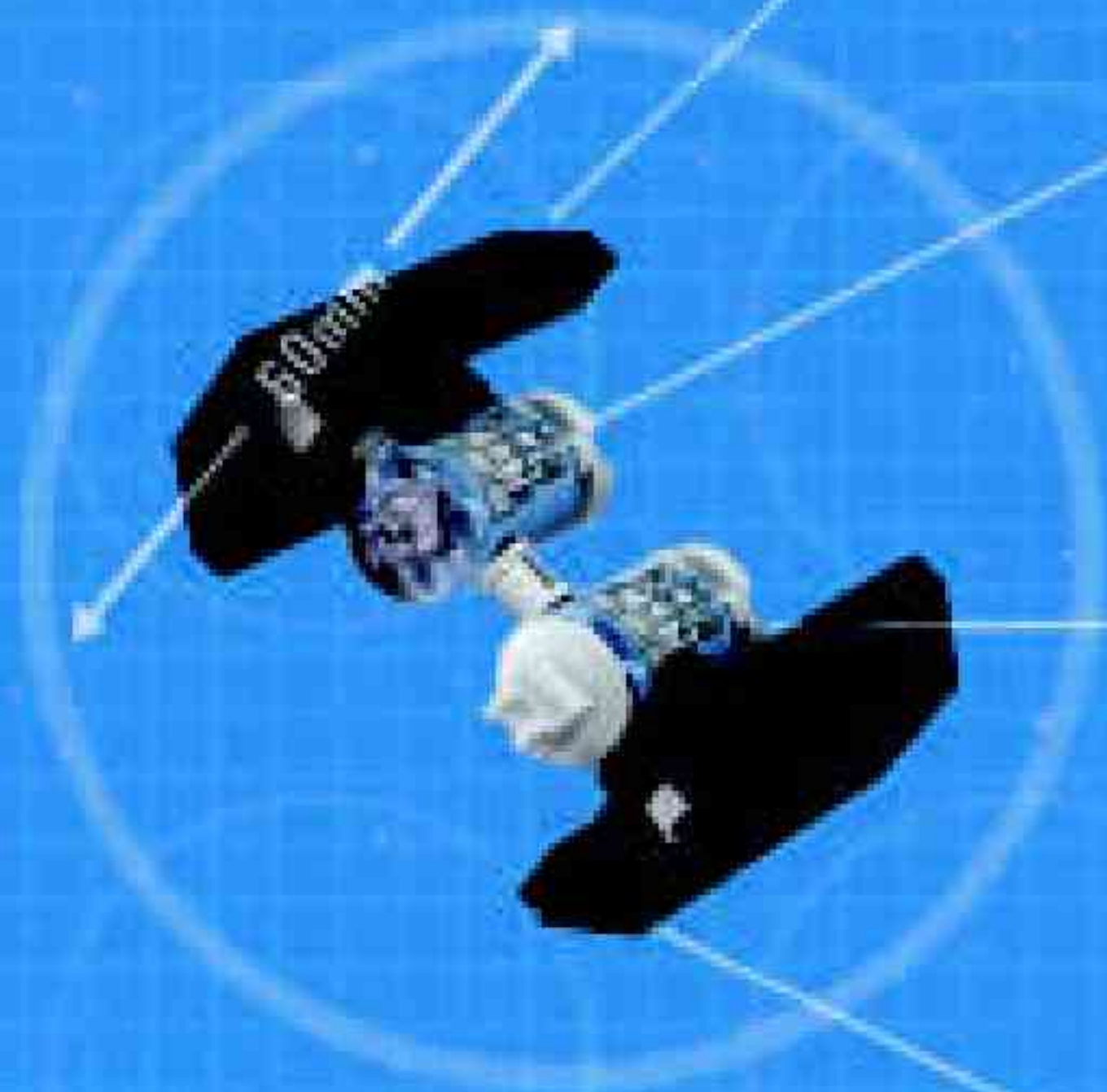


4487

+



4485





LEGO, the LEGO logo and the minifigure are trademarks of the LEGO Group.
© 2003 The LEGO Group.

© 2003 Lucasfilm Ltd. & TM. All rights reserved. Used under authorization.