

6330
1000

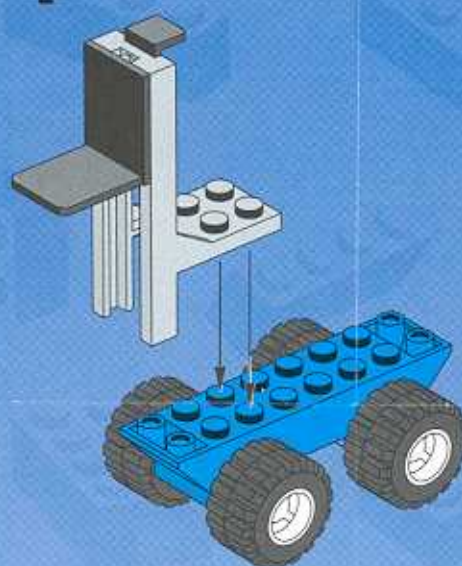


4115453

1/6



1



2

