

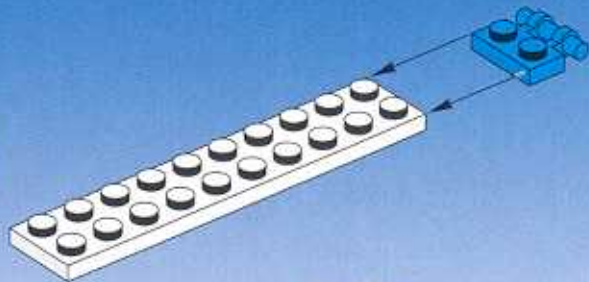
LEGO SYSTEM

6453

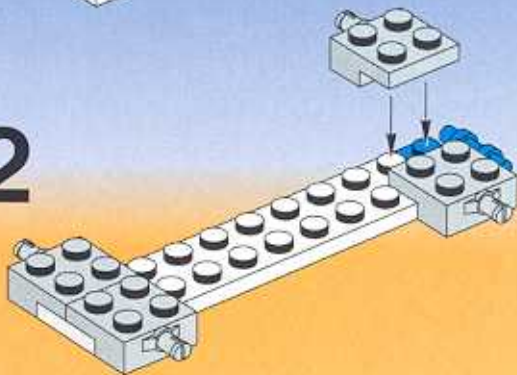




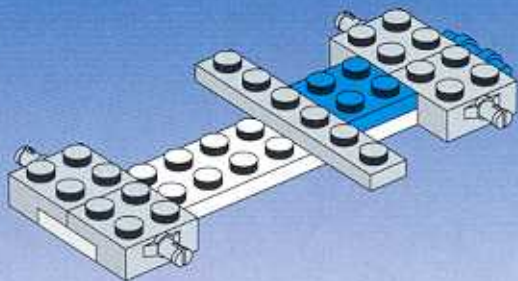
1



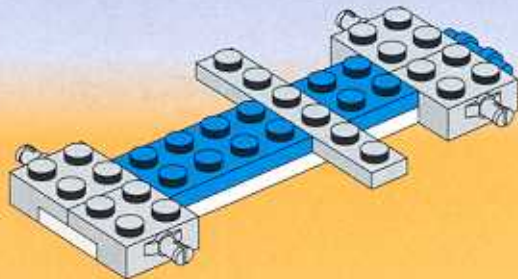
2



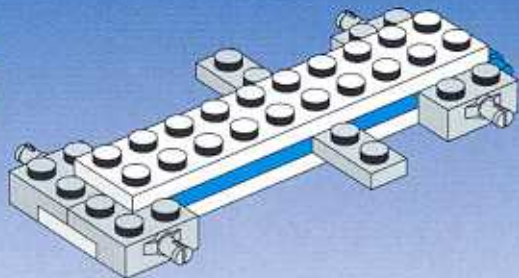
3



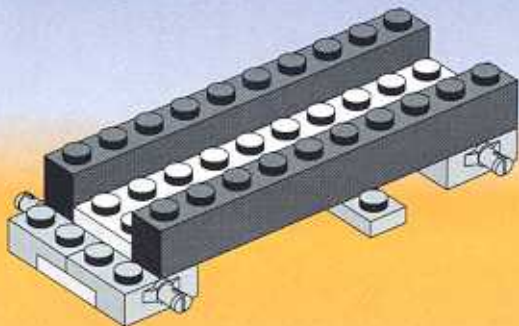
4



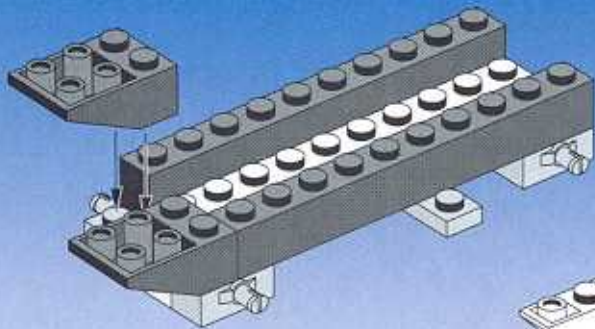
5



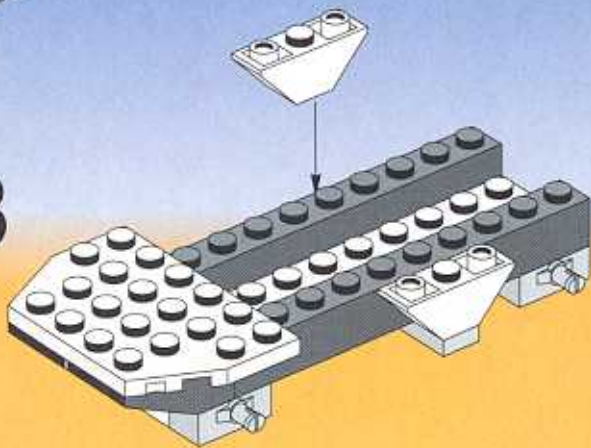
6



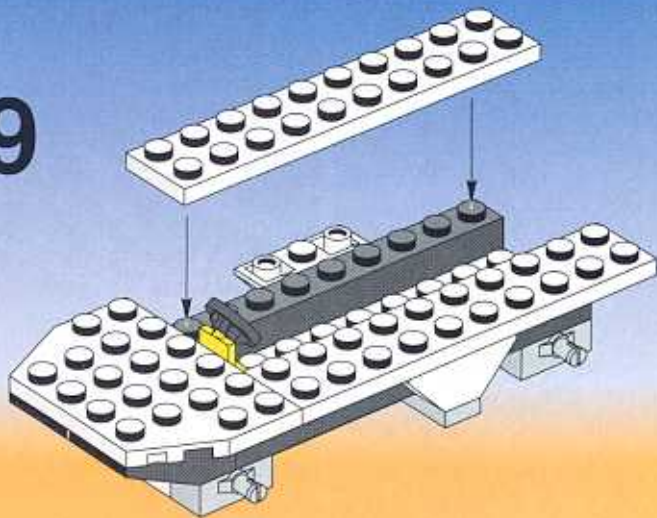
7



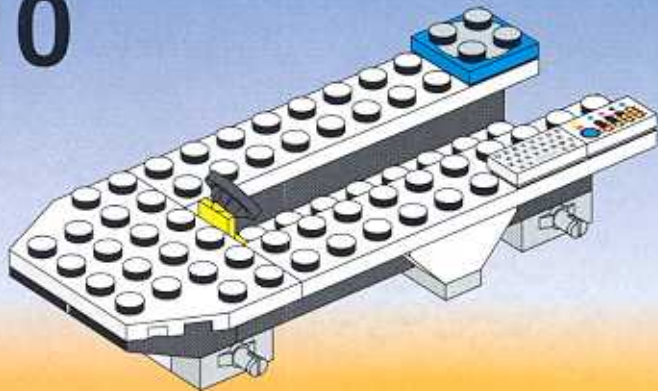
8



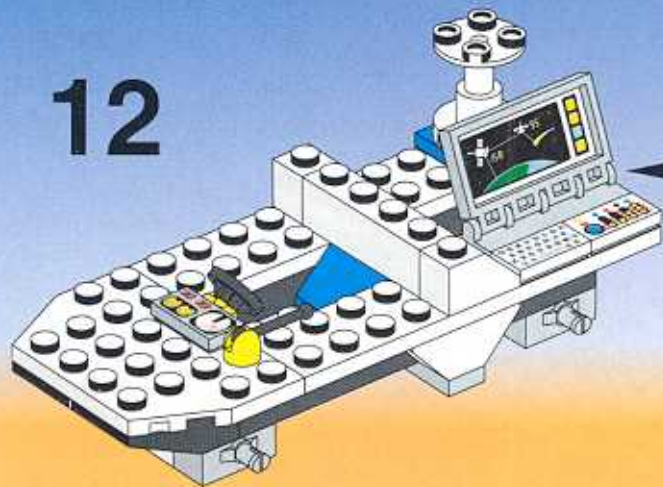
9



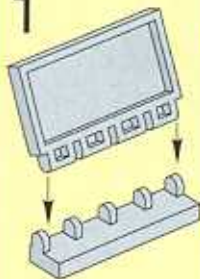
10



12



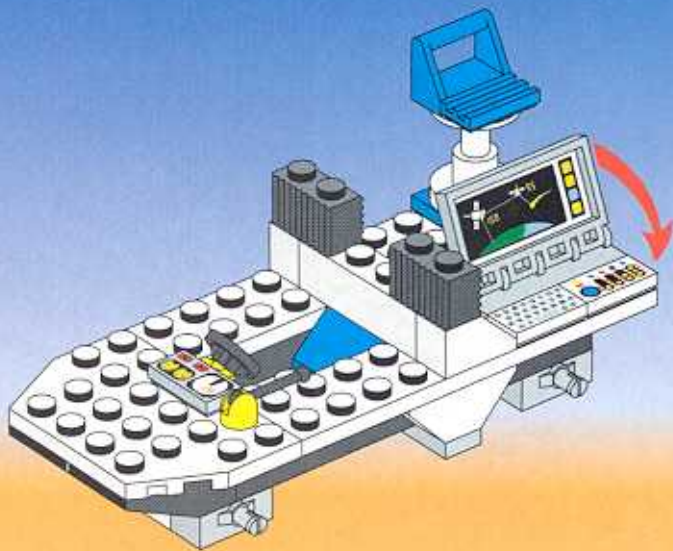
1



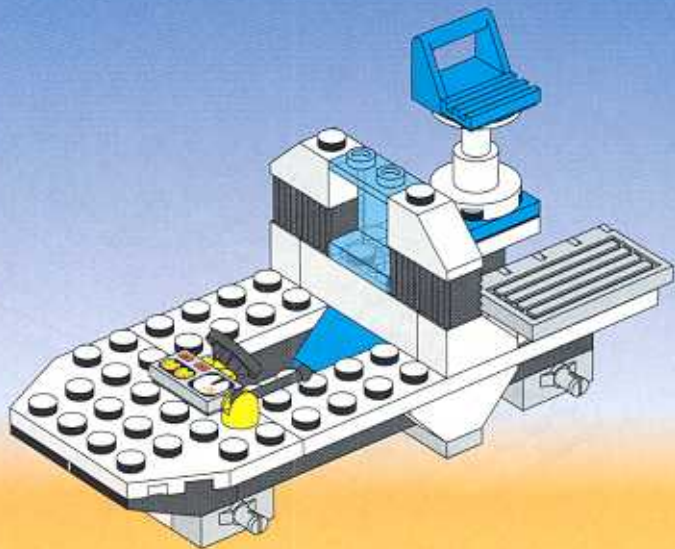
2



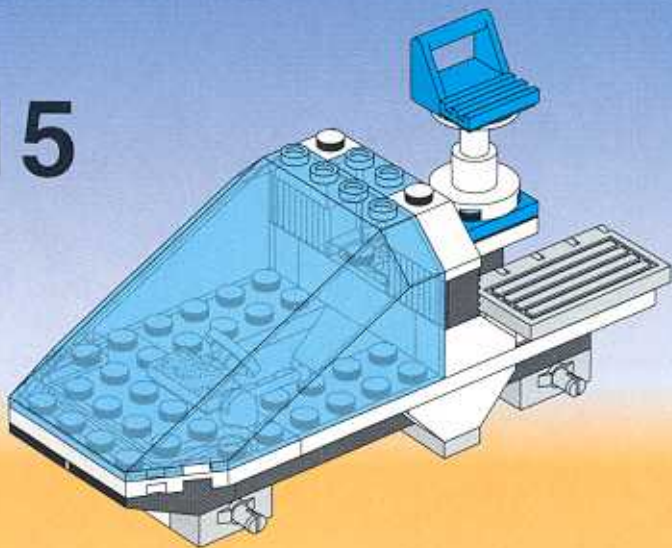
13

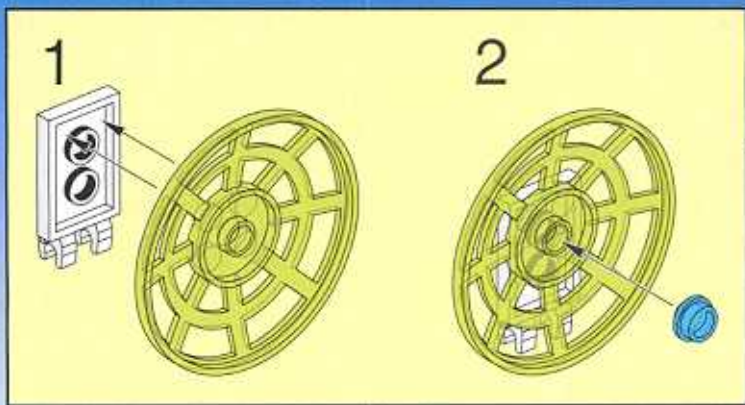


14



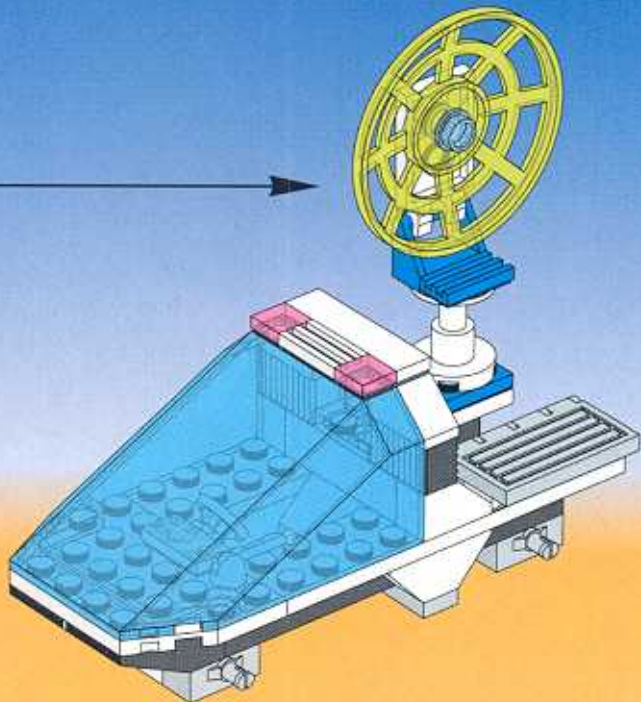
15







16



17

