



# STAR WARS™

75344





## **Get excited about our new packaging!**

We're switching from plastic to paper-based packaging. That's why you might find a mix of paper and plastic in our boxes!

## **Nos nouveaux emballages vous emballeront !**

Nous passons des emballages en plastique aux emballages à base de papier. C'est pourquoi vous pourriez trouver un mélange de papier et de plastique dans nos boîtes !

## **¡Te presentamos nuestros nuevos empaques!**

Estamos sustituyendo las bolsas de plástico por bolsas con base de papel. ¡Por eso, puedes encontrar una mezcla de papel y de plástico en nuestras cajas!

**[LEGO.com/sustainable-packaging](https://www.lego.com/sustainable-packaging)**



# BUILDER

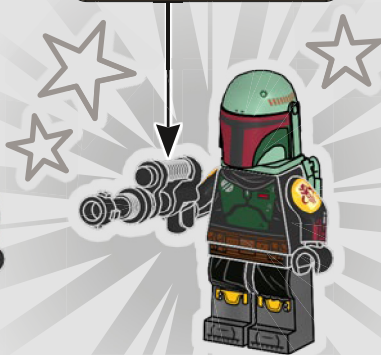
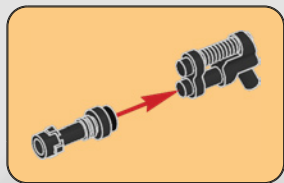


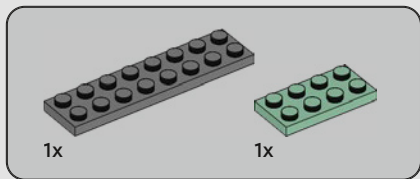
Apple and the Apple logo are trademarks of Apple Inc., registered in the U.S. and other countries and regions. App Store is a service mark of Apple Inc. Google Play and the Google Play logo are trademarks of Google LLC. Tencent and the Tencent logo are trademarks of Tencent Inc.

Q [LEGO.com/devicecheck](https://www.lego.com/devicecheck)

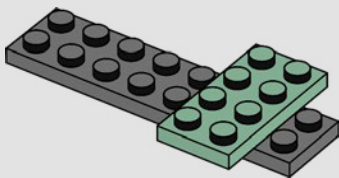
**EN** Ask parents' permission before going online | **DE** Eltern um Erlaubnis bitten, bevor du online gehst | **FR** Demande l'autorisation d'un parent avant d'aller en ligne | **IT** Chiedi il permesso ai tuoi genitori prima di andare online | **ES** Pídeles permiso a tus papás antes de conectarte a Internet | **PT** pede autorização aos pais antes de acederes online | **JA** オンラインになる前に ほかの方のきょかをもらおう | **ZH** 上网前应先征得父母的同意 | **KO** 온라인 접속 전에 보호자 동의가 필요합니다 | **RU** Спроси разрешения у родителей, прежде чем заходить в интернет | **PL** Poproś rodziców o zgodę, zanim wejdiesz do Internetu | **CS** Než půjdeš na internet, požádej rodiče o svolení | **SK** Skôr než pôjdeš na internet, vypýtaj si povolenie od rodičov | **HU** Kérj szülői engedélyt, mielőtt online csatlakoznál! | **RO** Cere permisiunea părinților înainte de a te conecta online | **BG** Поискайте разрешение от родител, преди да влезете онлайн | **LV** Pirms došanās tiešsaistē palūdz atļauju vecākiem | **ET** Enne Interneti kasutamist küsi vanematelt luba | **LT** Prieš prisijungdami prie interneto, atsiklauskite tėvų





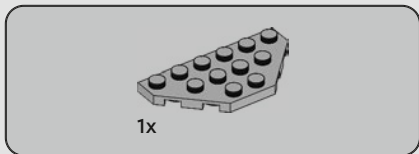


1

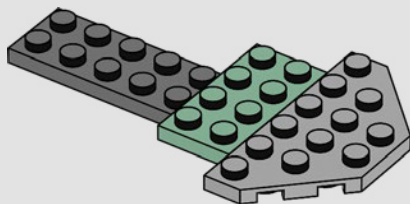


6





2



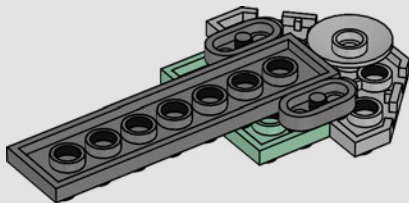


1x



2x

3

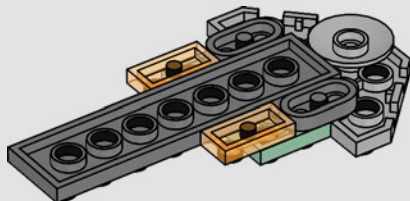


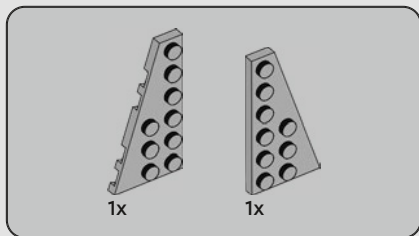




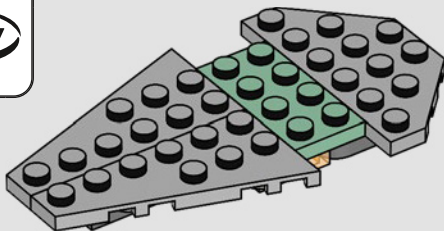
2x

4





5



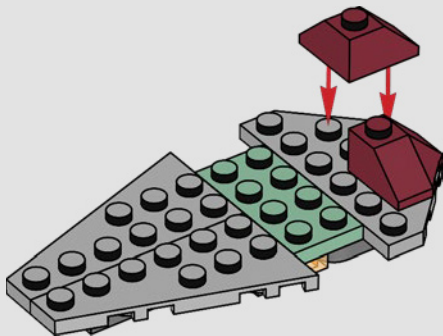
10

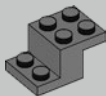




2x

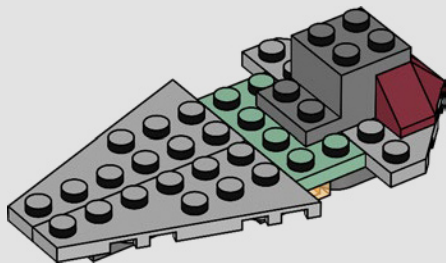
6





1x

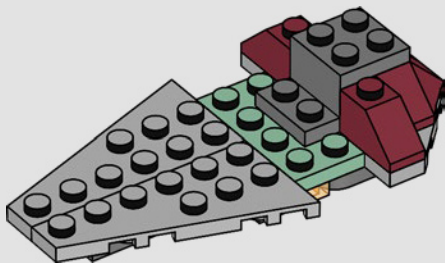
7





2x

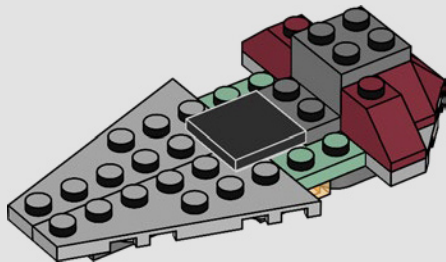
8





1x

9





2x



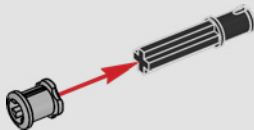
2x



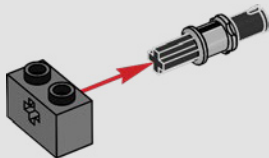
2x

# 10

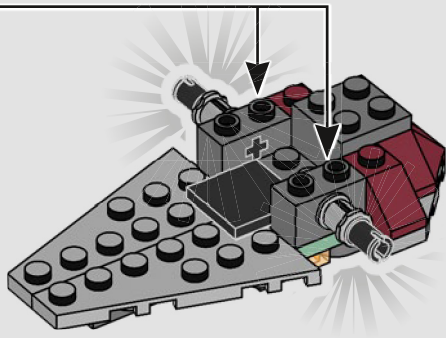
1



2



# 2x

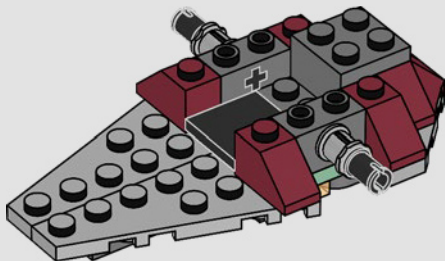


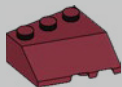




2x

11



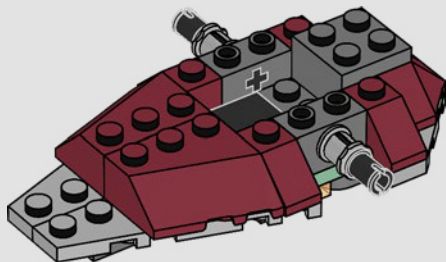


1x



1x

# 12



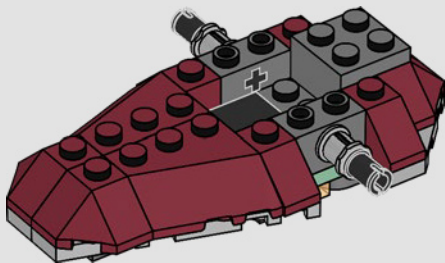
18





2x

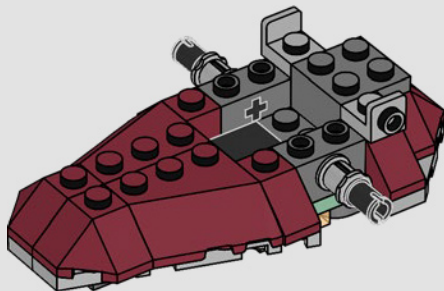
13





2x

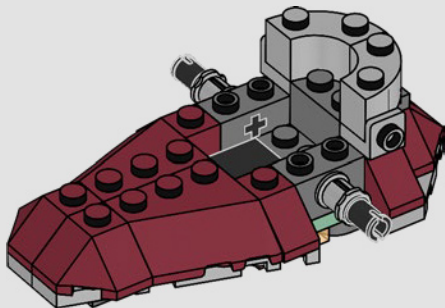
14





2x

15





2x

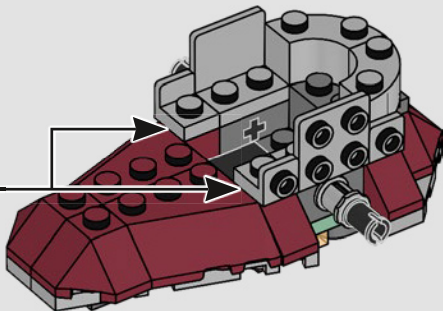


2x

# 16



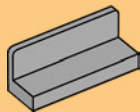
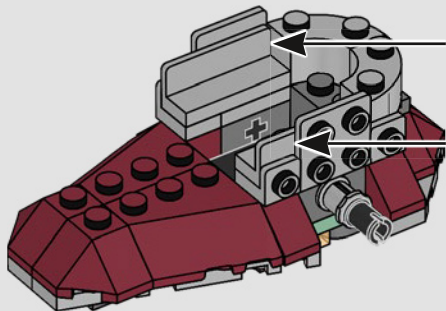
2x





2x

17

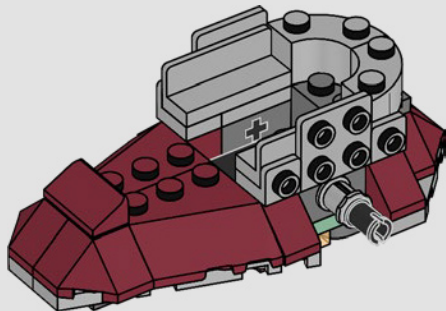


2x

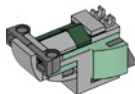


1x

# 18

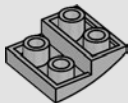






1x

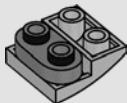
19





1x

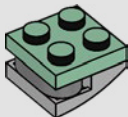
20

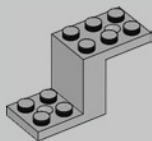




1x

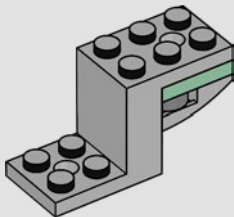
21





1x

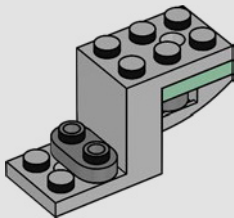
# 22





1x

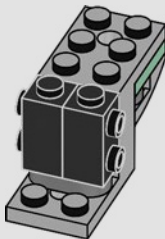
# 23





2x

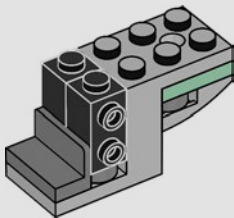
24

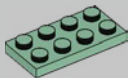




1x

25



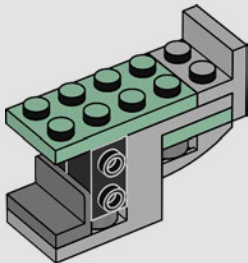


1x



1x

# 26





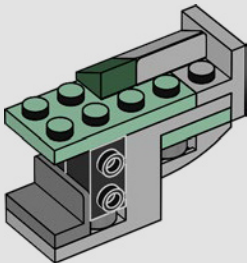


1x



1x

# 27



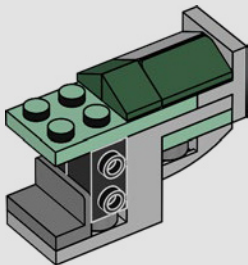


1x



1x

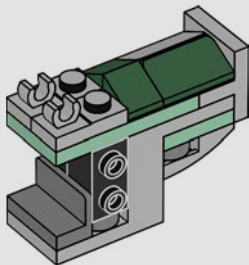
# 28





2x

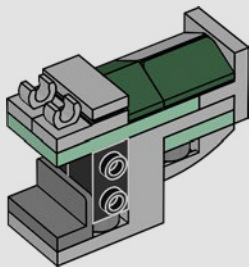
29

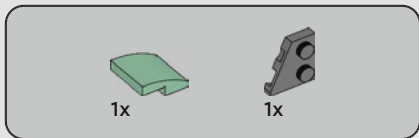




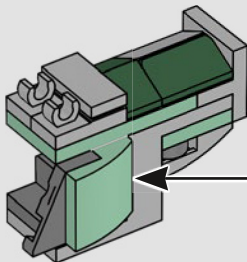
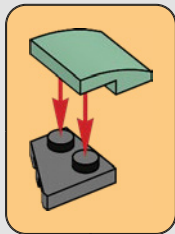
1x

30





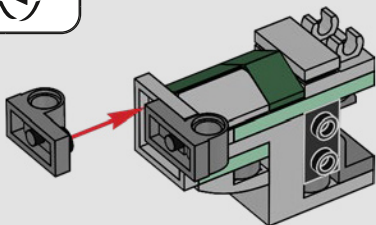
31





2x

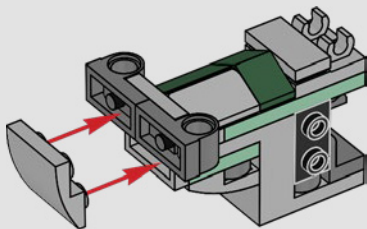
32





1x

# 33



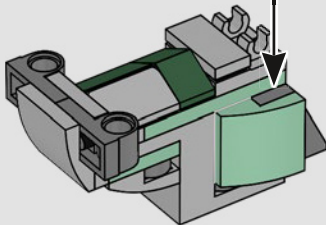
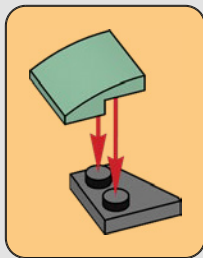


1x



1x

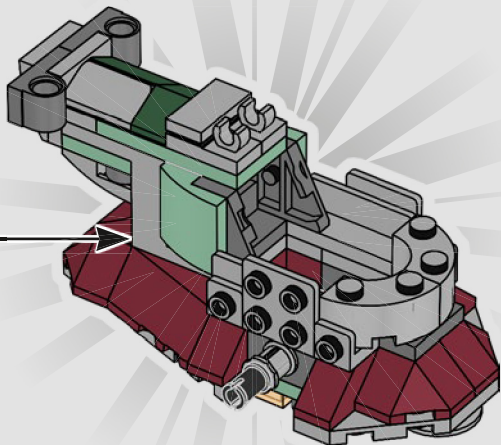
# 34







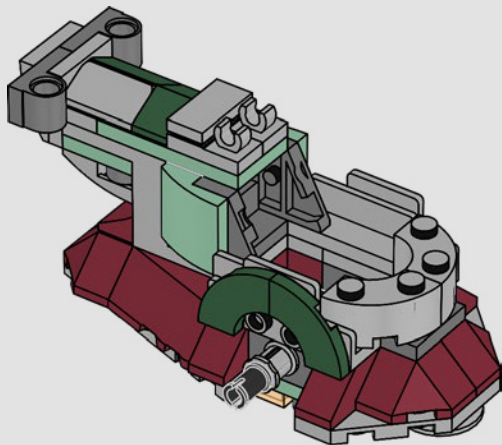
35





2x

36



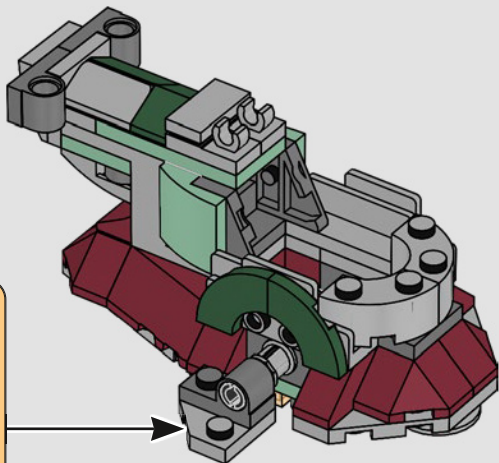
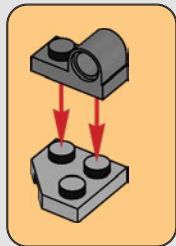


1x



1x

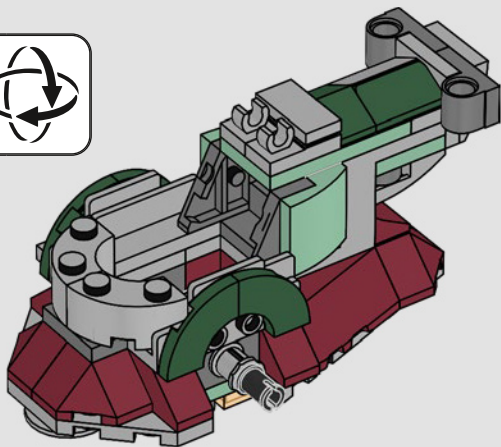
# 37





2x

38



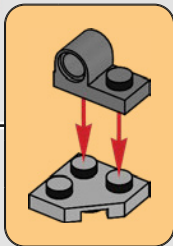
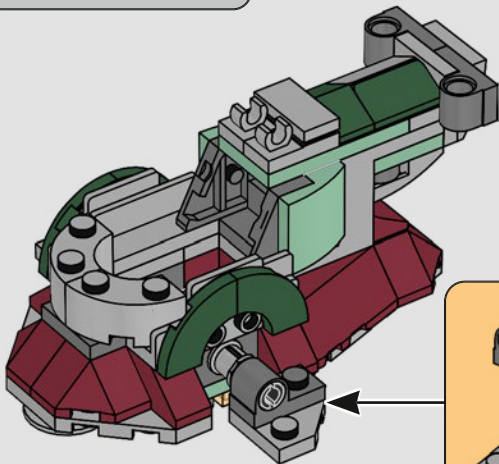


1x



1x

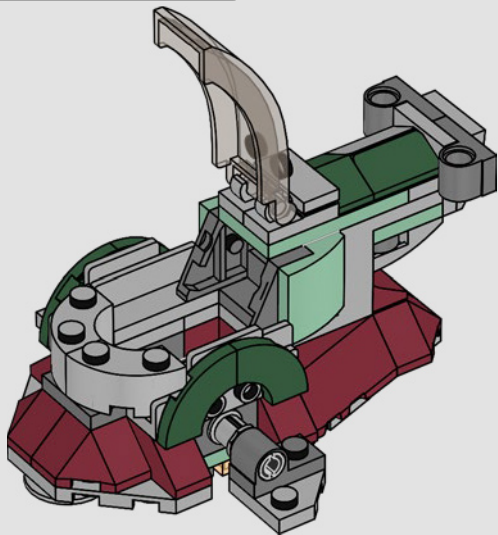
# 39





1x

40





2x



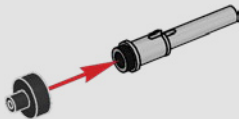
2x



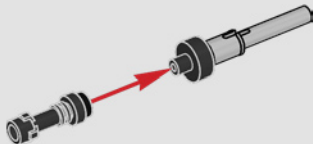
2x

# 41

## 1



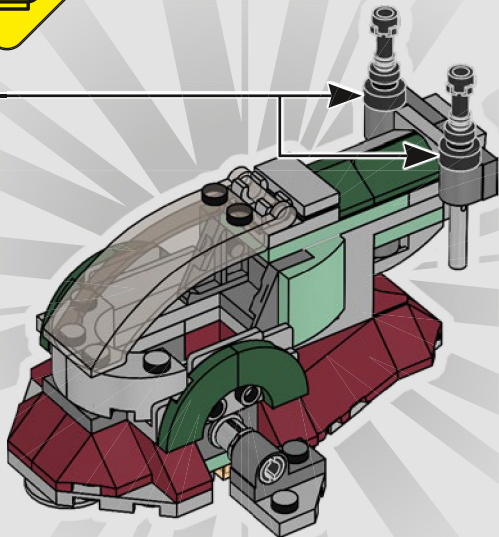
## 2



# 2x

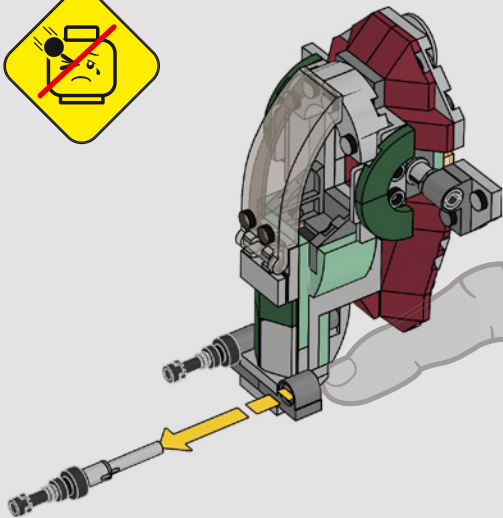


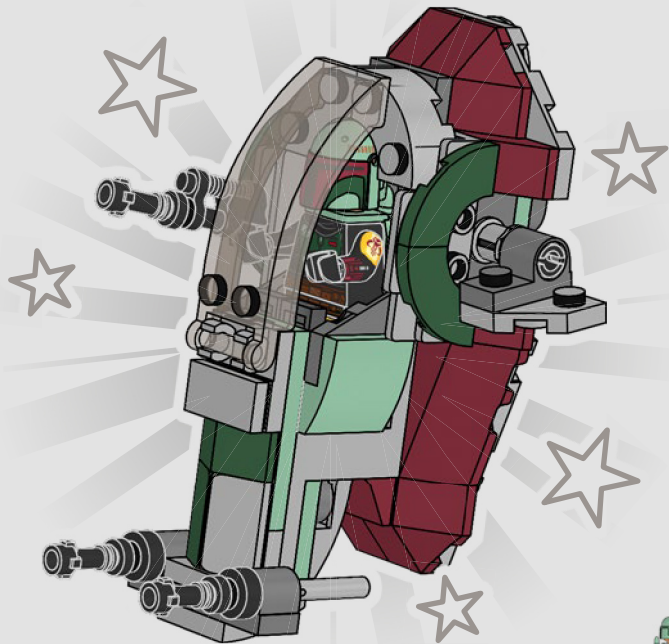
42



48









# STAR WARS™

75347



75344



75345





# STAR WARS™

75325



75321



75324



75326





2x  
6228987



2x  
6089119



1x  
6374327



4x  
4541526



2x  
6185676



1x  
306826



1x  
4659662



1x  
6270089



4x  
6426640



1x  
4211414



1x  
6374328



2x  
4504375



1x  
6257449



4x  
6335328



2x  
6186675



2x  
6080431



1x  
6168574



1x  
6257448



2x  
6326078



1x  
6374330



1x  
6186823



4x  
6426639



2x  
6240217



2x  
4654580



3x  
4598897



2x  
6249817



1x  
6083977



1x  
4568637



2x  
4567448



2x  
6210581



2x  
6275844



1x  
6258820



2x  
6347715



2x  
6186657



1x  
4211512



4x  
6221607



2x  
6178919



4x  
6019987



1x  
6143417



1x  
6143423



1x  
6395363



1x  
6146225



1x  
6374333



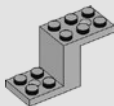
1x  
4282789



1x  
4282786



1x  
4211352



1x  
6171067



1x  
6431834



1x  
4210997



[LEGO.com/service](https://www.LEGO.com/service)



Rebuild  
the  
world™



YOU COULD

WIN



Scan this QR code or go to  
**LEGO.COM/PRODUCTFEEDBACK** and give us  
your short feedback about this LEGO® set  
for a chance to win a cool LEGO prize.

Terms and Conditions apply\*

**DE: Du könntest GEWINNEN.** Es gelten die Teilnahmebedingungen\* **FR: Tu pourrais GAGNER.** Des conditions s'appliquent\* **IT: Potresti VINCERE tu.** Termini e condizioni sono applicabili\* **ES: Puedes GANAR.** Aplican términos y condiciones\* **PT: Poderá GANHAR.** Aplicam-se termos e condições\* **JA: プレゼント付き! 利用規約が適用されます\*** **ZH: 轻松获奖. 条款和条件适用\*** **KO: 상품의 주인이 되어보세요. 소정의 약관이 적용됩니다\*** **RU: Вы можете ВЫИГРАТЬ.** Действуют положения и условия\* **PL: Szansa na WYGRANĄ.** Obowiązują warunki korzystania\* **CS: Máte šanci VYHRÁT.** Platí všeobecné smluvní podmínky\* **SK: Máte šancu VYHRAŤ.** Platia všeobecné zmluvné podmienky\* **HU: TE IS NYERHETSZ.** Felhasználási feltételek érvényesek\* **RO: Ai putea CÂȘTIGA.** Se aplică termenii și condiții\* **BG: Можете да СПЕЧЕЛИТЕ.** Има определени правила и условия\* **LV: Tu vari LAIMĒT.** Ir spēkā noteikumi un nosacījumi.\* **ET: Sul on võimalus VÕITA.** Kehtivad tingimused\* **LT: Jūs galite LAIMĖTI.** Taikomos sąlygos\*

\*[LEGO.com/productfeedback-terms](https://www.lego.com/productfeedback-terms)

LEGO and the LEGO logo are trademarks of the/son des marques de commerce du/  
son marcas registradas de LEGO Group. ©2023 The LEGO Group.

© & ™ Lucasfilm Ltd.

6449309