



# STAR WARS™

75365



1

2



### **Get excited about our new packaging!**

We're switching from plastic to paper-based packaging. That's why you might find a mix of paper and plastic in our boxes!

### **Nos nouveaux emballages vous emballeront !**

Nous passons des emballages en plastique aux emballages à base de papier. C'est pourquoi vous pourriez trouver un mélange de papier et de plastique dans nos boîtes !

### **¡Te presentamos nuestros nuevos empaques!**

Estamos sustituyendo las bolsas de plástico por bolsas con base de papel. ¡Por eso, puedes encontrar una mezcla de papel y de plástico en nuestras cajas!

**[LEGO.com/sustainable-packaging](https://www.lego.com/sustainable-packaging)**



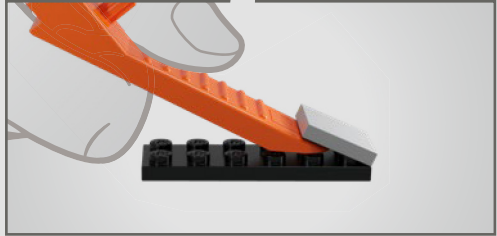
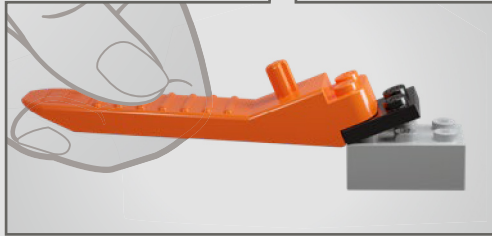
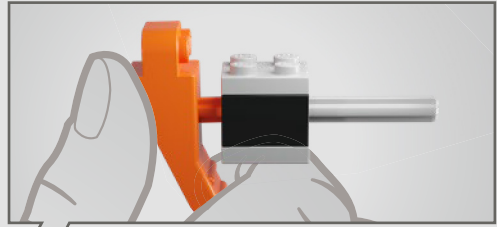
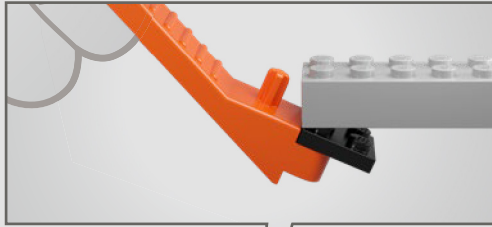
# BUILDER



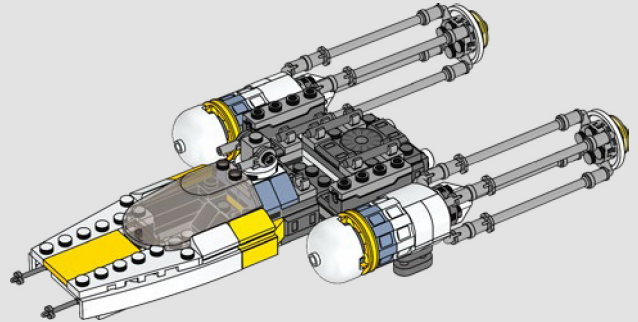
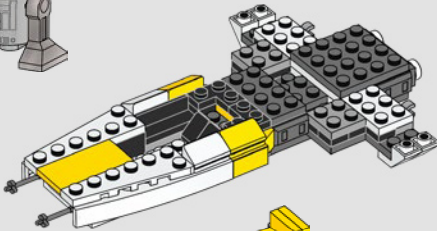
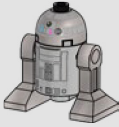
Apple and the Apple logo are trademarks of Apple Inc., registered in the U.S. and other countries and regions. App Store is a service mark of Apple Inc. Google Play and the Google Play logo are trademarks of Google LLC. Tencent and the Tencent logo are trademarks of Tencent Inc.

LEGO.com/devicecheck

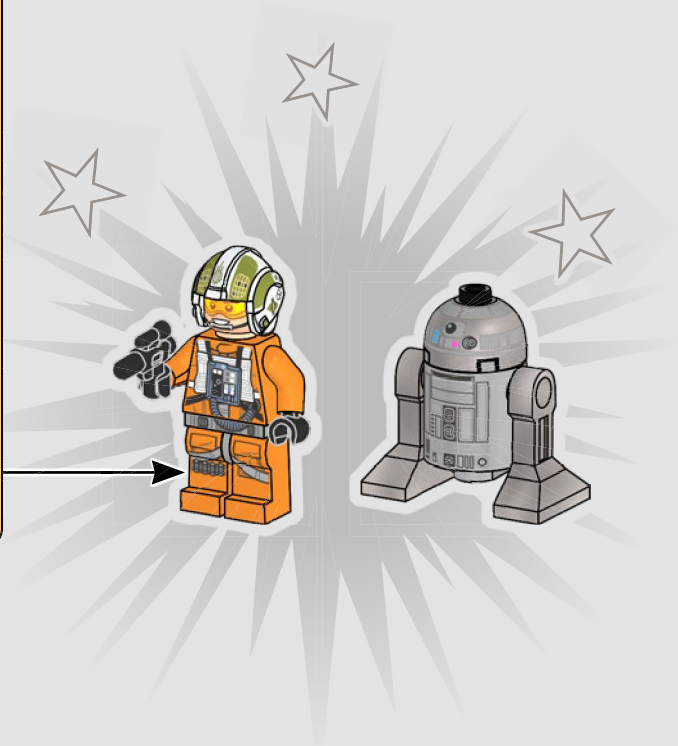
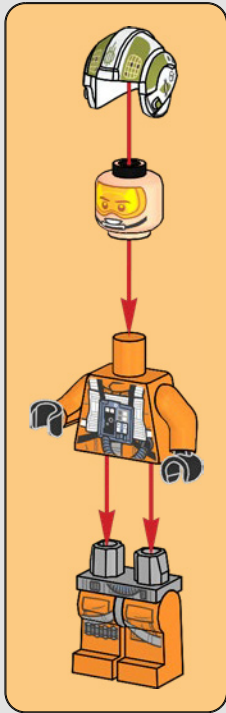
EN Ask parents' permission before going online | DE Eltern um Erlaubnis bitten, bevor du online gehst | FR Demande l'autorisation d'un parent avant d'aller en ligne | IT Chiedi il permesso ai tuoi genitori prima di andare online | ES Pídeles permiso a tus papás antes de conectarte a Internet | PT Peça autorização aos pais antes de acederes online | JA オンラインになる前に ほかの方のきよかもをもらおう | ZH 上网前应先征得父母的同意 | KO 온라인 접속 전에 보호자 동의가 필요합니다 | RU Спроси разрешения у родителей, прежде чем заходить в интернет | PL Poproś rodziców o zgodę, zanim wejdiesz do Internetu | CS Než půjdeš na internet, požádej rodiče o svolení | SK Než pôjdeš na internet, vypýtaj si povolenie od rodičov | HU Kérj szülői engedélyt, mielőtt online csatlakoznál! | RO Cere permisiunea părinților înainte de a te conecta online | BG Поискайте разрешение от родител, преди да влезете онлайн | LV Pirms došanās tiešsaistē palūdz atļauju vecākiem | ET Enne Interneti kasutamist küsi vanematelt luba | LT Prieš prisijungdami prie interneto, atsiklauskite tėvų

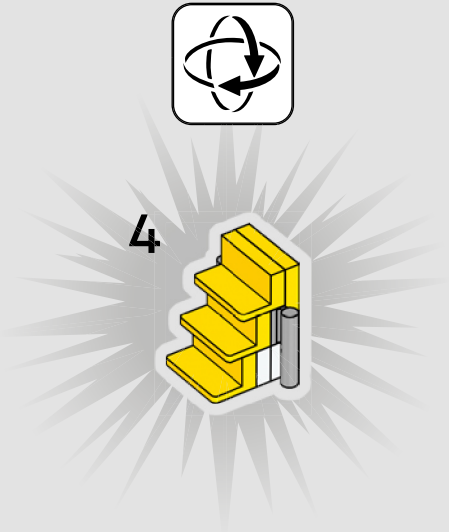
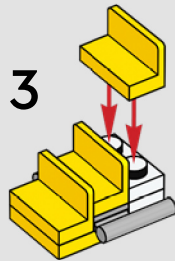
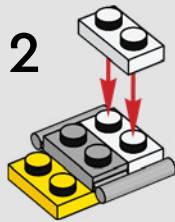
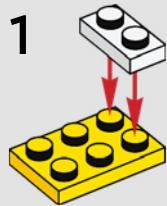
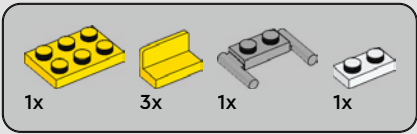




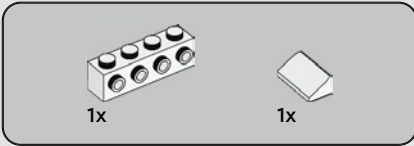
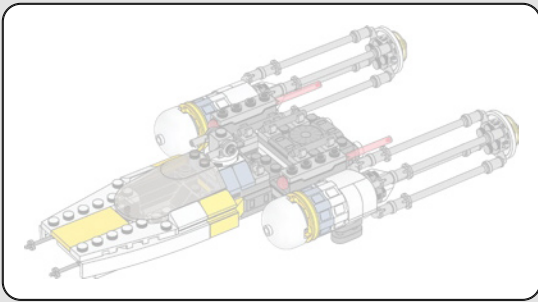




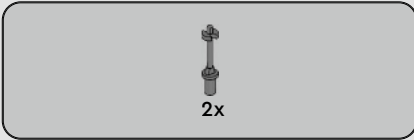
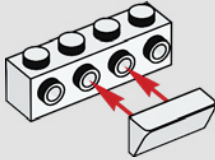




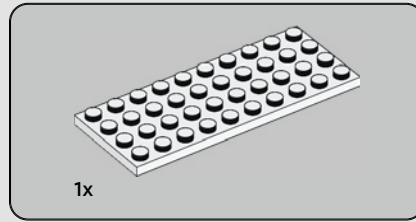
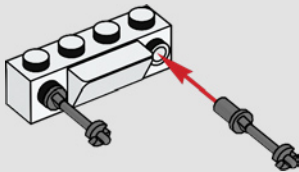




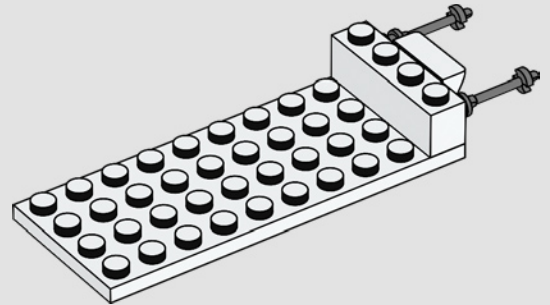
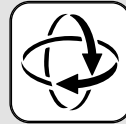
1

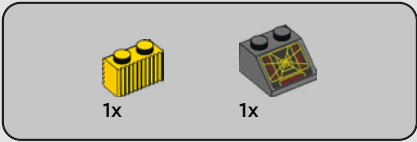


2

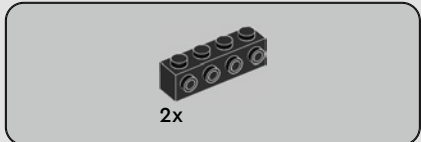
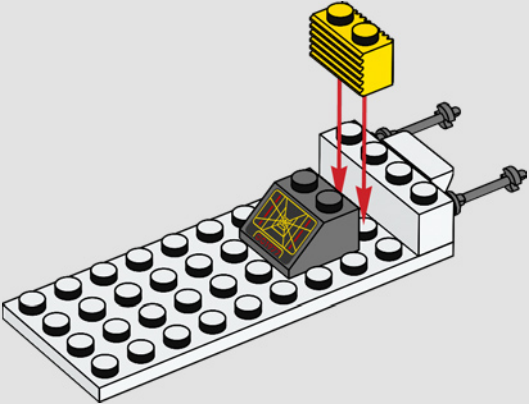


3

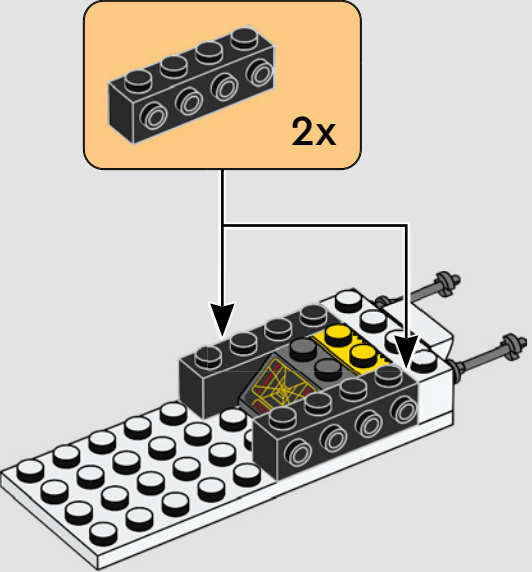


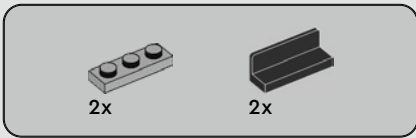


4

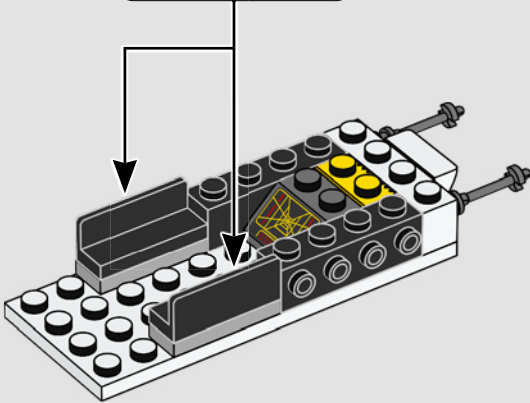
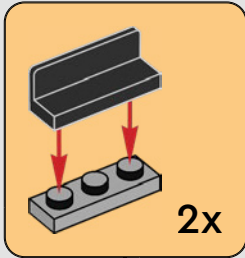


5

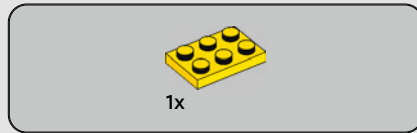
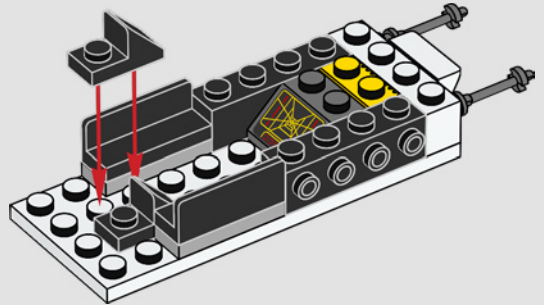




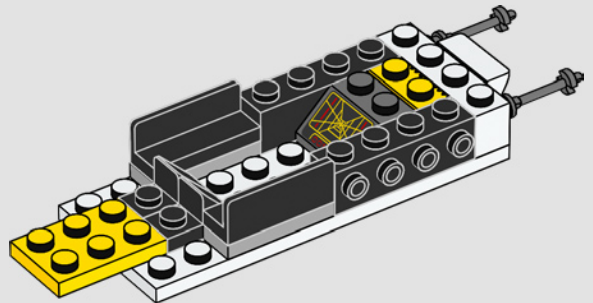
6

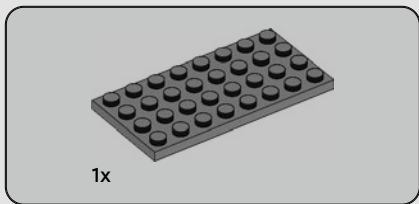


7

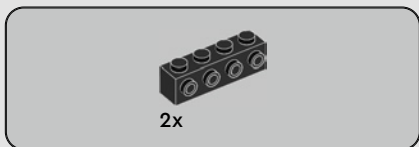
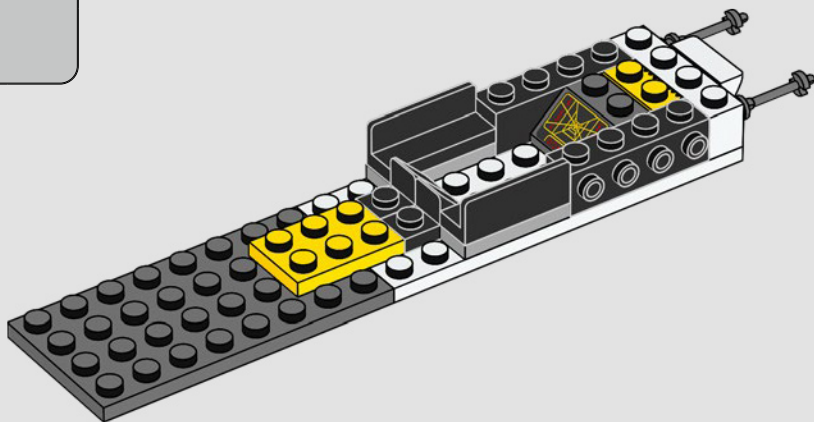


8

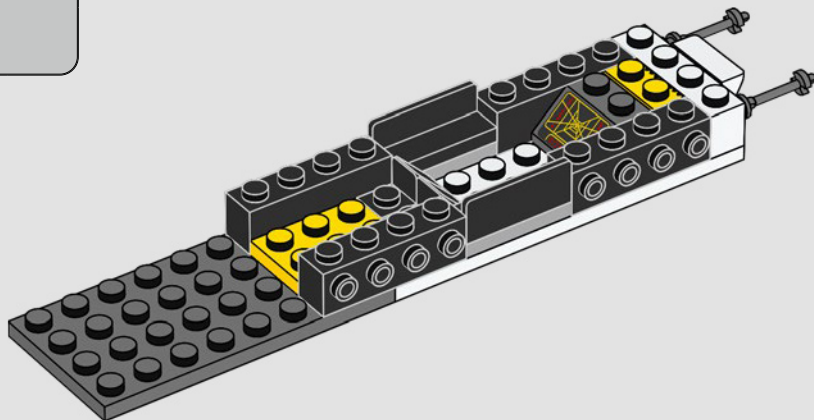




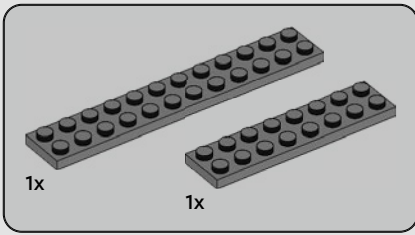
9



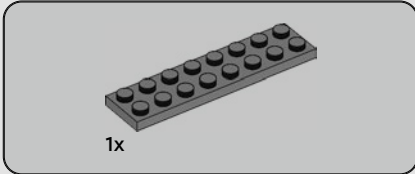
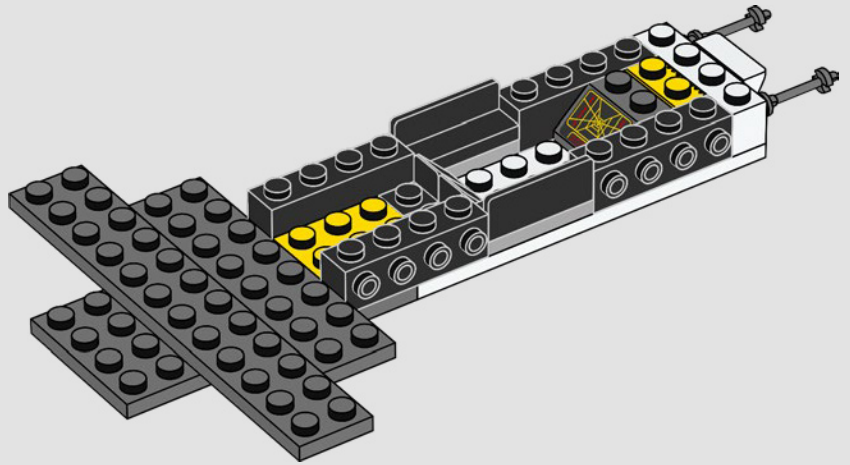
10



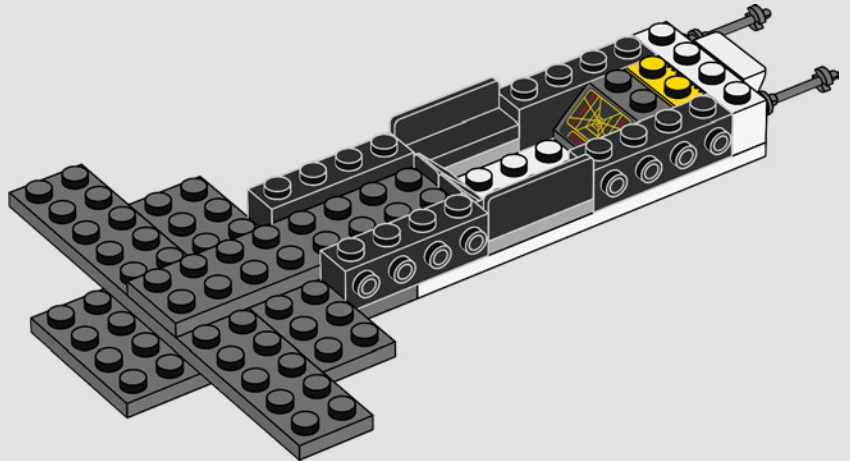




11



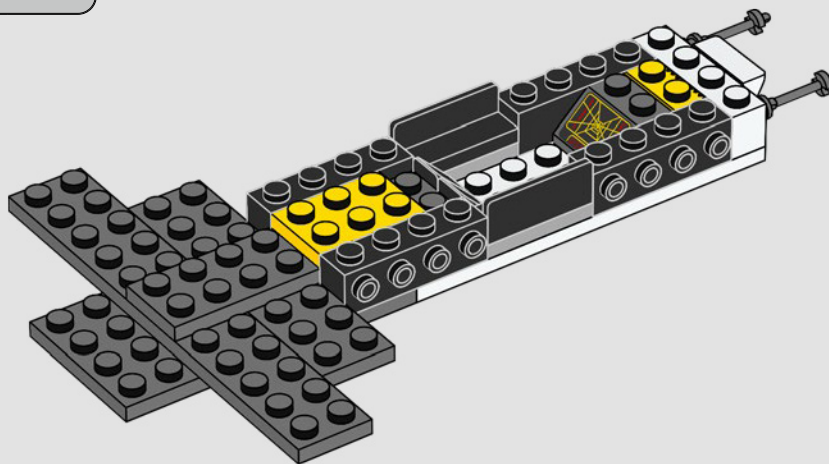
12





1x

13

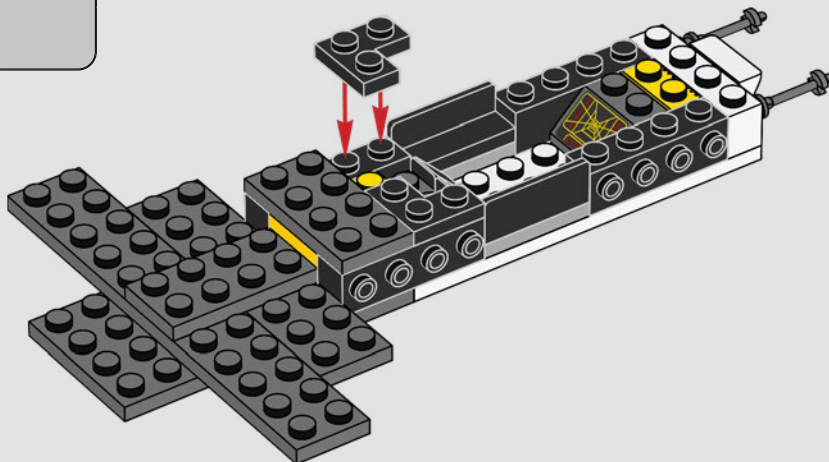


2x



1x

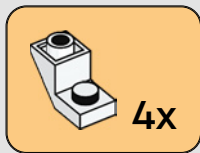
14



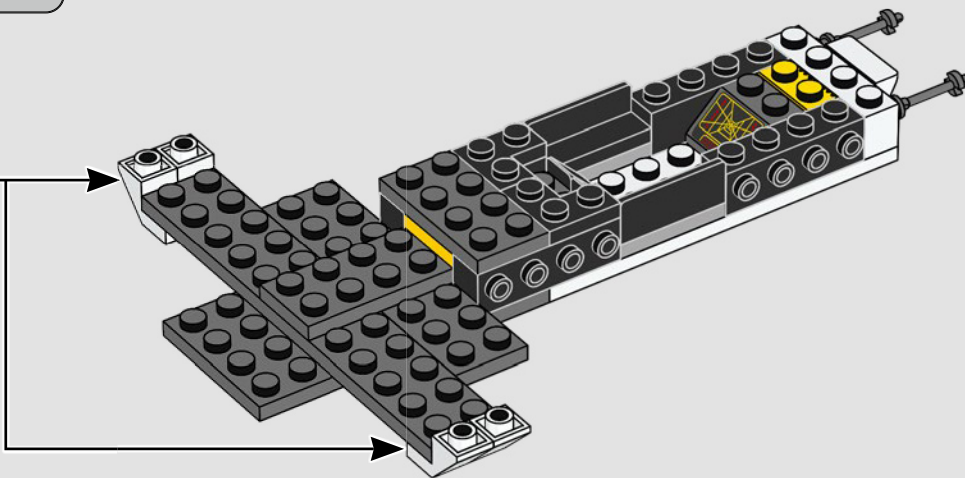


4x

15

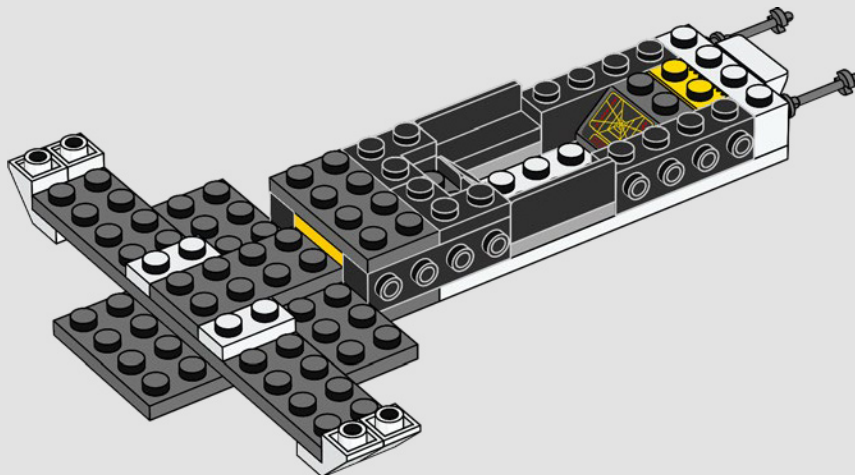


4x



2x

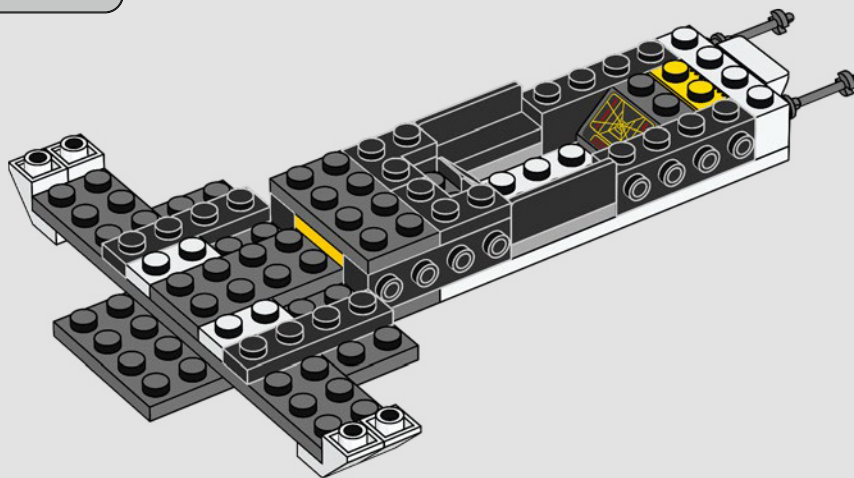
16





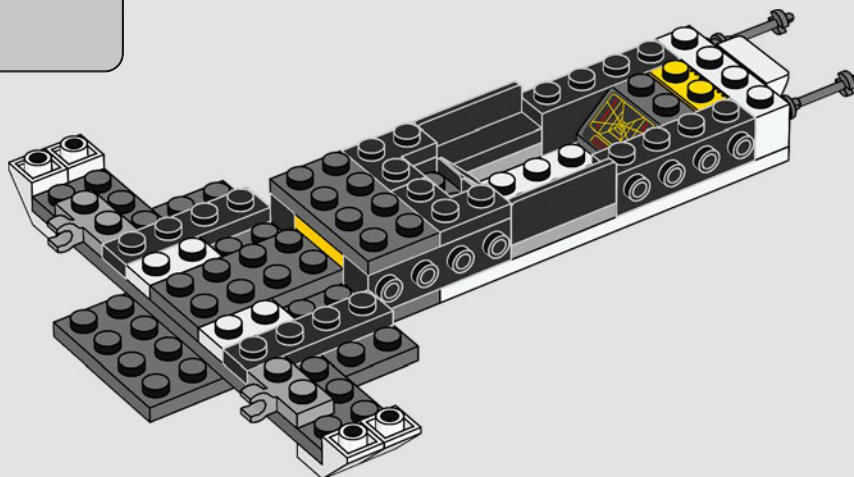
2x

17



2x

18





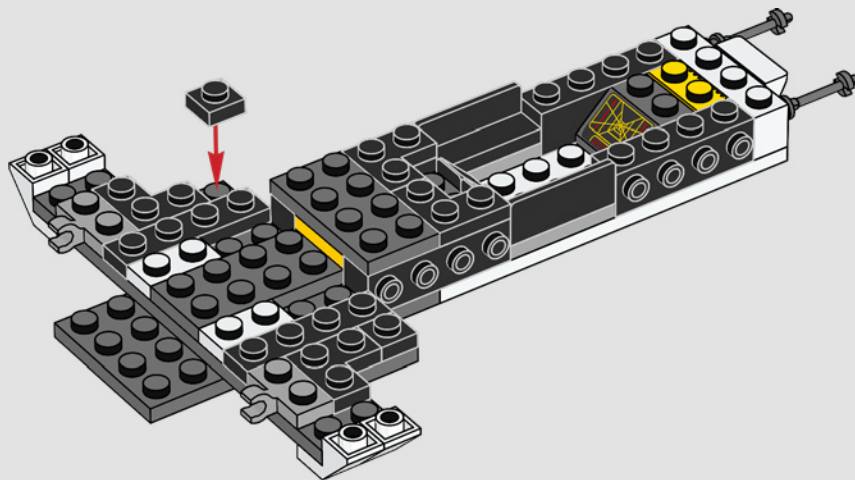


2x



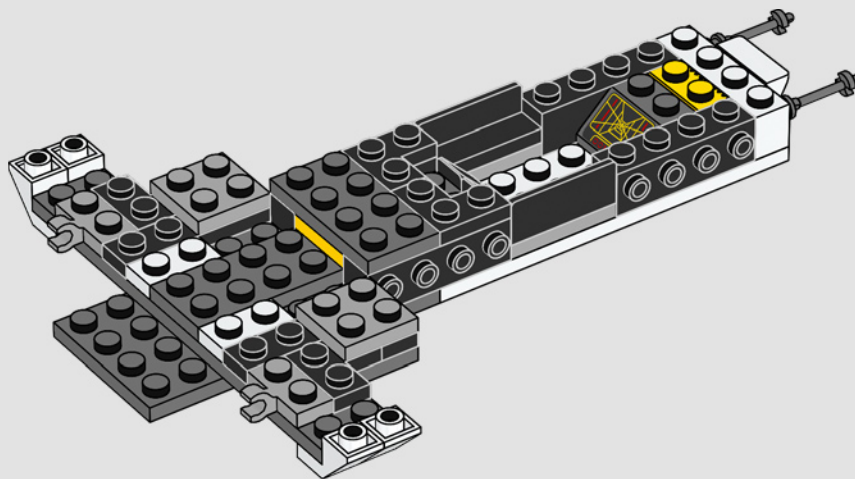
2x

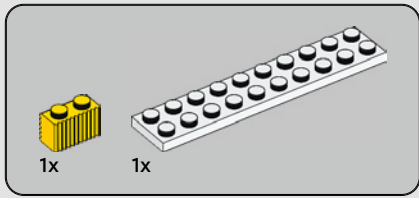
19



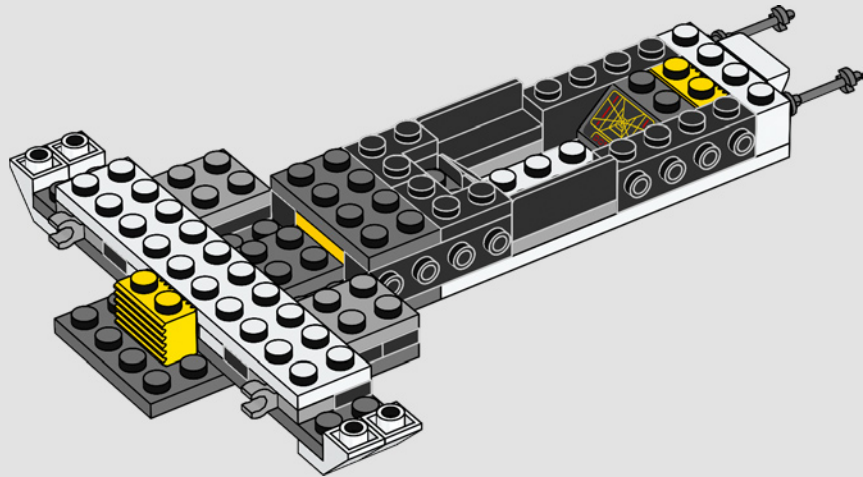
2x

20





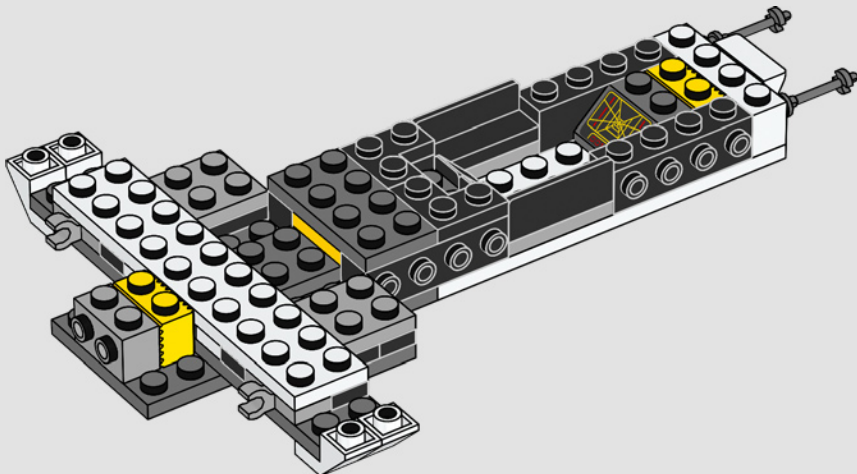
21





1x

# 22

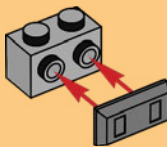
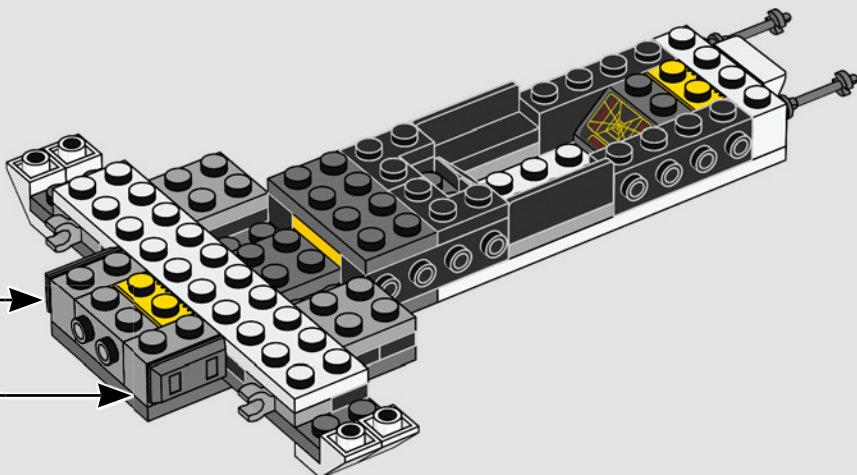


2x

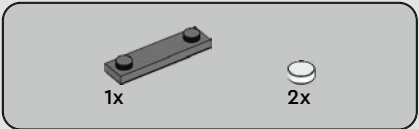


2x

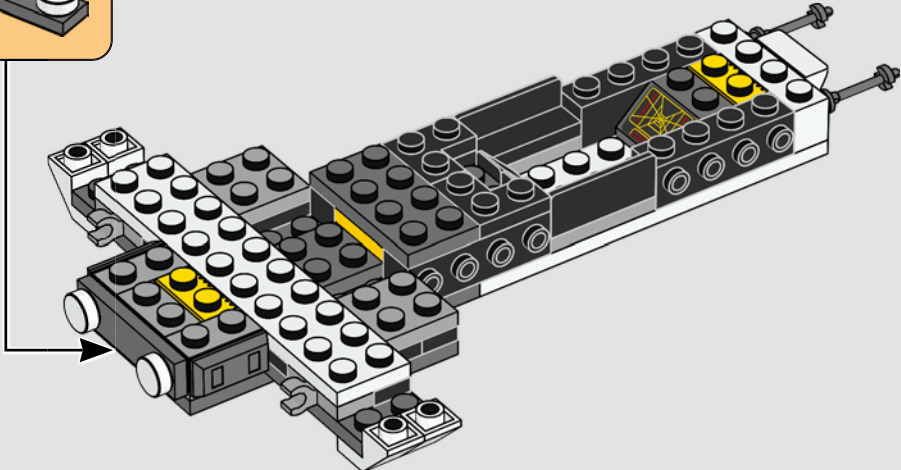
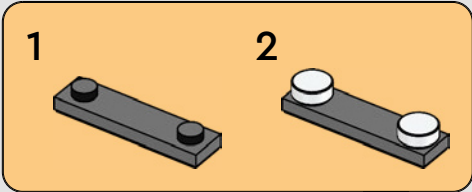
# 23



2x



# 24

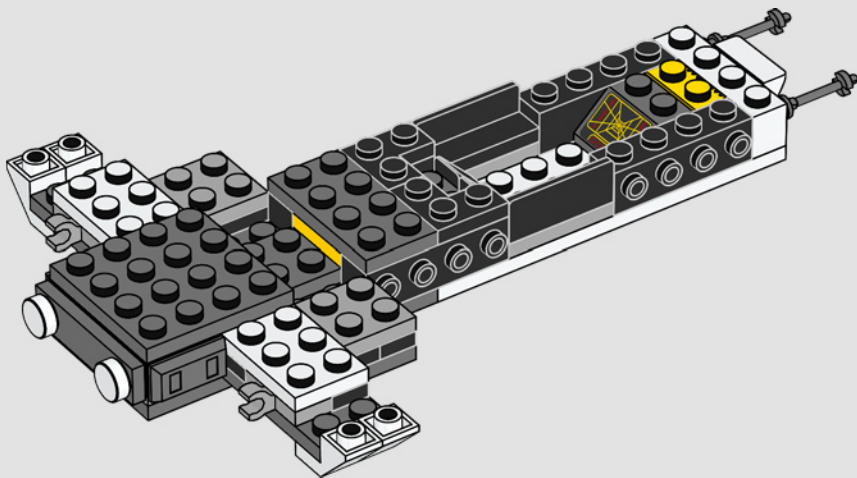






1x

25

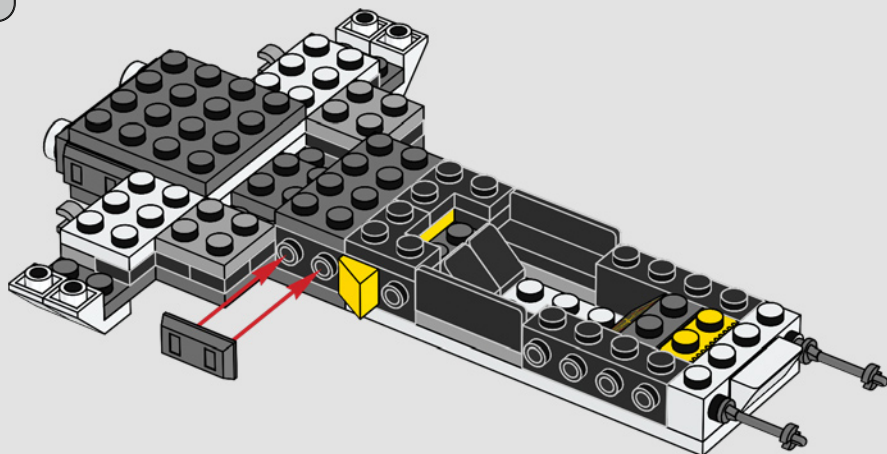


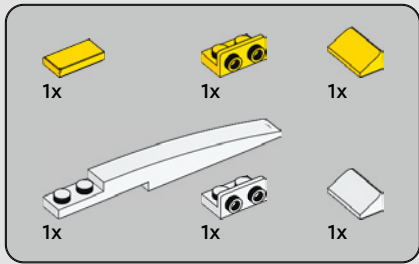
1x



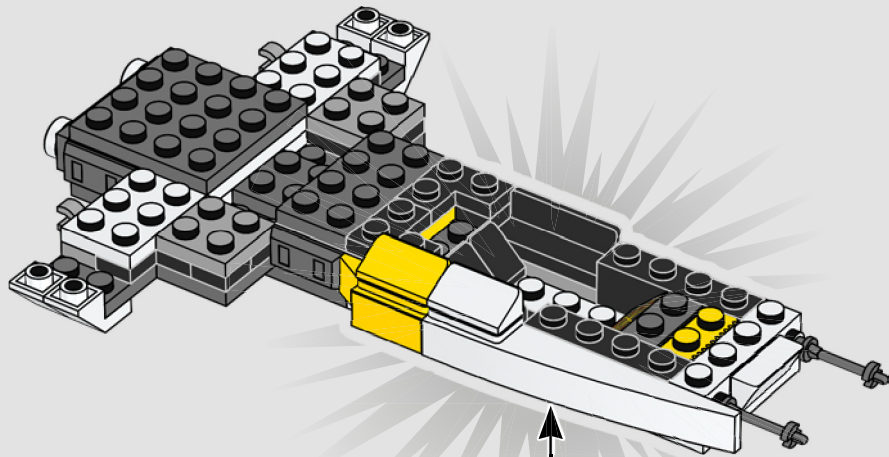
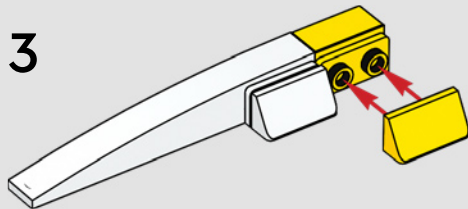
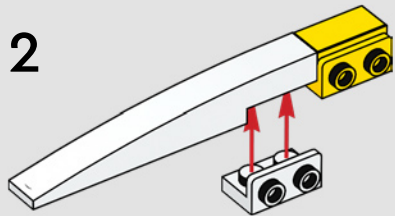
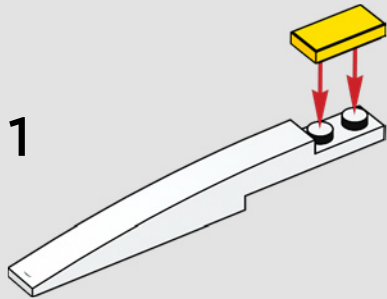
1x

26





27



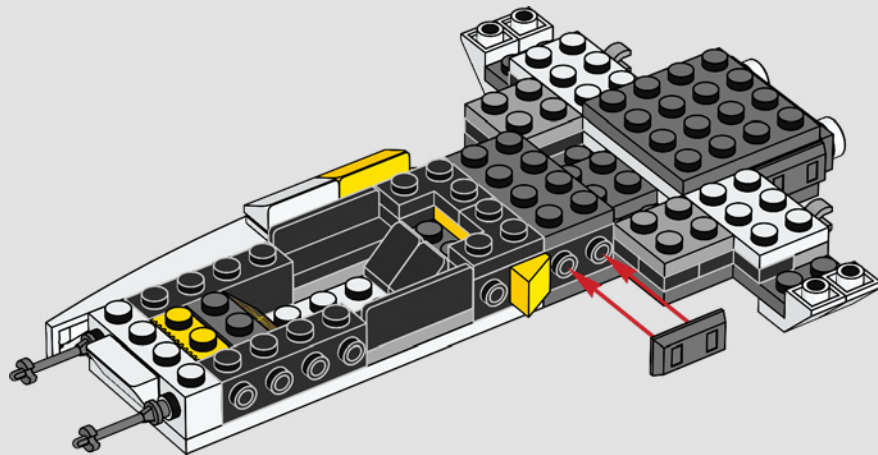
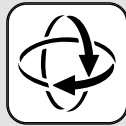


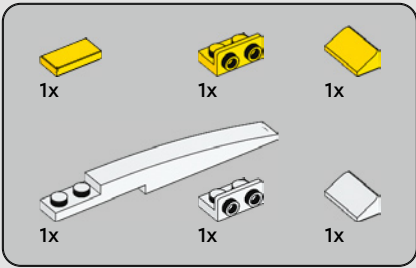
1x



1x

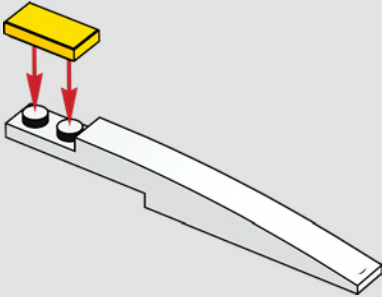
# 28



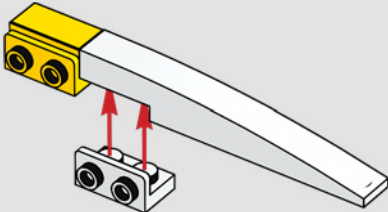


29

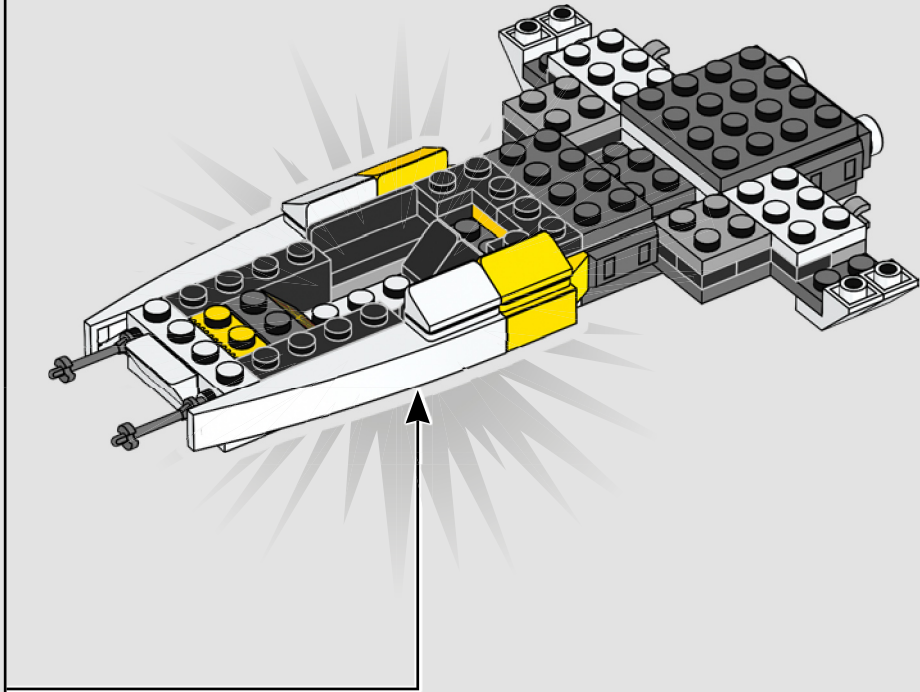
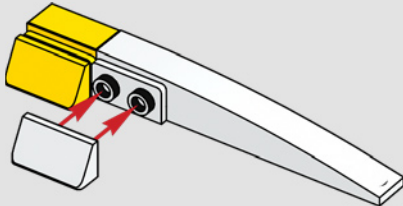
1

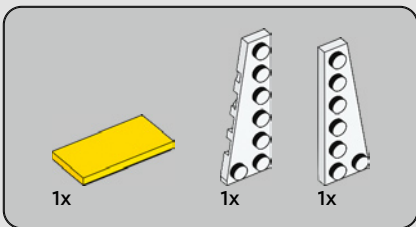


2

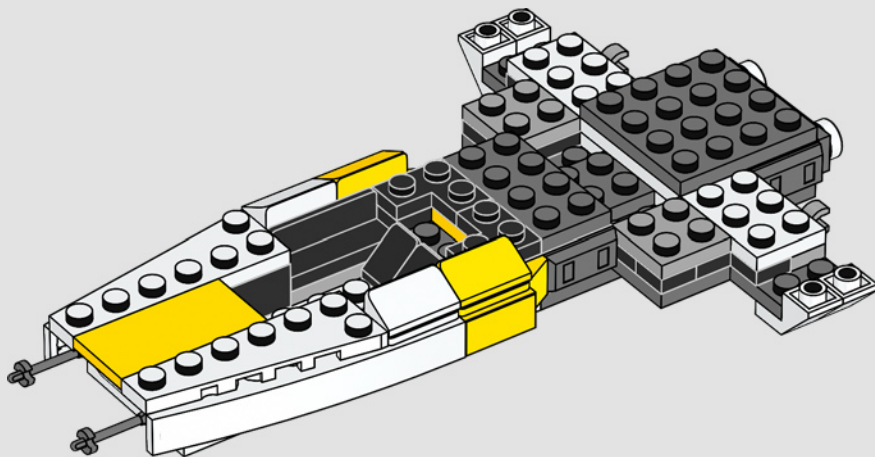


3





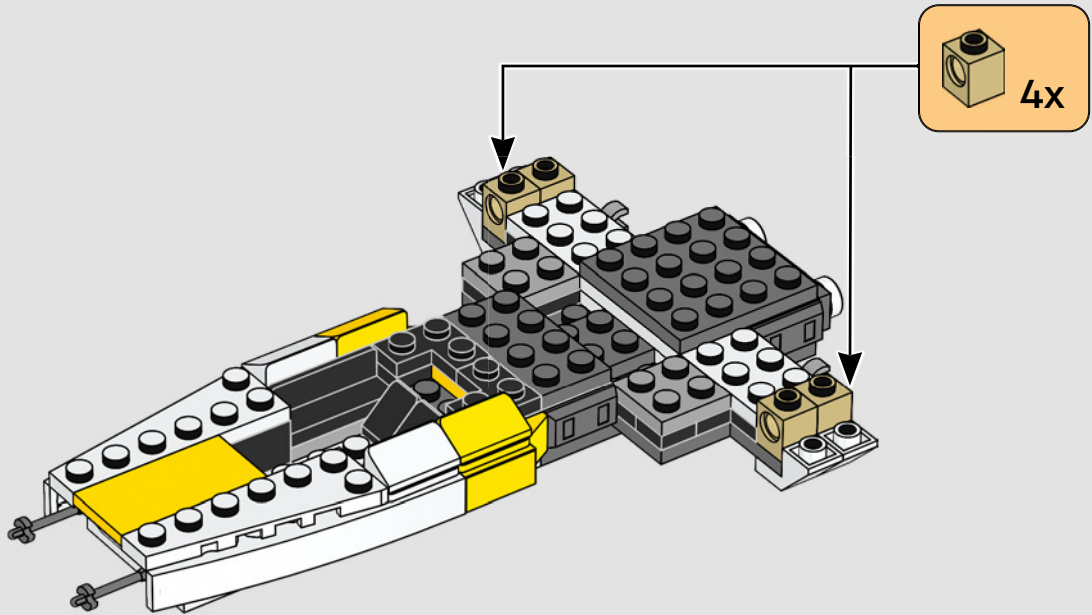
30



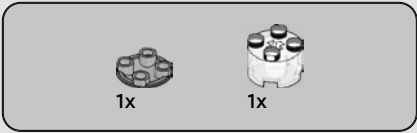




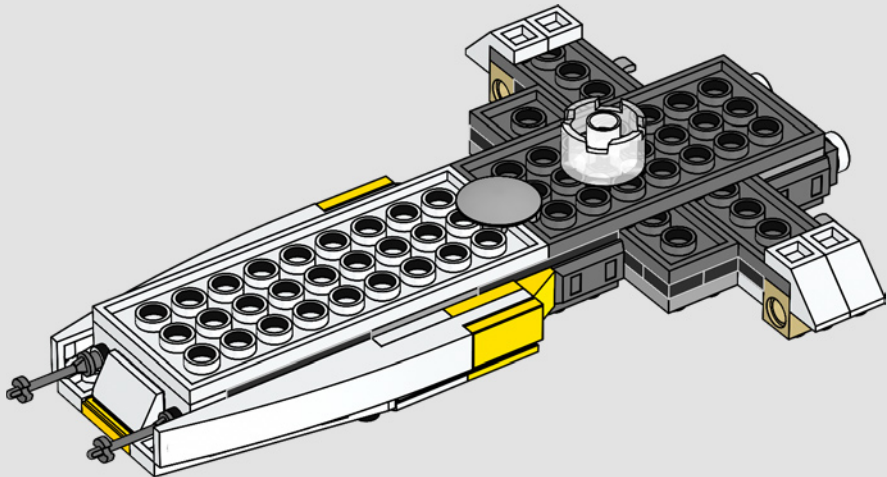
31







32



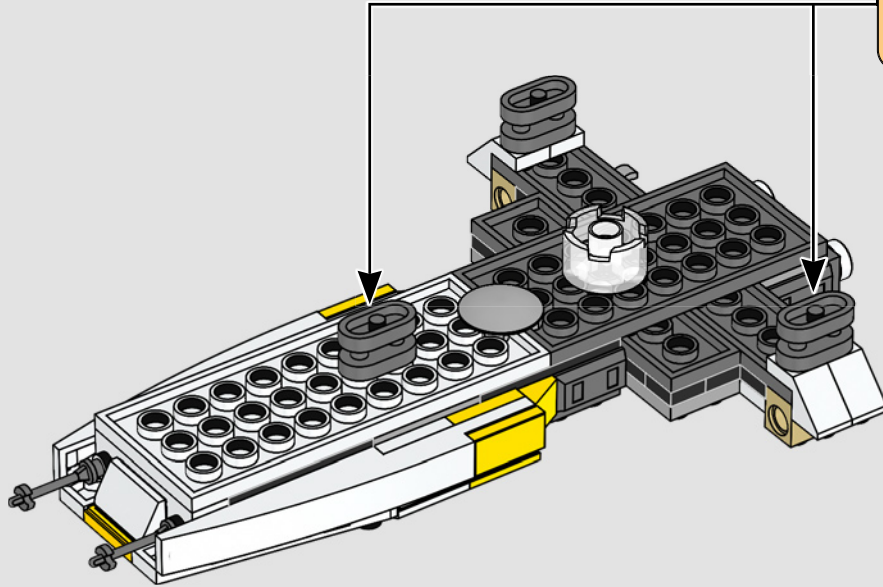


3x

33



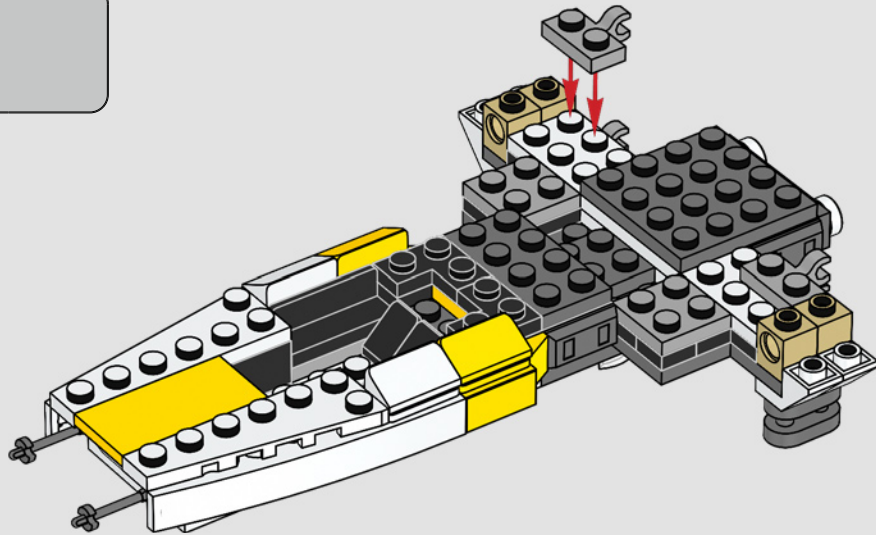
3x





2x

34

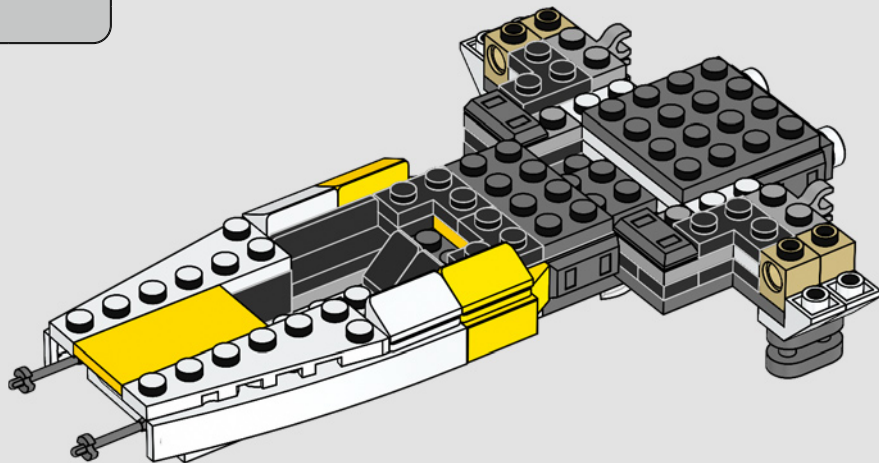


2x



2x

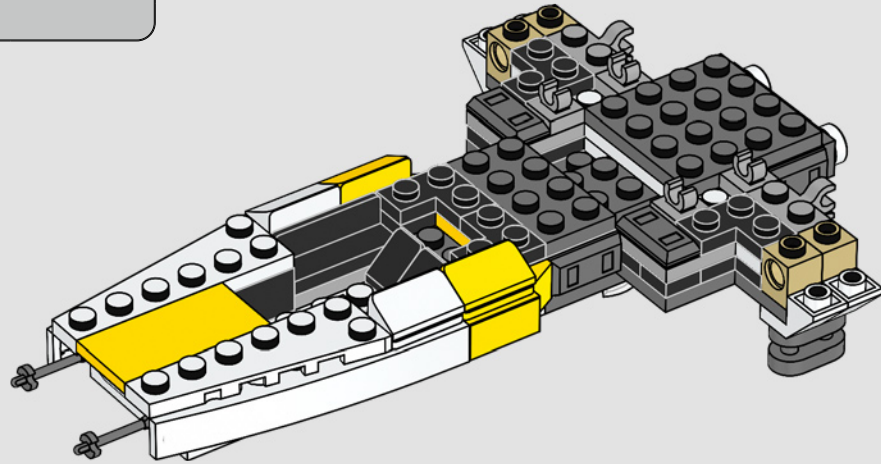
35





4x

36

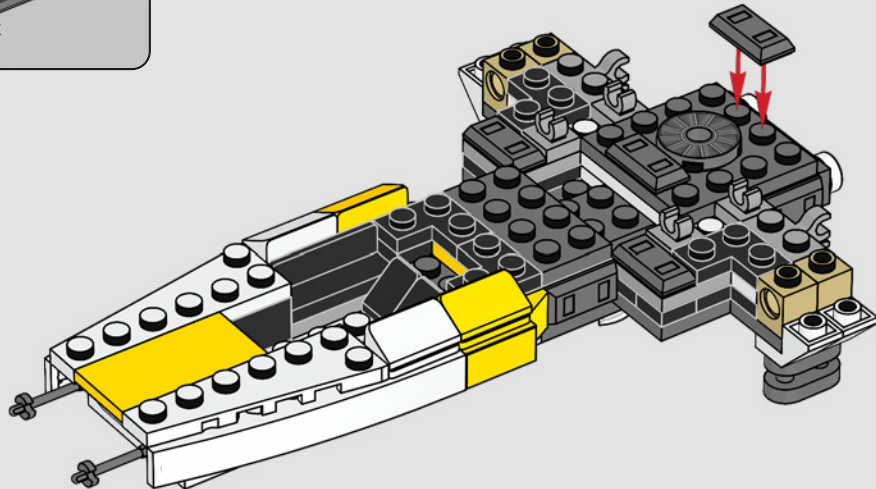


1x



2x

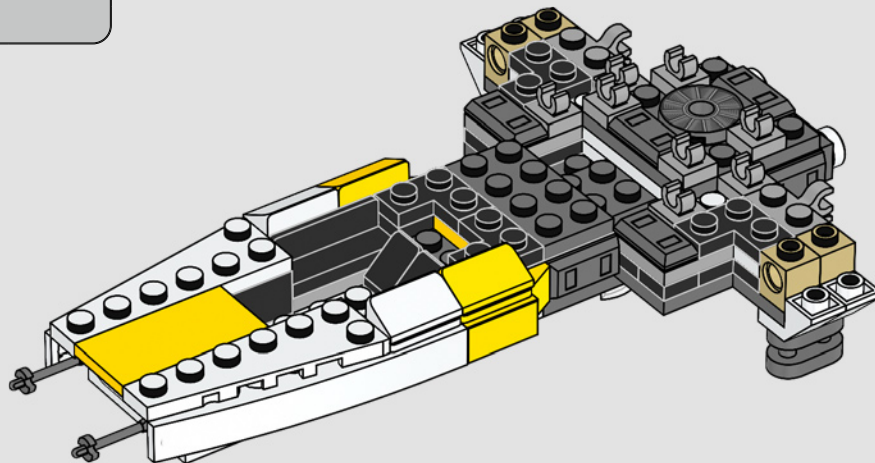
37





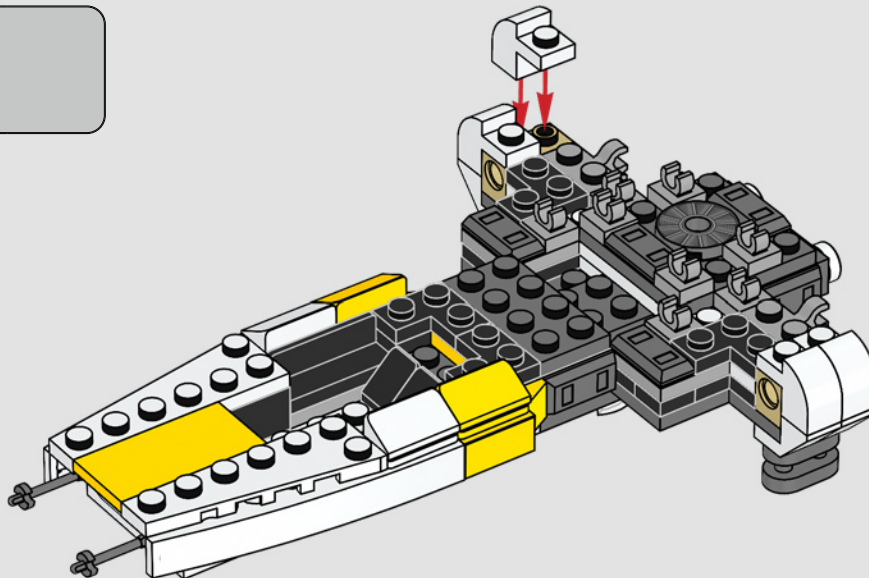
4x

38



4x

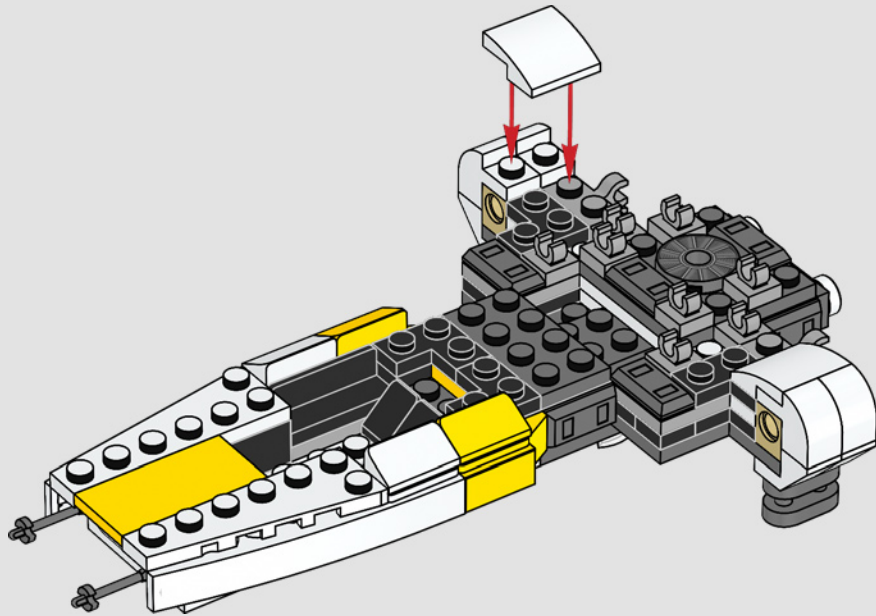
39

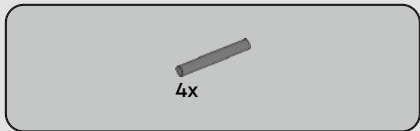




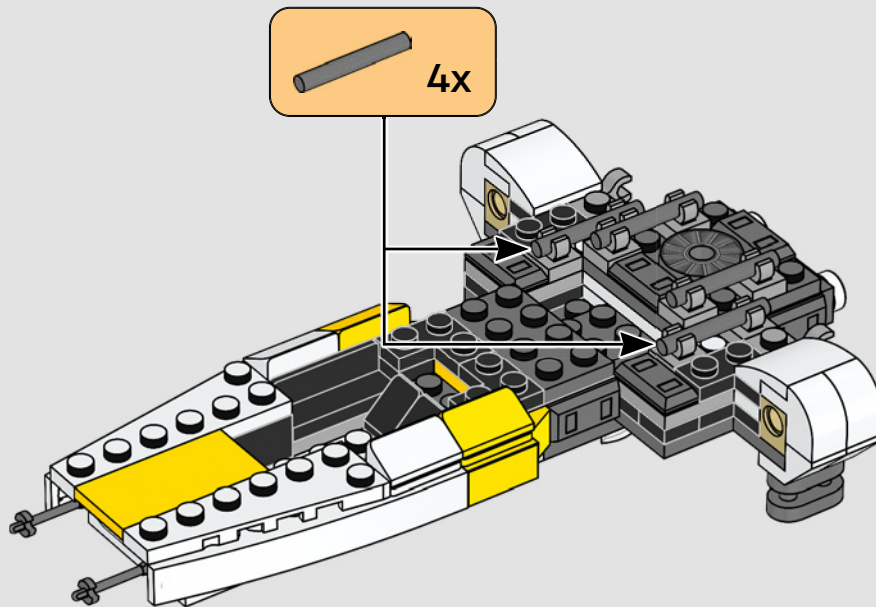
2x

40

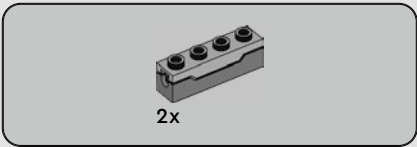




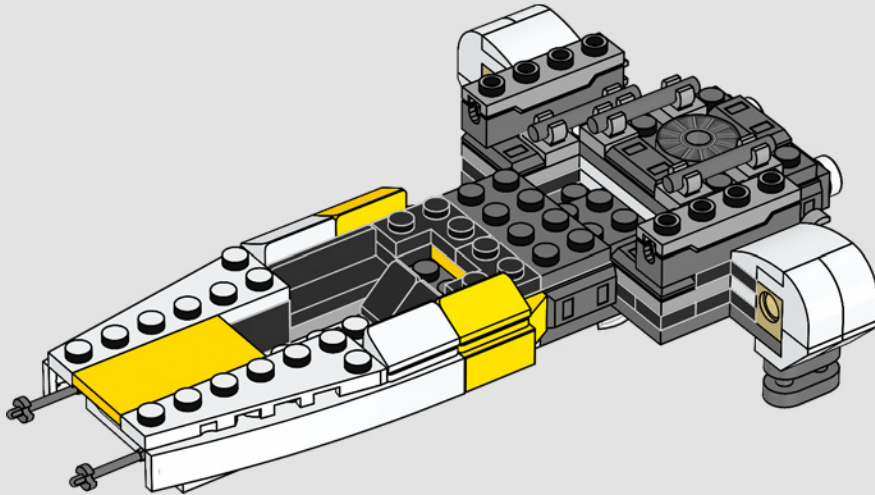
41







42



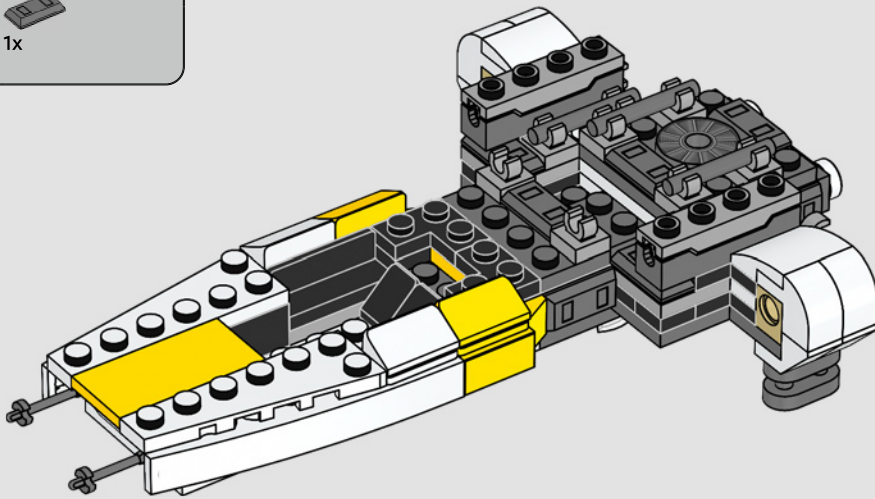


2x



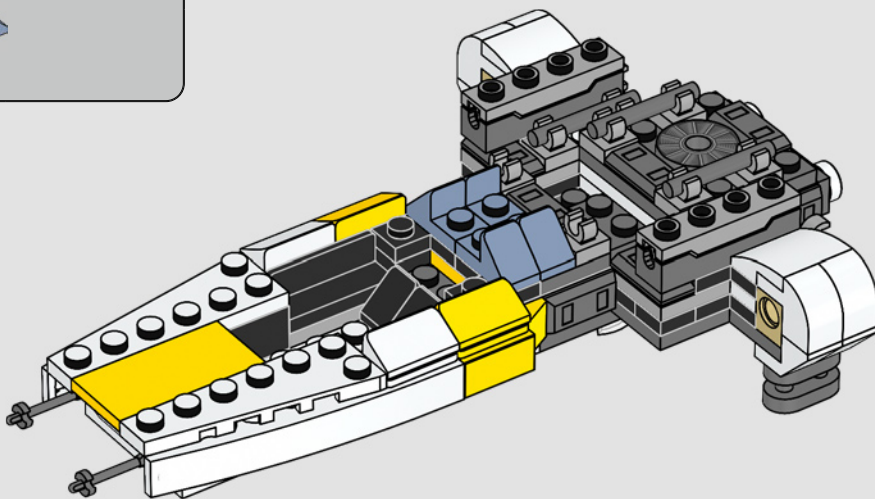
1x

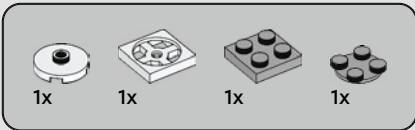
# 43



4x

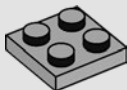
# 44



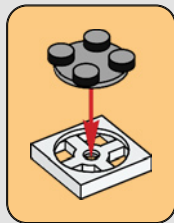


45

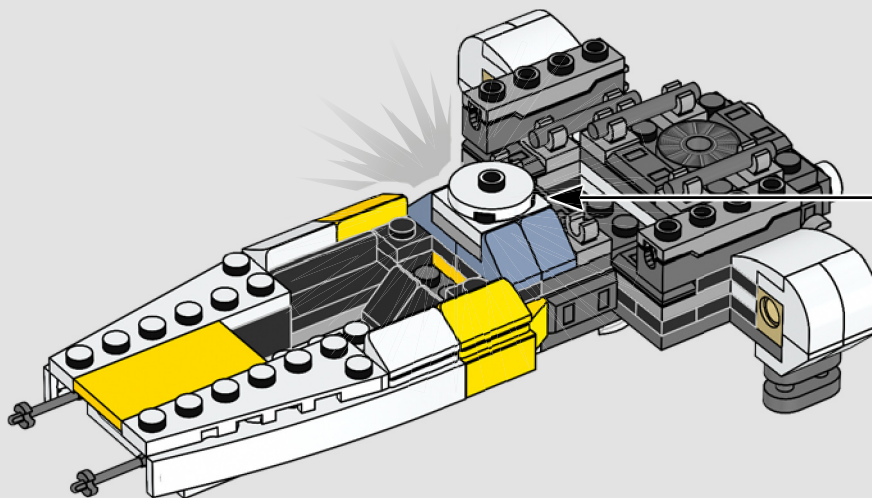
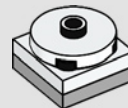
1

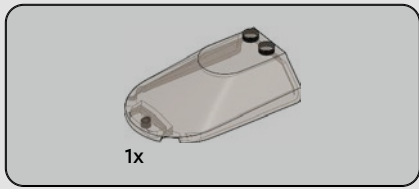


2

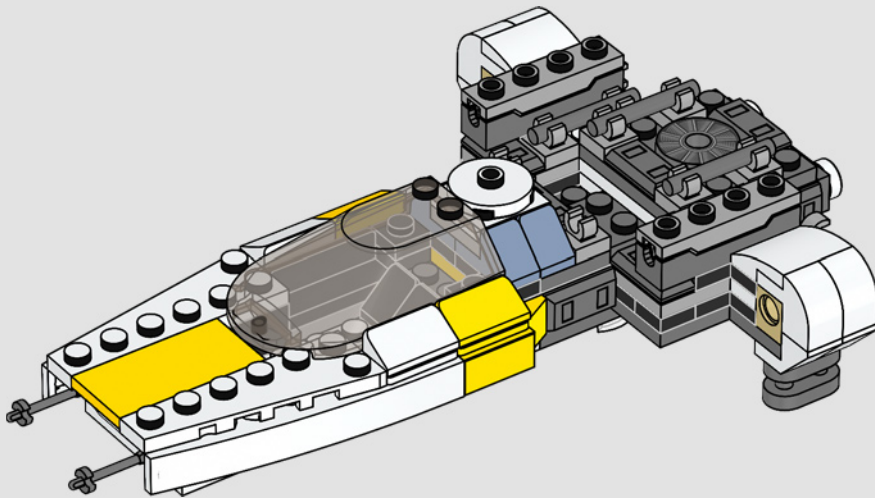


3





46





1x



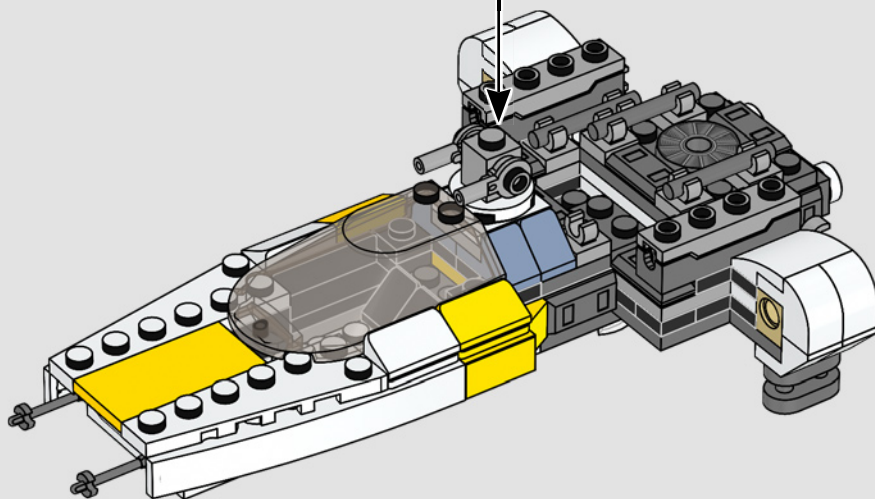
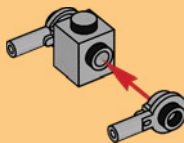
2x

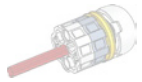
47

1

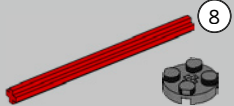


2





2x



2x



2x



2x



2x



2x

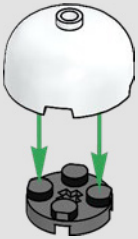


2x

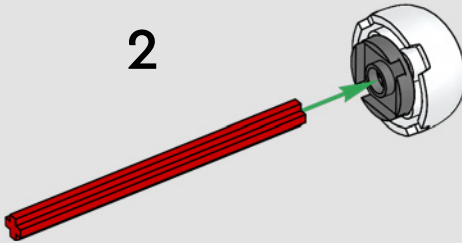
48



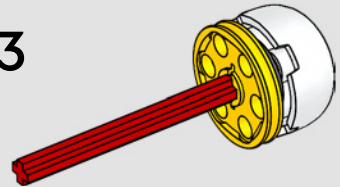
1



2



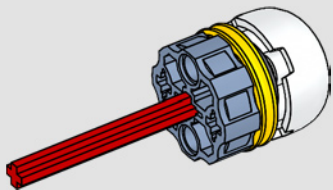
3



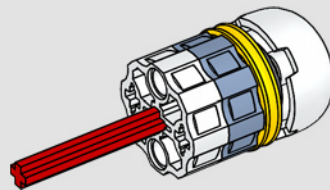
8

1:1

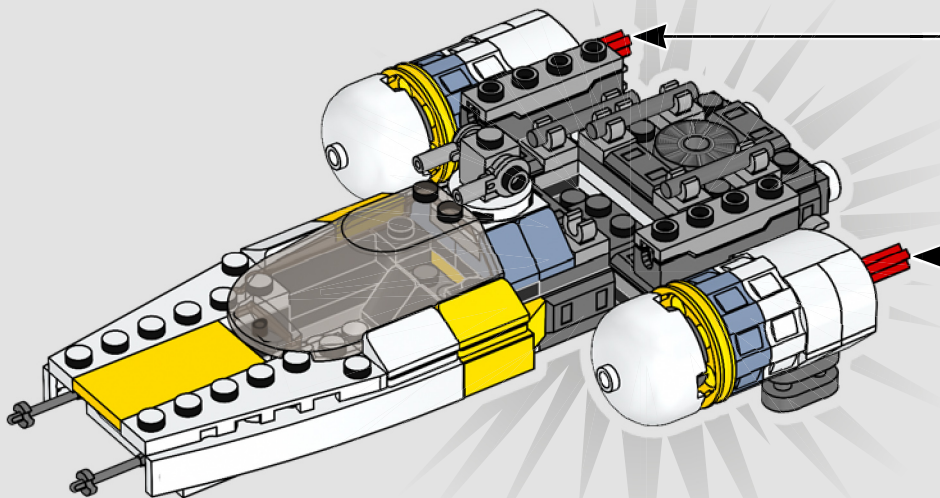
4



5



2x







2x



2x



2x



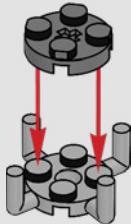
2x



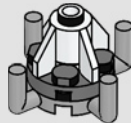
8x

49

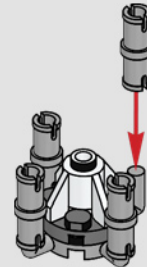
1



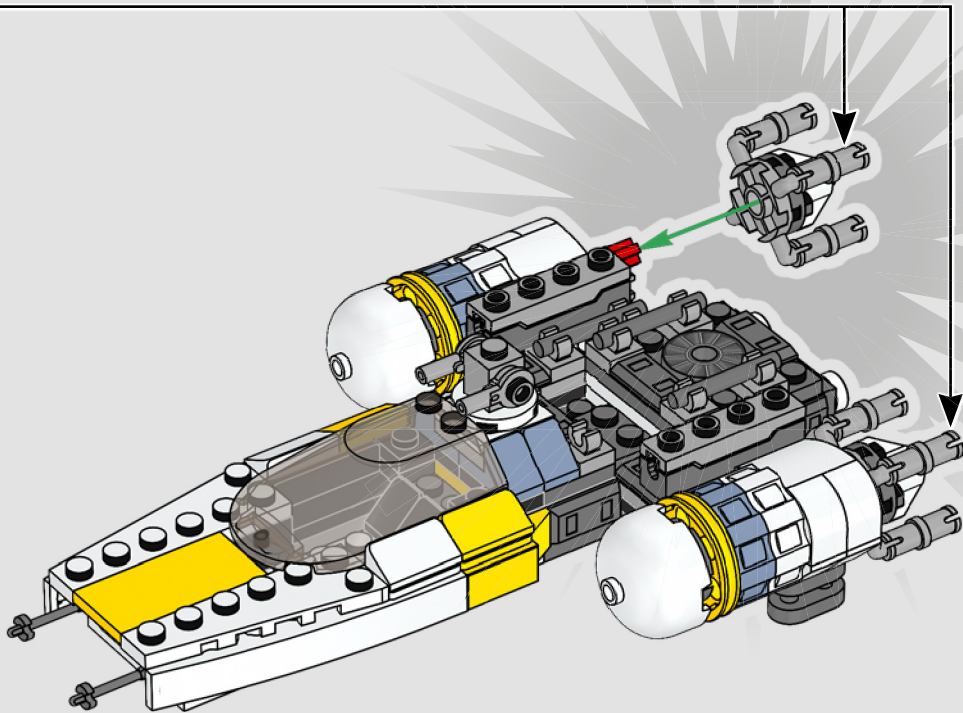
2



3



2x





2x



2x



2x



2x



2x



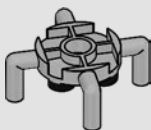
2x



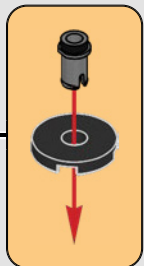
8x

50

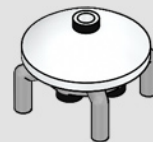
1



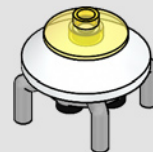
2



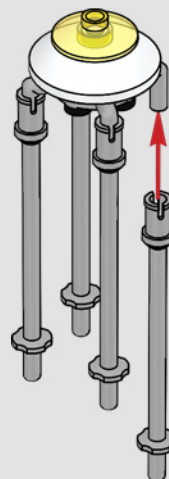
3



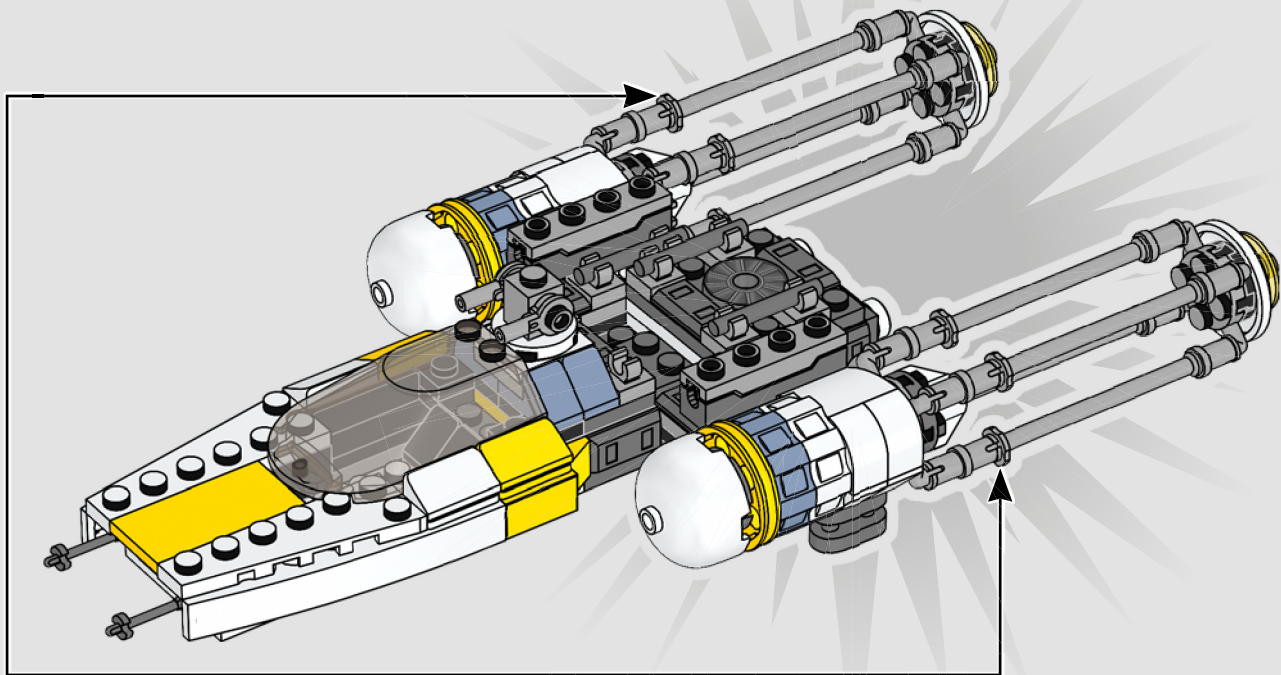
4

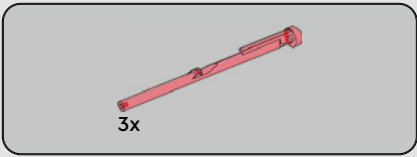


5

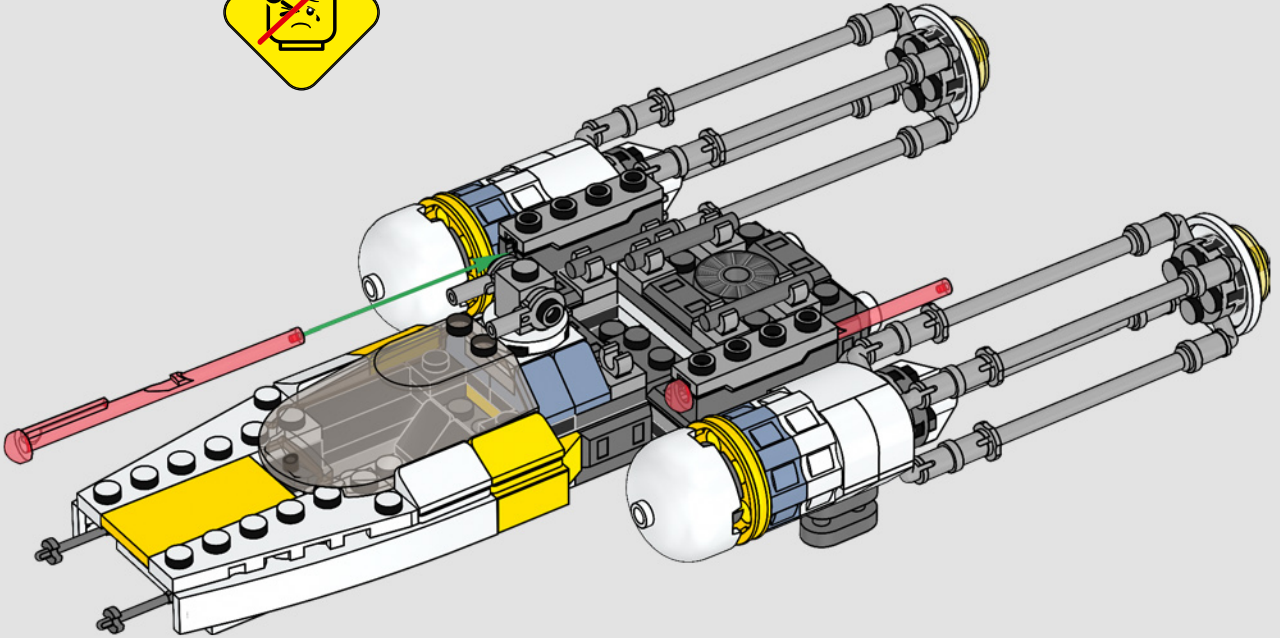


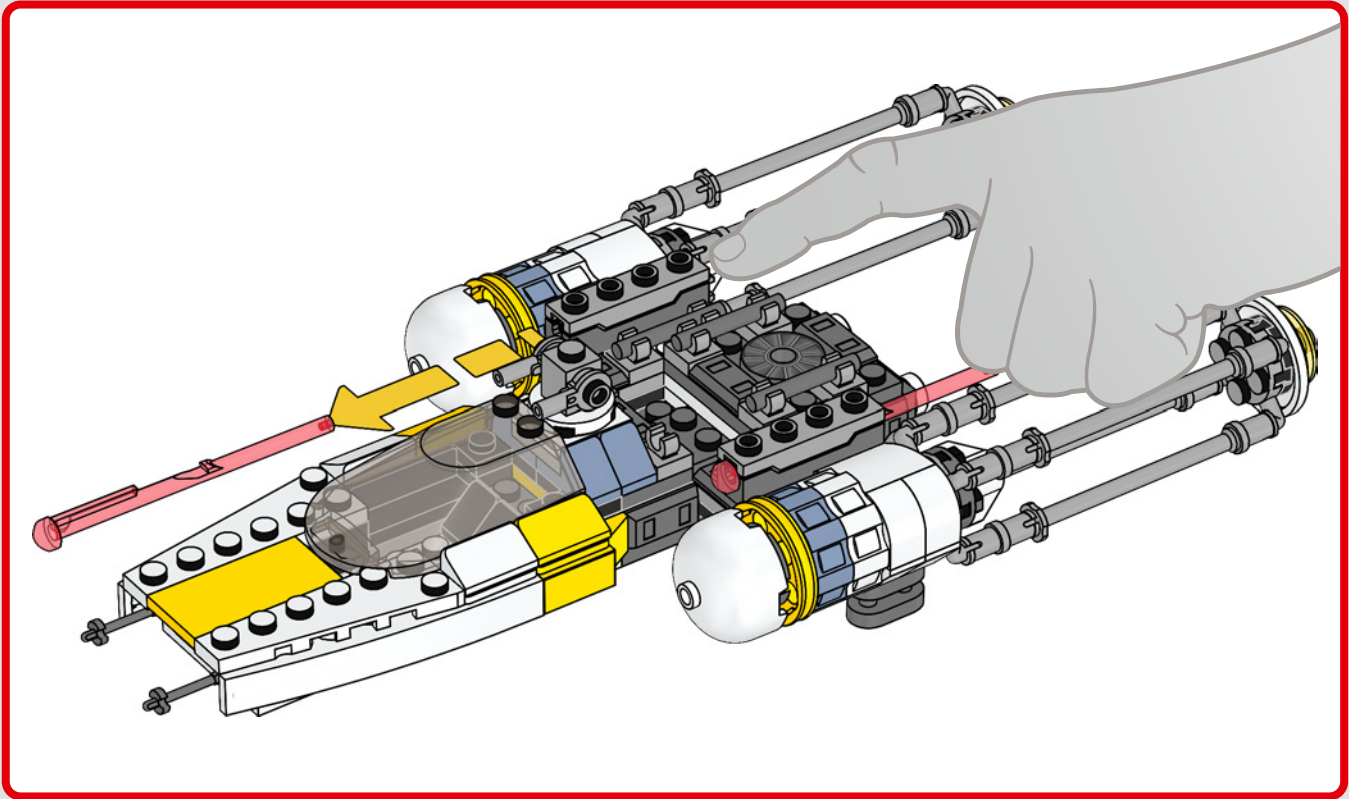
2x

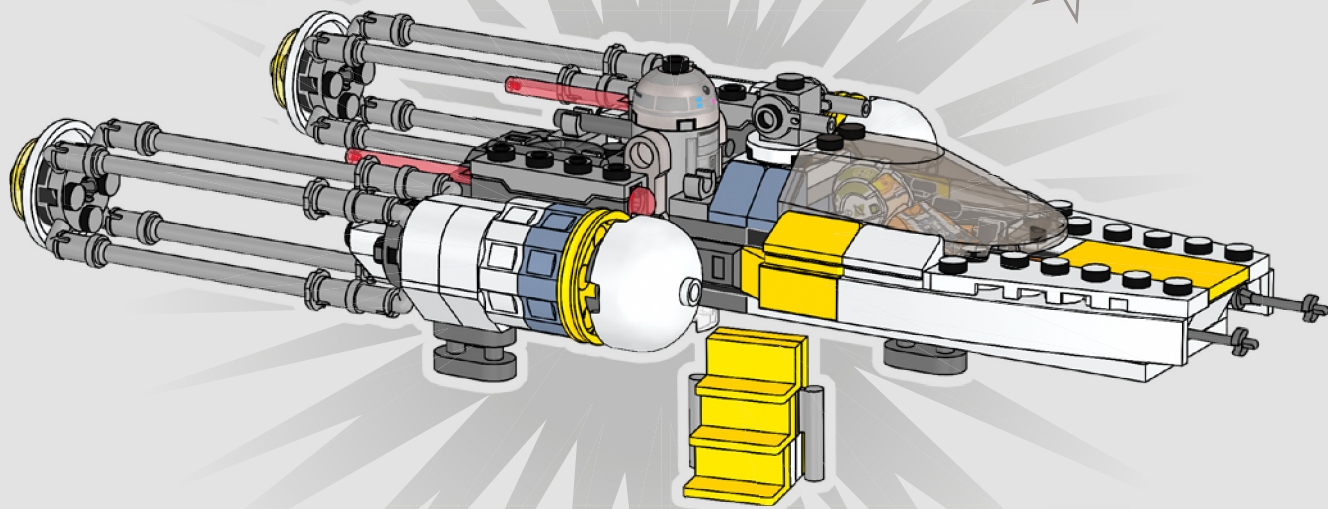




51

















# STAR WARS



75368



75369



75370



# STAR WARS™