



JURASSIC WORLD

76965



1



LEGO® Builder

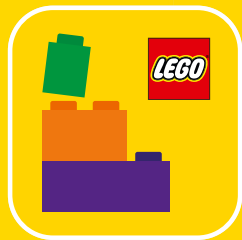


LEGO.com/sustainable-packaging



 ^{FR} **DONNEZ
OU
RECYCLEZ**  OU  OU 
ASSOCIATION MAGASIN DÉCHÈTERIE

Adresses sur quefairedemesdechets.fr



Q LEGO® Builder

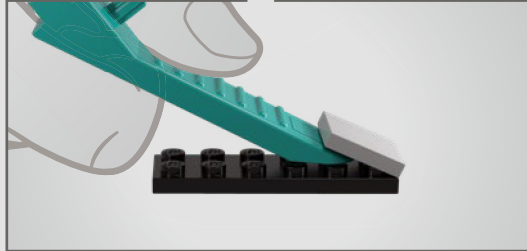
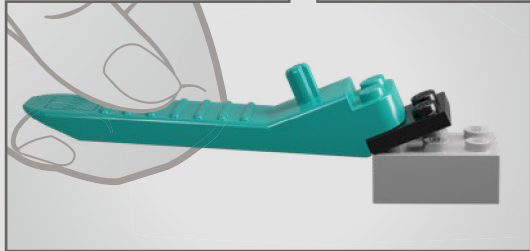
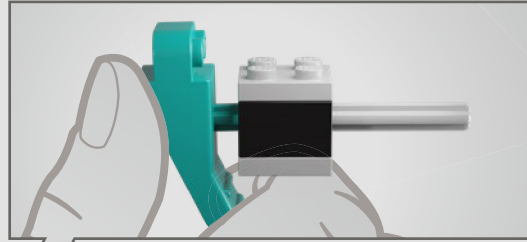
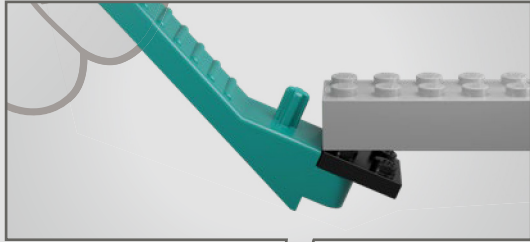
BUILDER

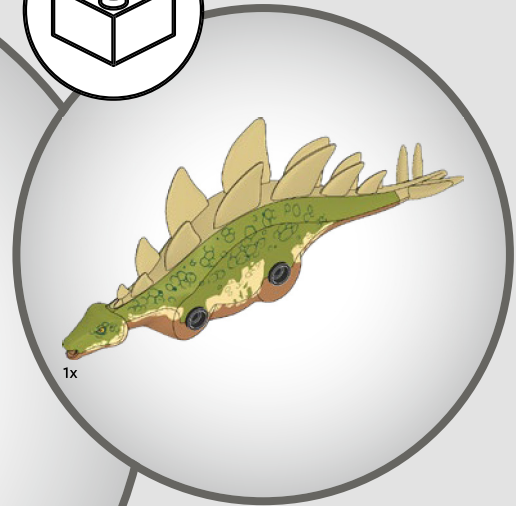
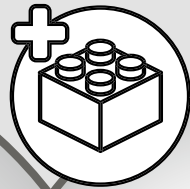


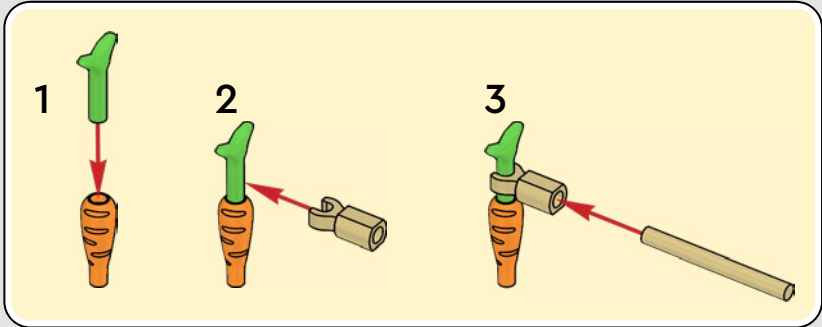
Apple and the Apple logo are trademarks of Apple Inc., registered in the U.S. and other countries and regions. App Store is a service mark of Apple Inc. Google Play and the Google Play logo are trademarks of Google LLC. Tencent and the Tencent logo are trademarks of Tencent Inc.

Q [LEGO.com/devicecheck](https://lego.com/devicecheck)

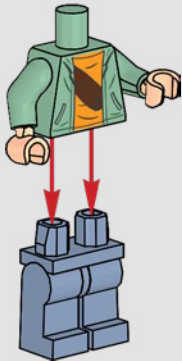
EN Ask parents' permission before going online | **DE** Eltern um Erlaubnis bitten, bevor du online gehst | **FR** Demande l'autorisation d'un parent avant d'aller en ligne | **IT** Chiedi il permesso ai tuoi genitori prima di andare online | **ES** Pídeles permiso a tus papás antes de conectarte a Internet | **PT** Pede autorização aos pais antes de acederes online | **ZH** 上网前应先征得父母的同意 | **PL** Poproś rodziców o zgodę, zanim wejdiesz do Internetu | **CS** Než půjdeš na internet, požádej rodiče o svolení | **SK** Skôr než pôjdeš na internet, vypýtaj si povolenie od rodičov | **HU** Kérj szülői engedélyt, mielőtt online csatlakoznál! | **RO** Cere permisiunea părinților înainte de a te conecta online | **BG** Поискайте разрешение от родител, преди да влезете онлайн | **LV** Pirms došanās tiešsaistē palūdz atļauju vecākiem | **ET** Enne Interneti kasutamist küsi vanematelt luba | **LT** Prieš prisijungdami prie interneto, atsiklauskite tėvų



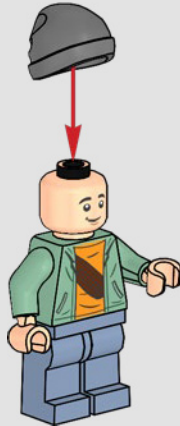




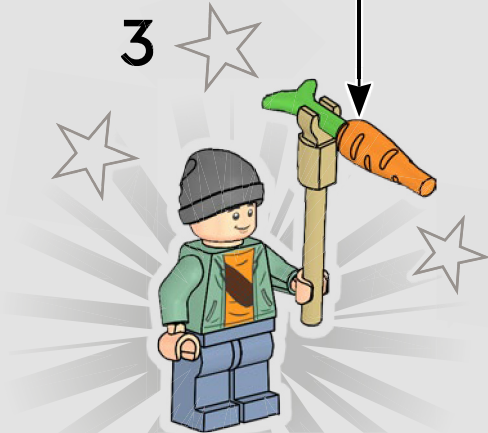
1

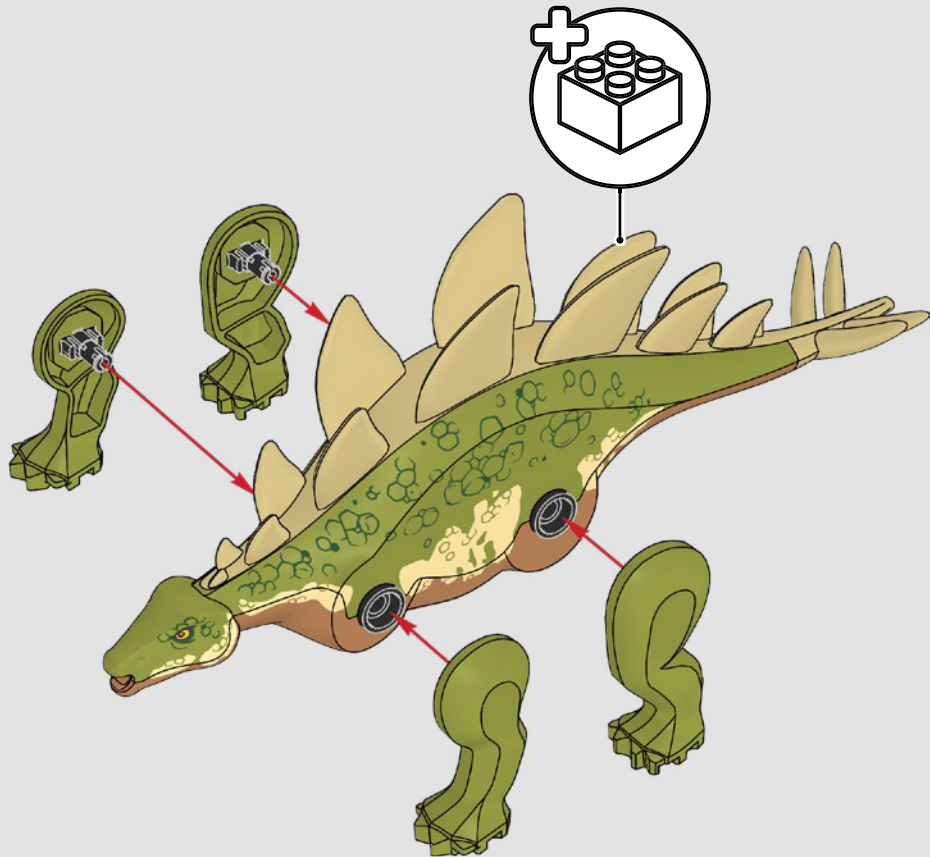
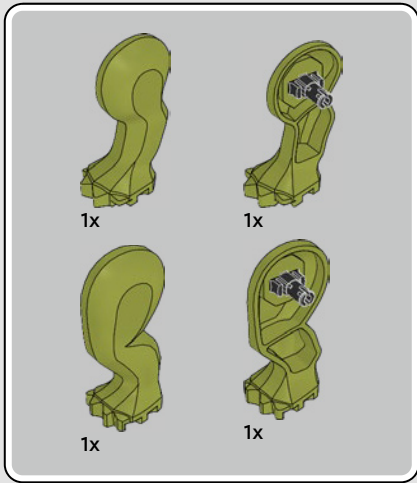


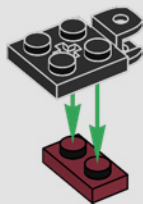
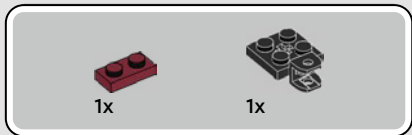
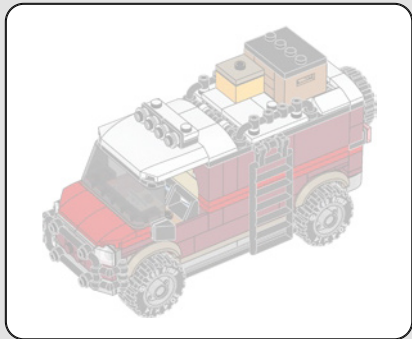
2



3

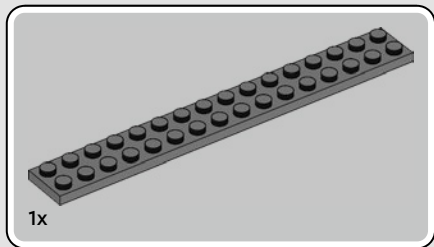




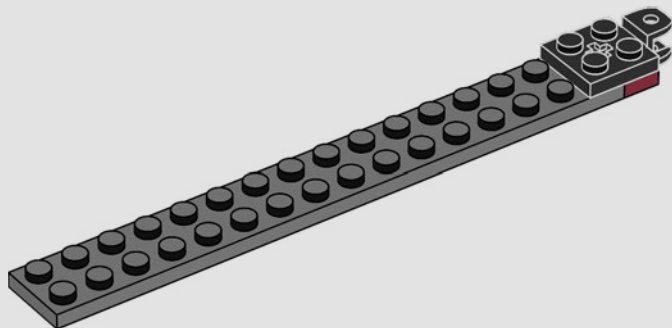


1





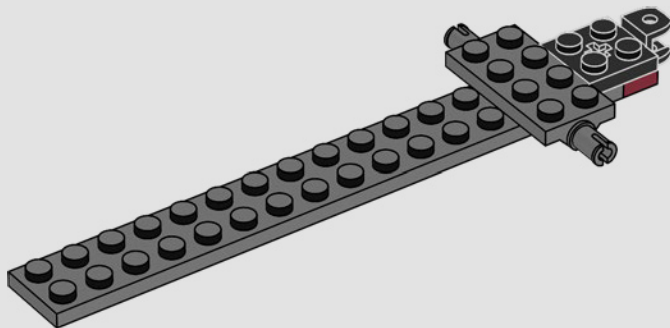
2

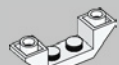




1x

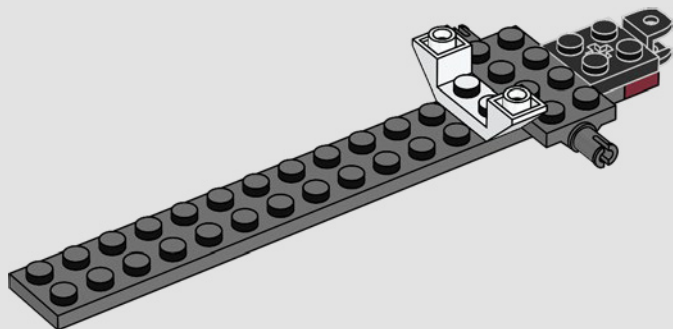
3

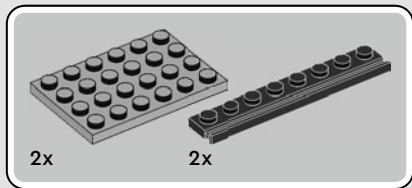




1x

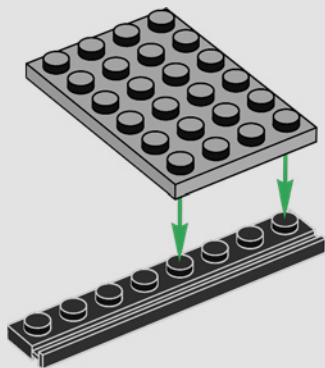
4



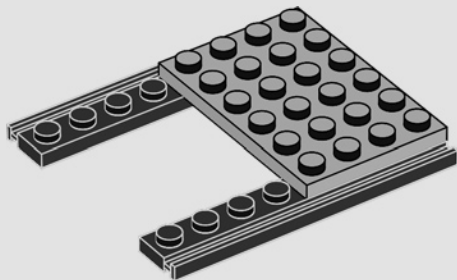


5

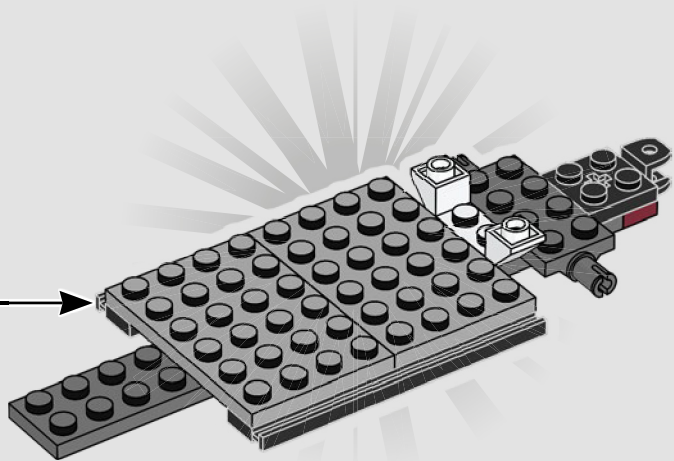
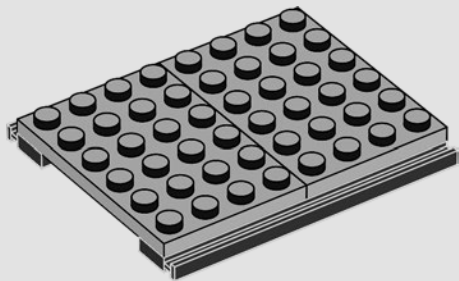
1

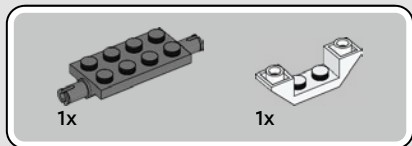


2

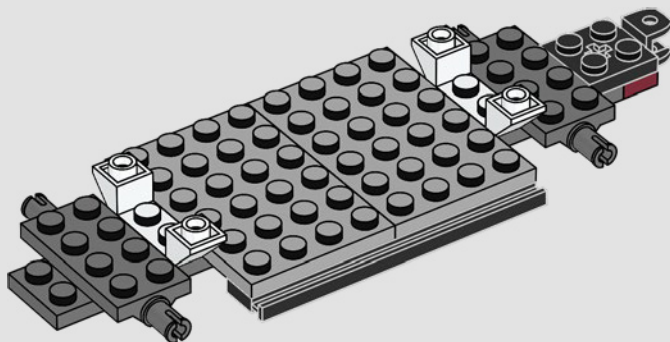


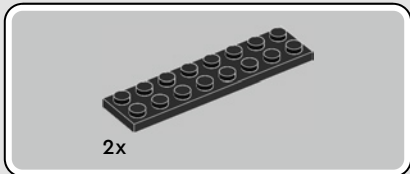
3



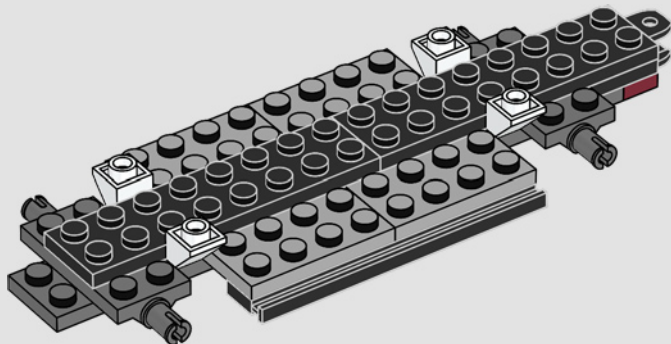


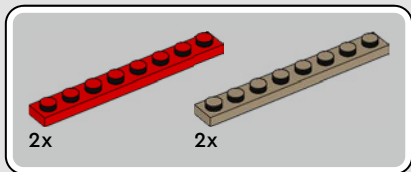
6



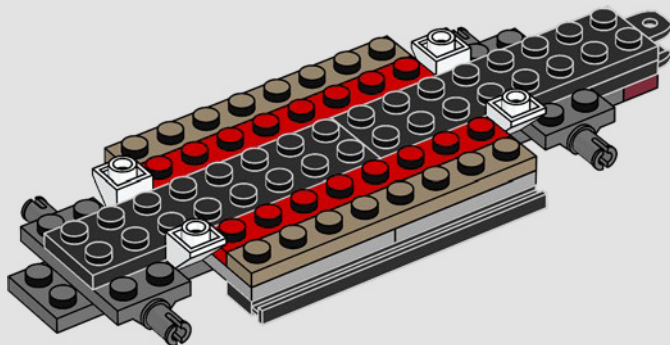


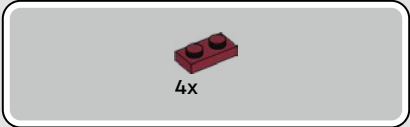
7



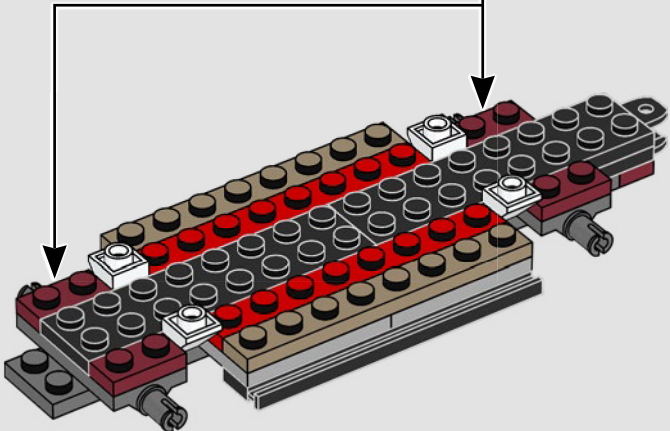
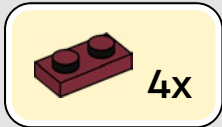


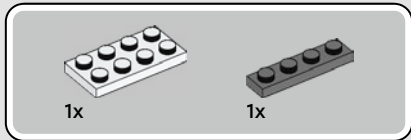
8



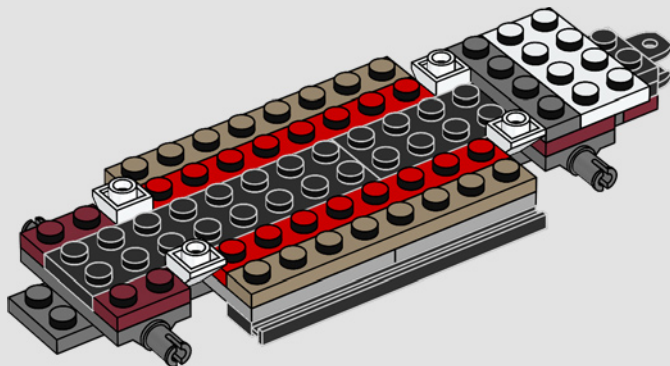


9





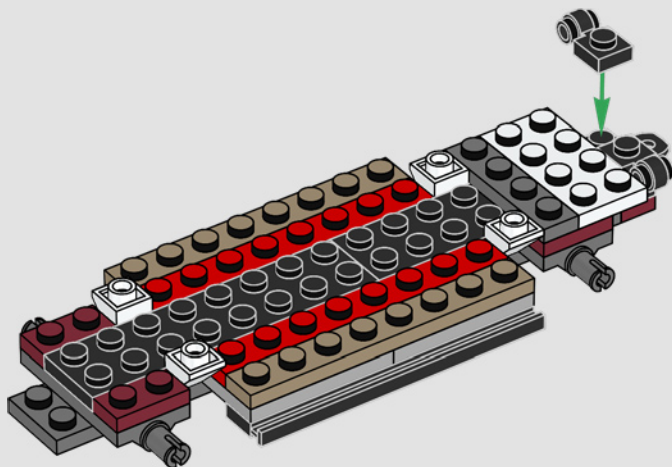
10





2x

11



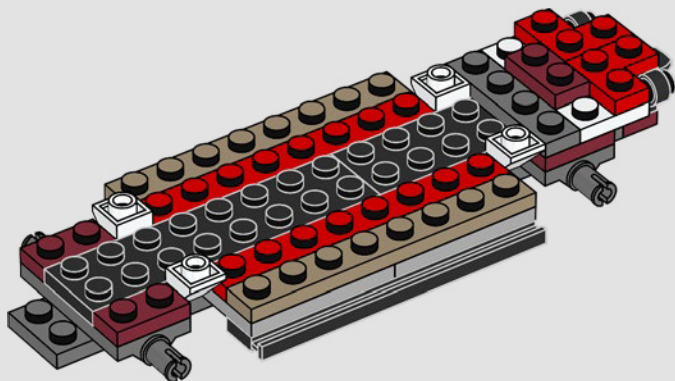


2x



1x

12



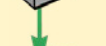
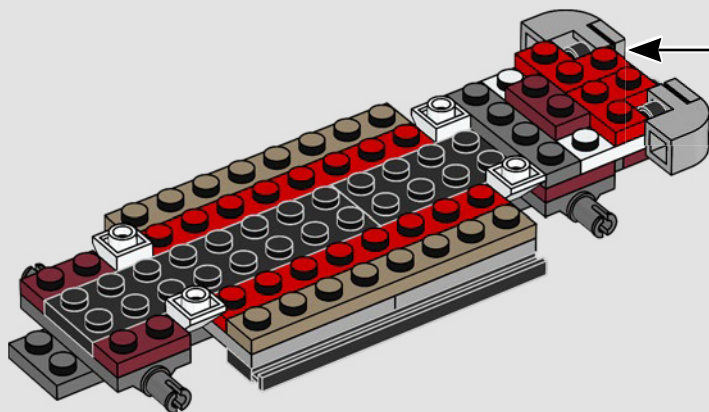


2x

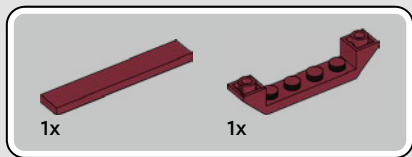


2x

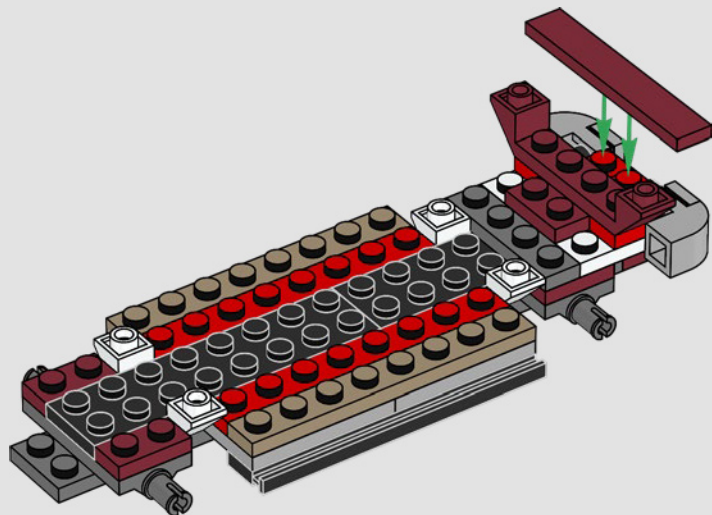
13



2x



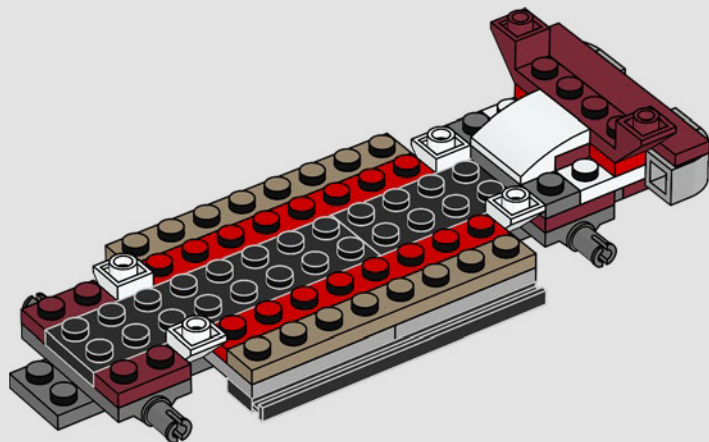
14

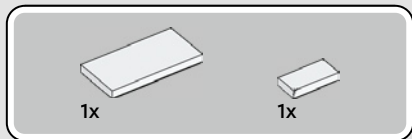




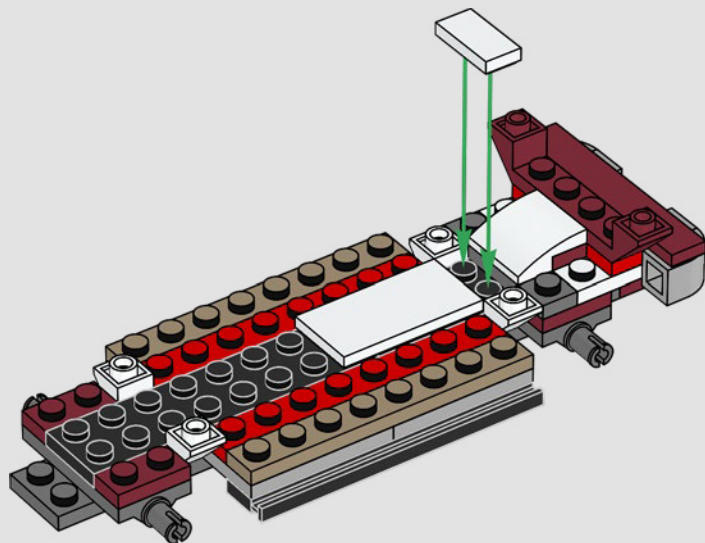
1x

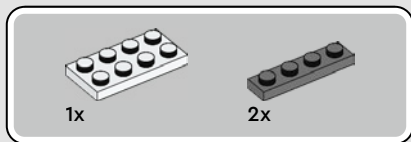
15



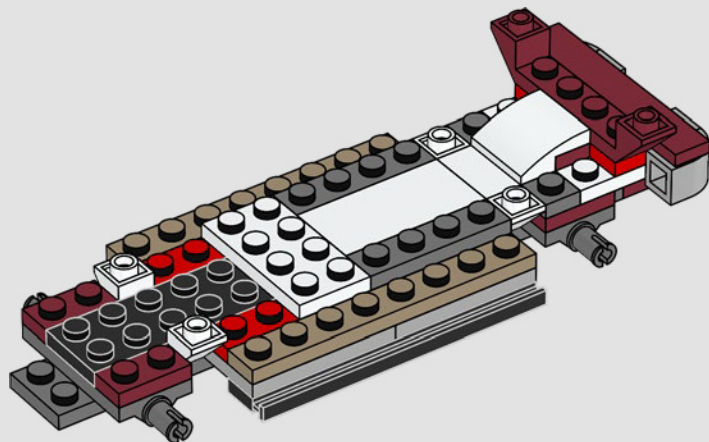


16





17



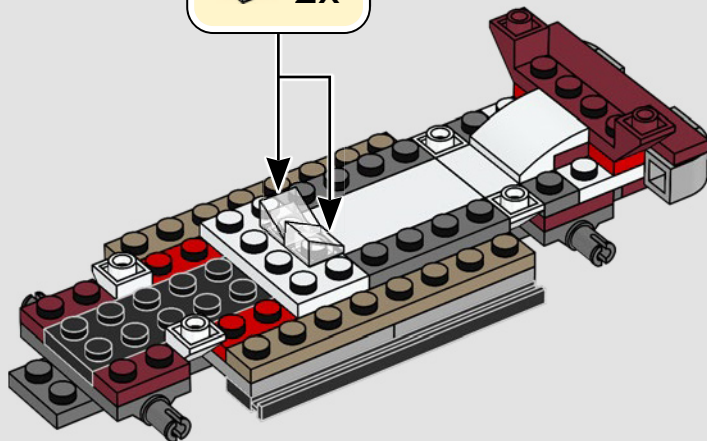


2x

18



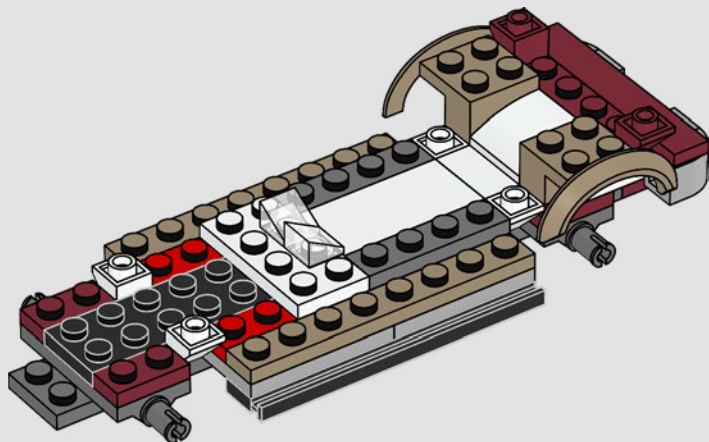
2x

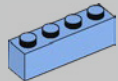




2x

19



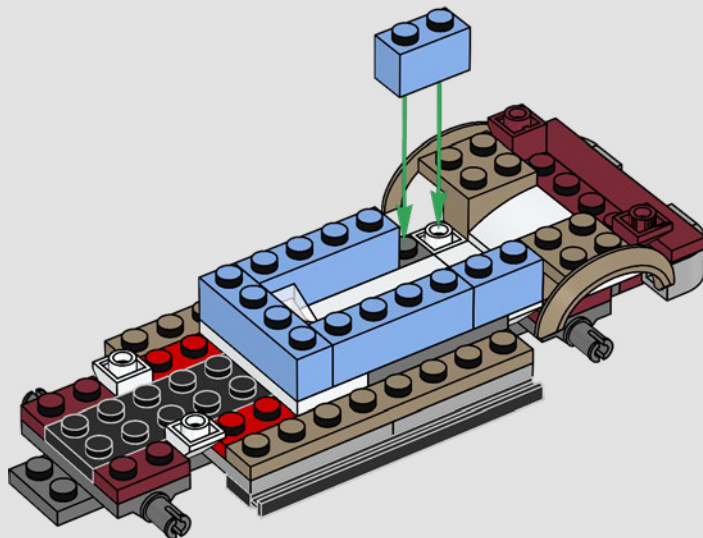


3x



2x

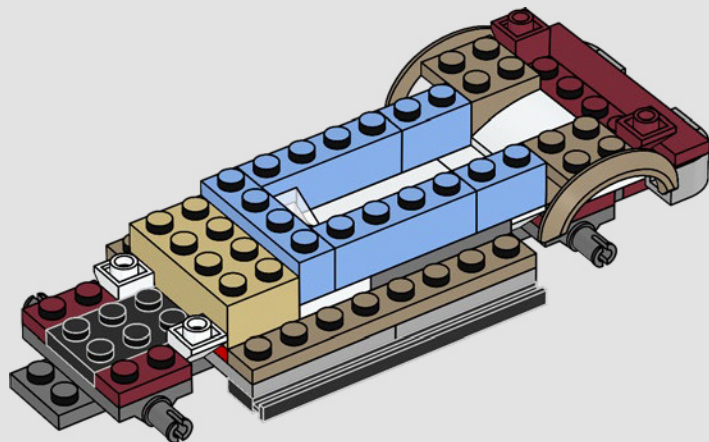
20

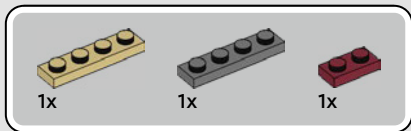




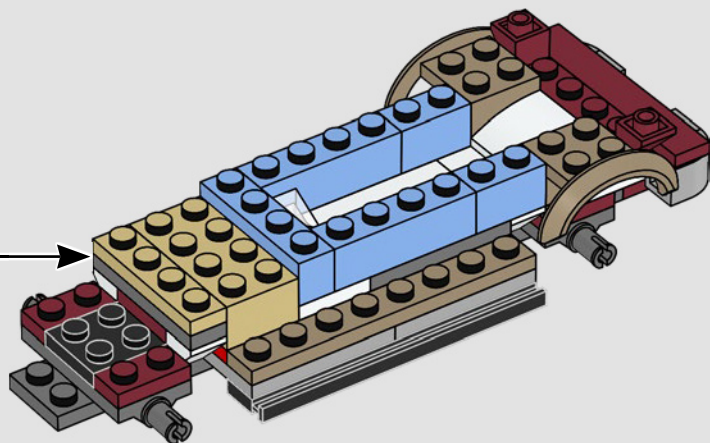
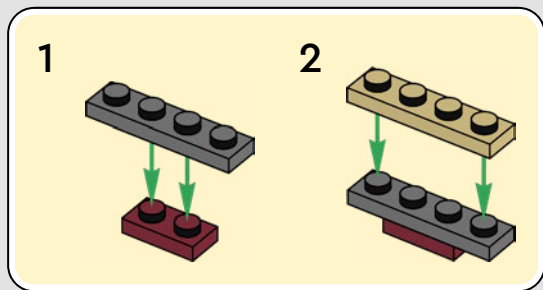
1x

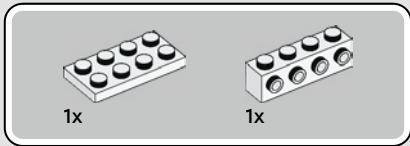
21



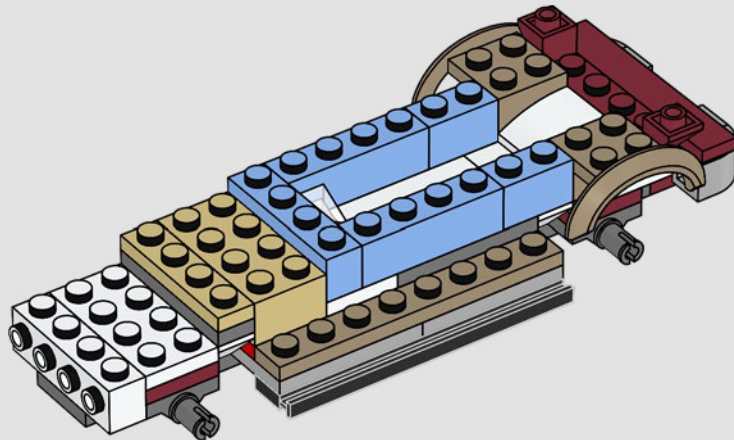


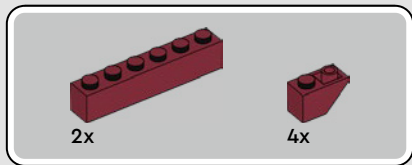
22



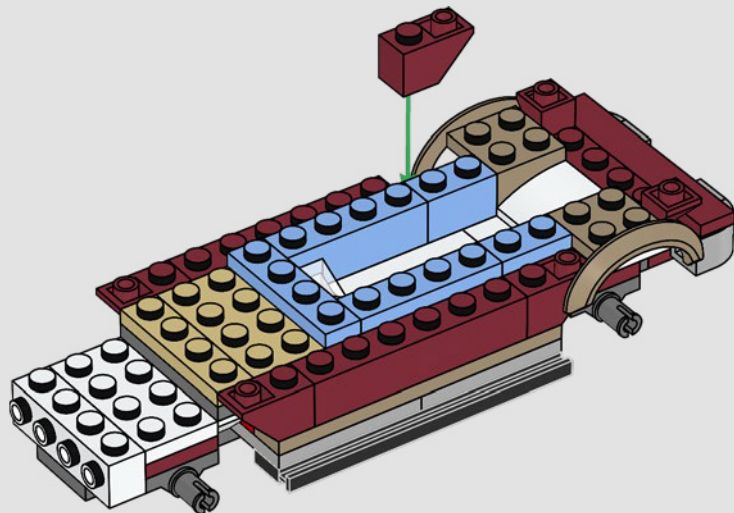


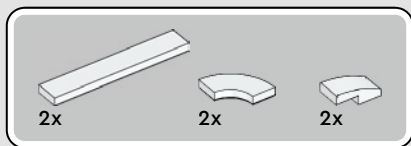
23



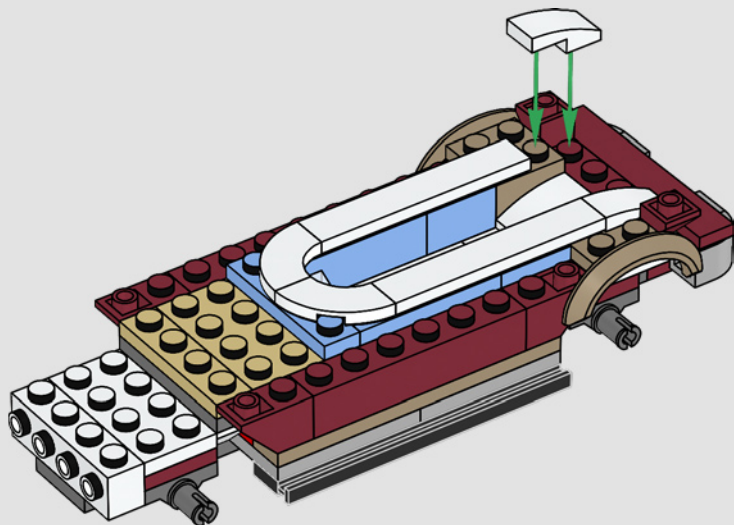


24





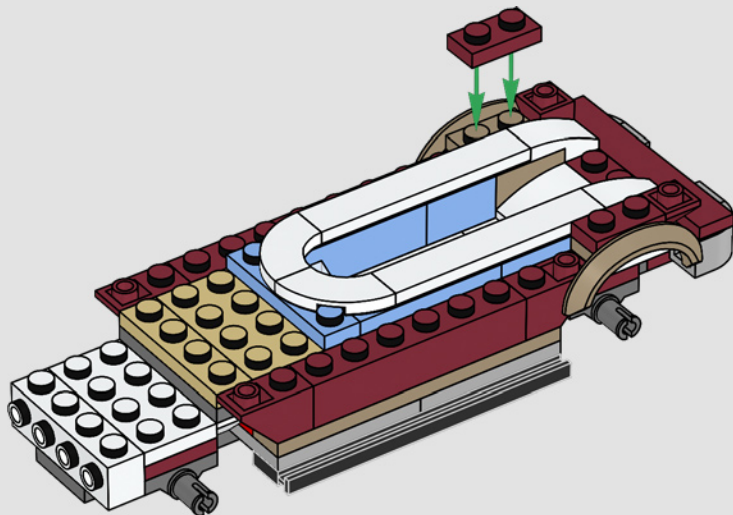
25





2x

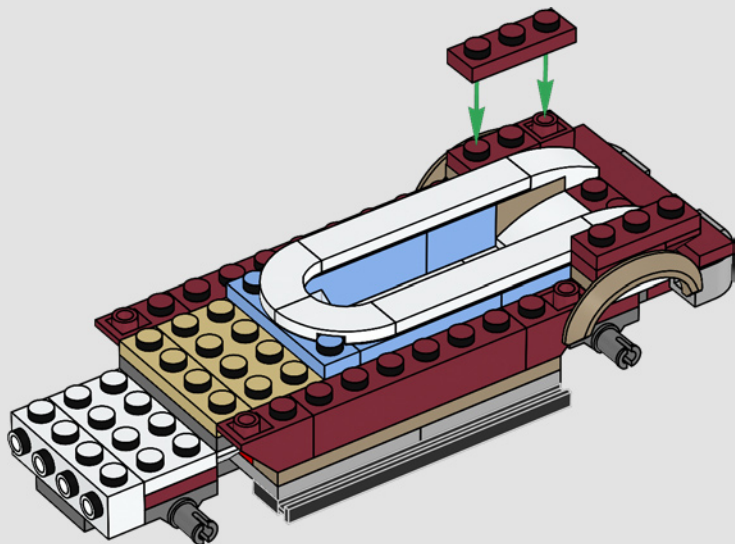
26

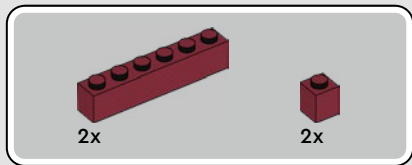




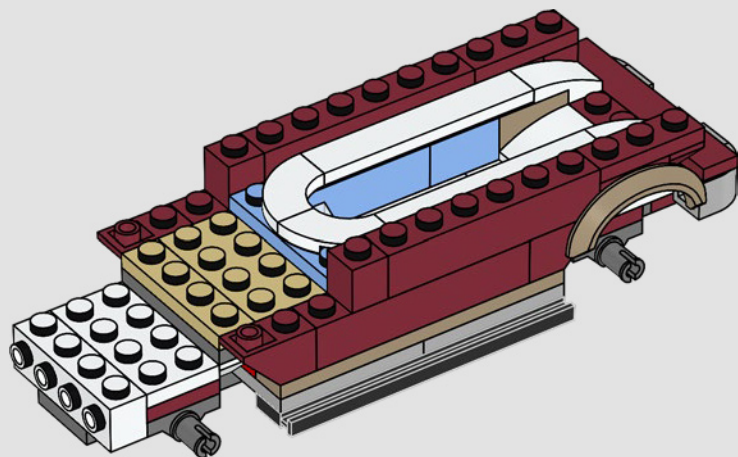
2x

27





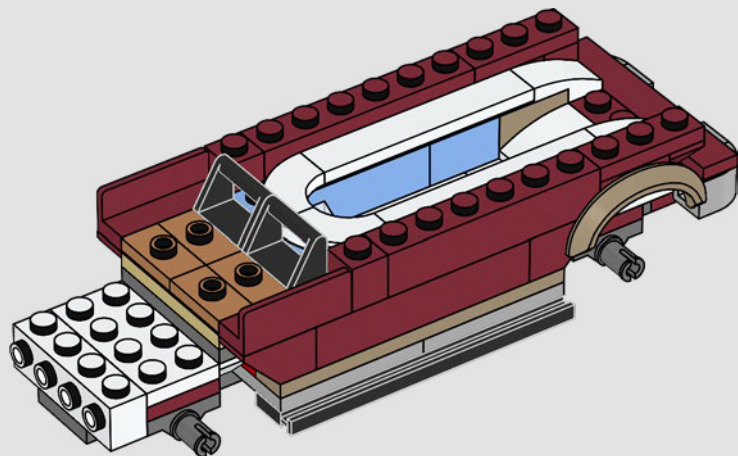
28

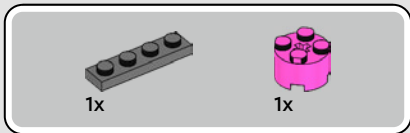




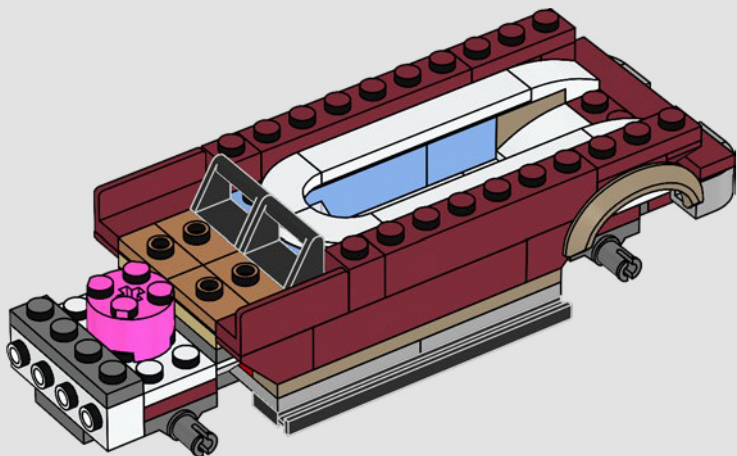
4x

30





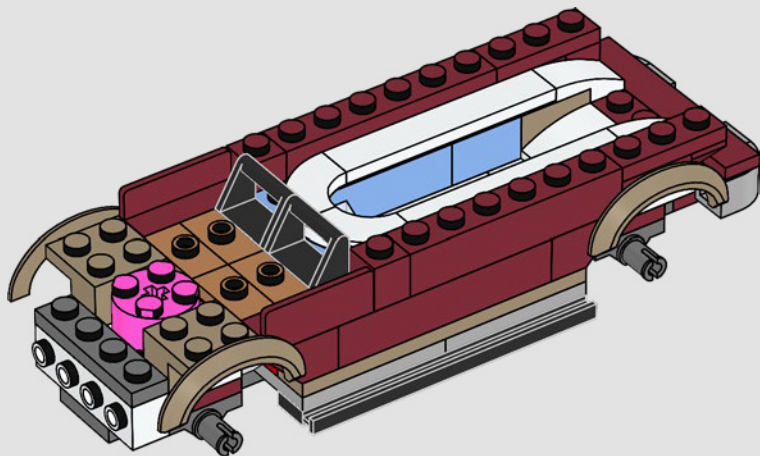
31

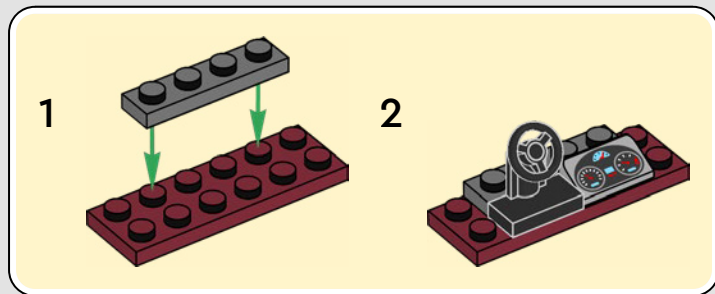
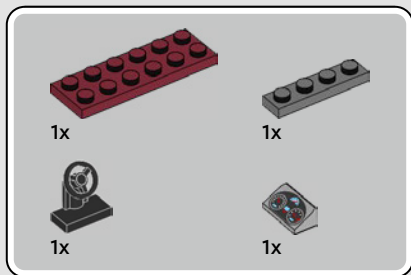




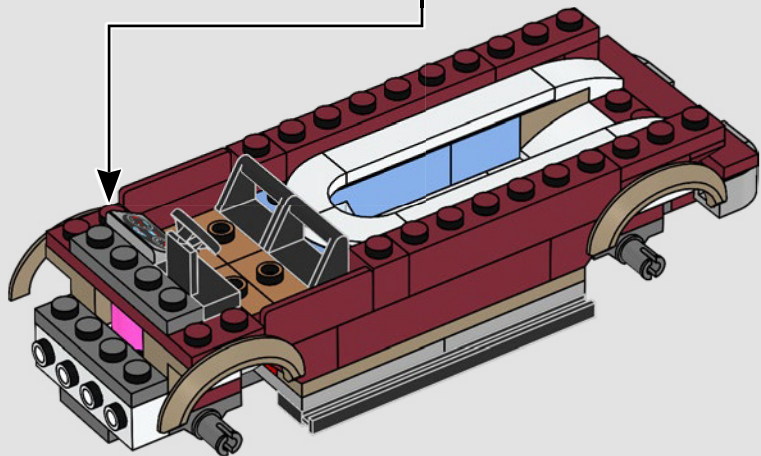
2x

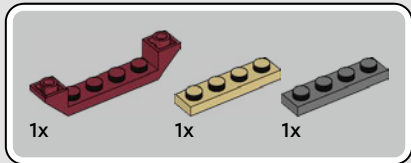
32



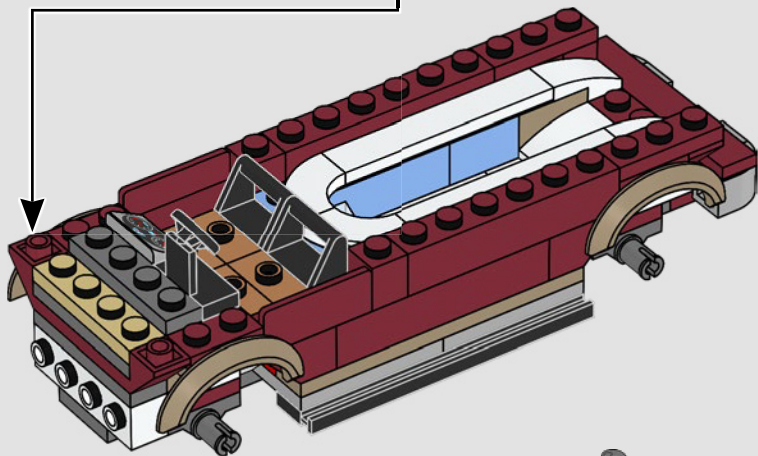
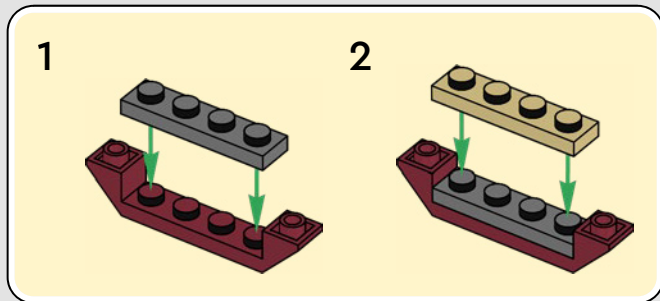


33





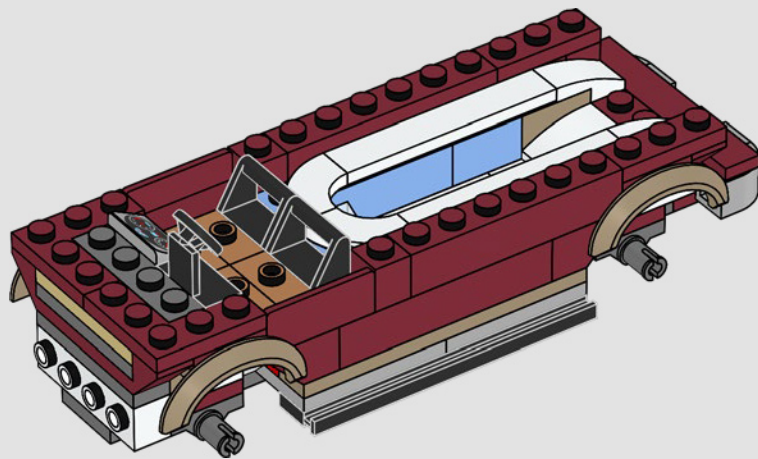
34





2x

35





1x



2x

37

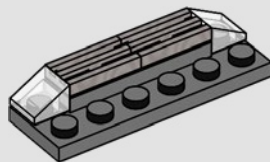
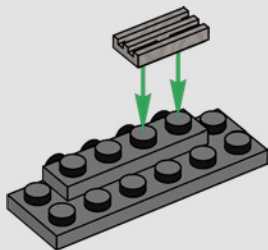


1x



1x

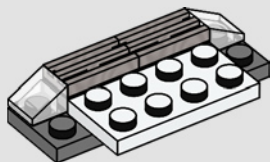
36





1x

38

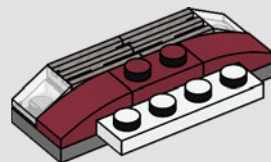


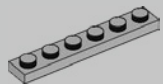
1x



2x

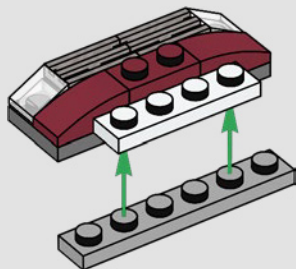
39





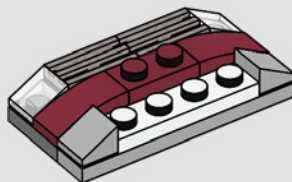
1x

40



2x

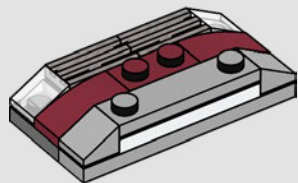
41



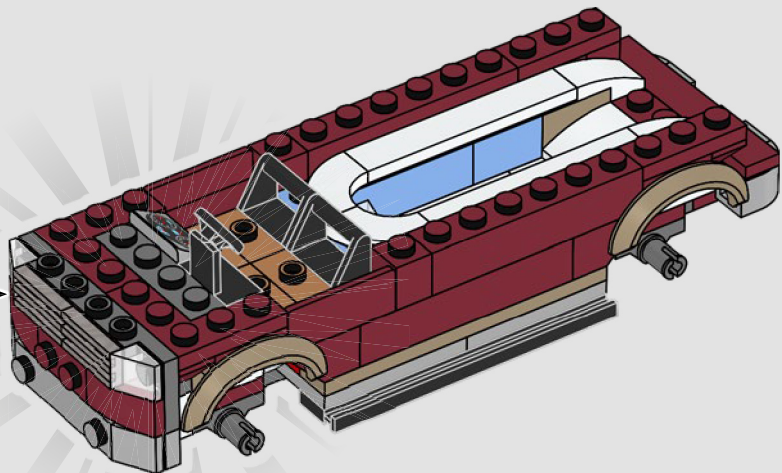


1x

42



43



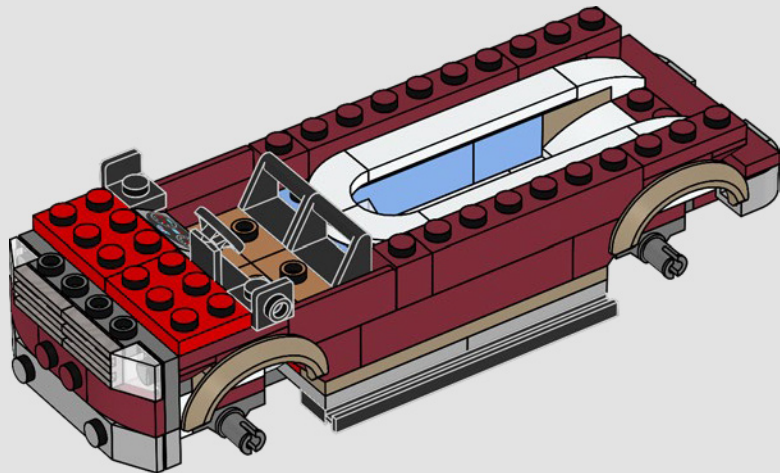


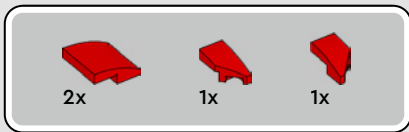
2x



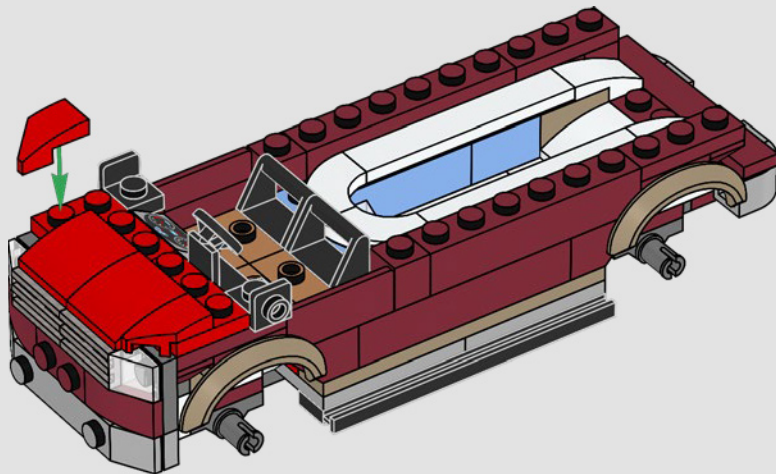
2x

44





45



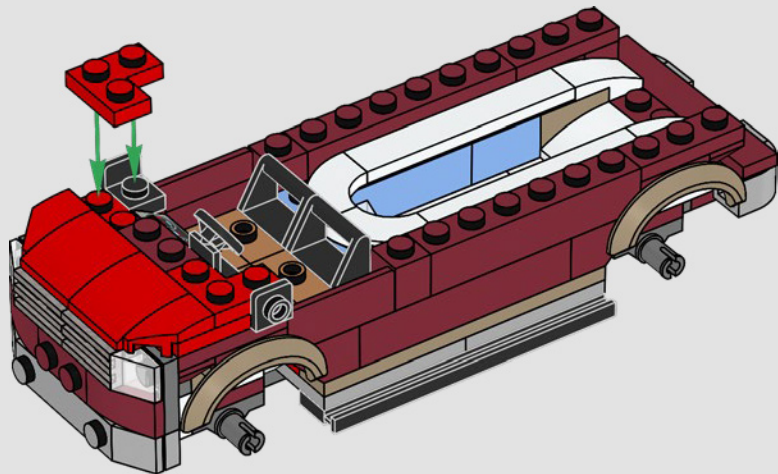


2x



1x

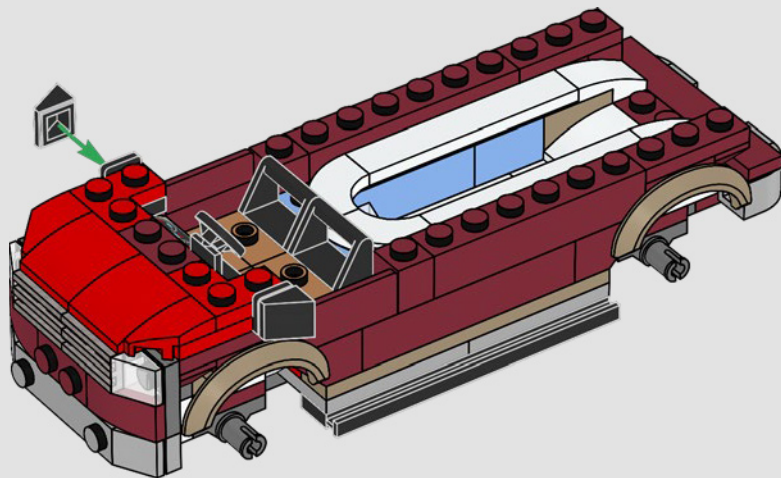
46





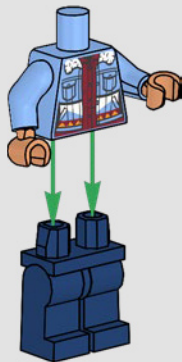
2x

47





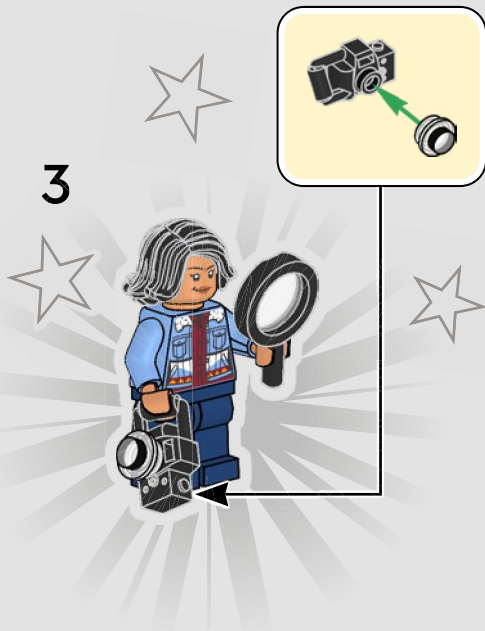
1

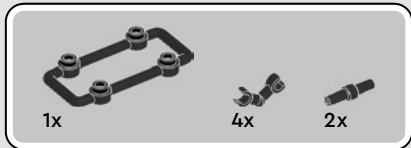


2



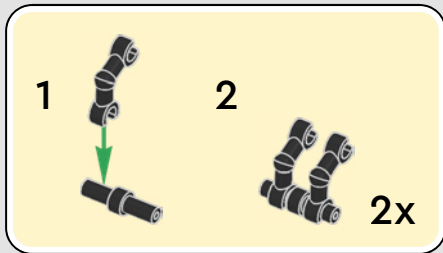
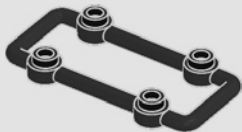
3



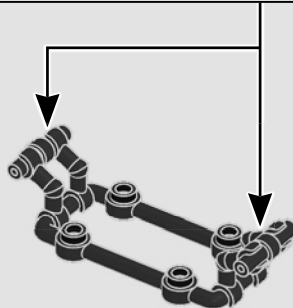


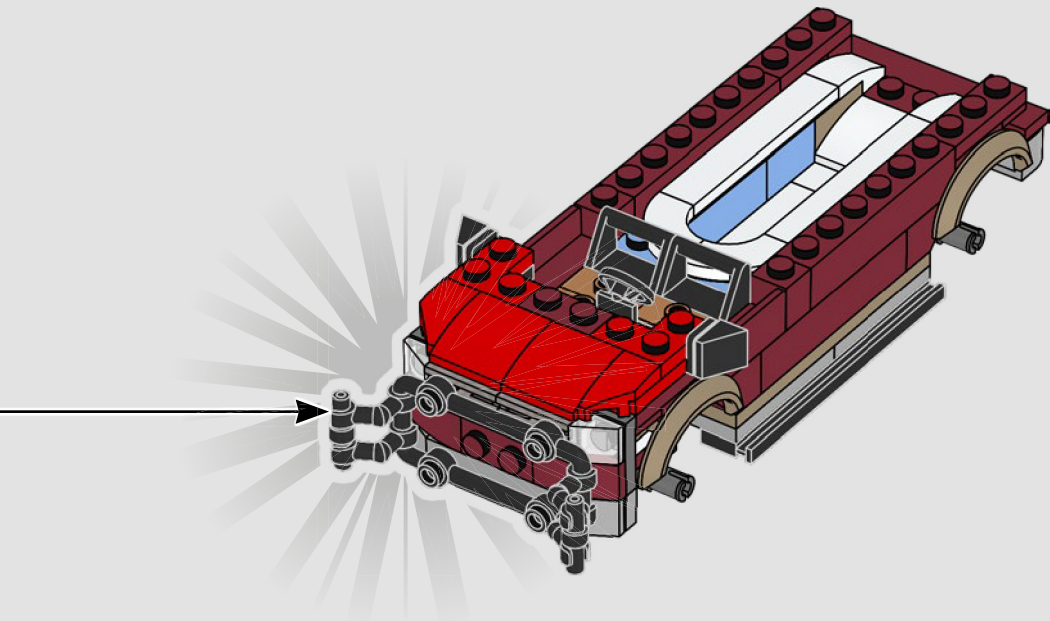
48

1

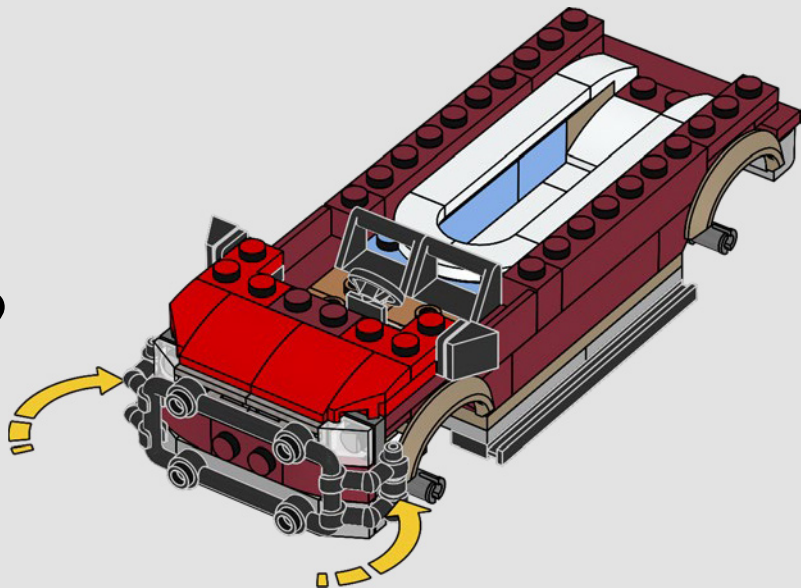


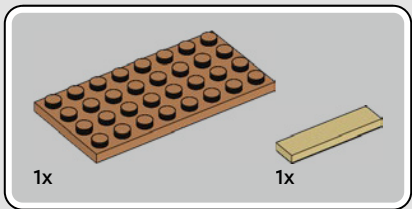
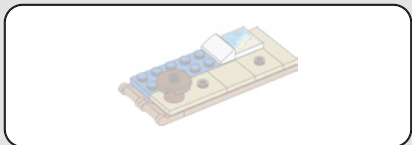
2



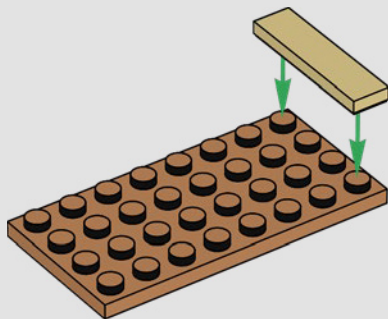


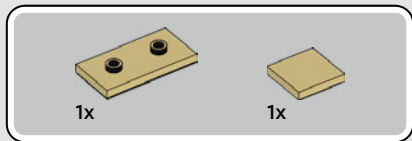
49



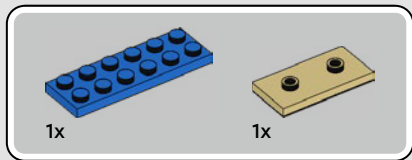
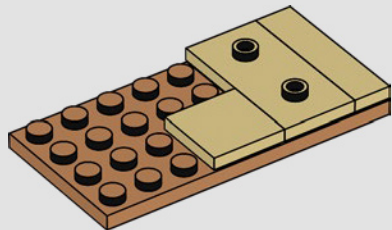


50

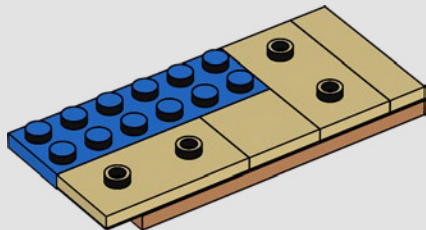




51



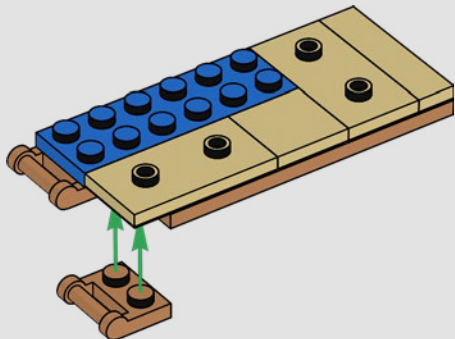
52





2x

53

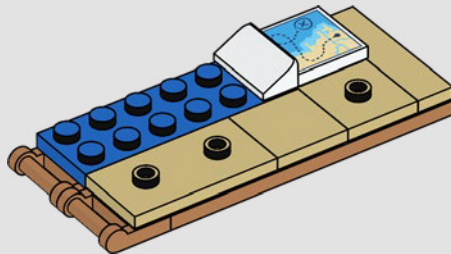


1x



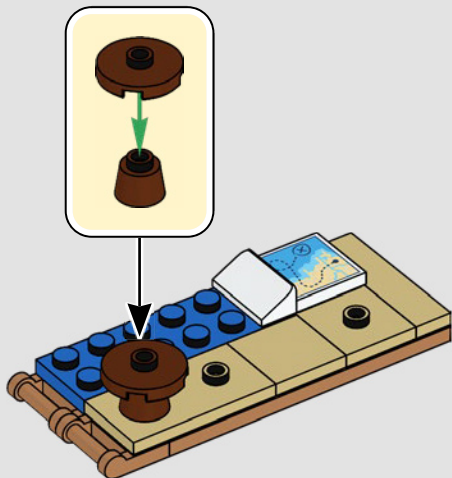
1x

54

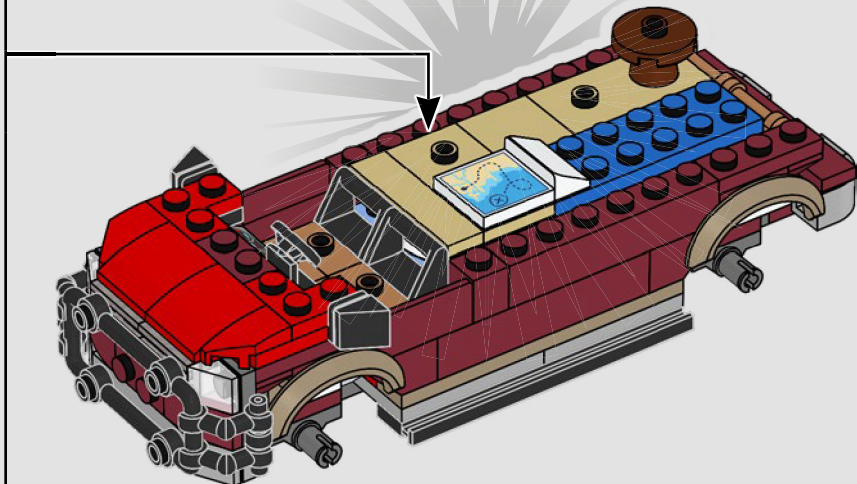


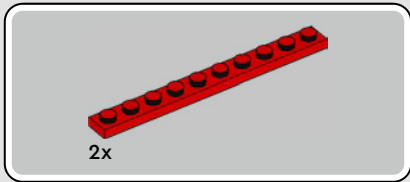


55

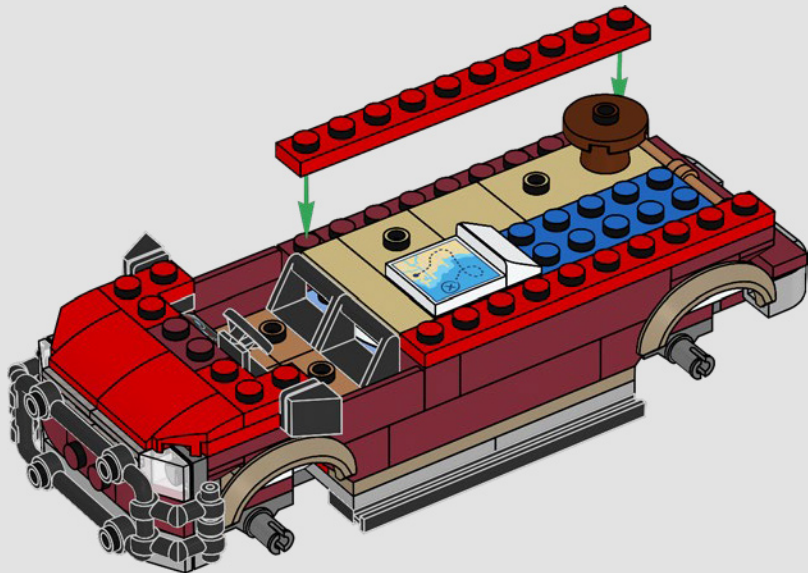


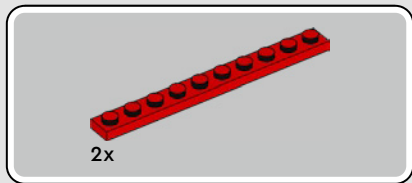
56



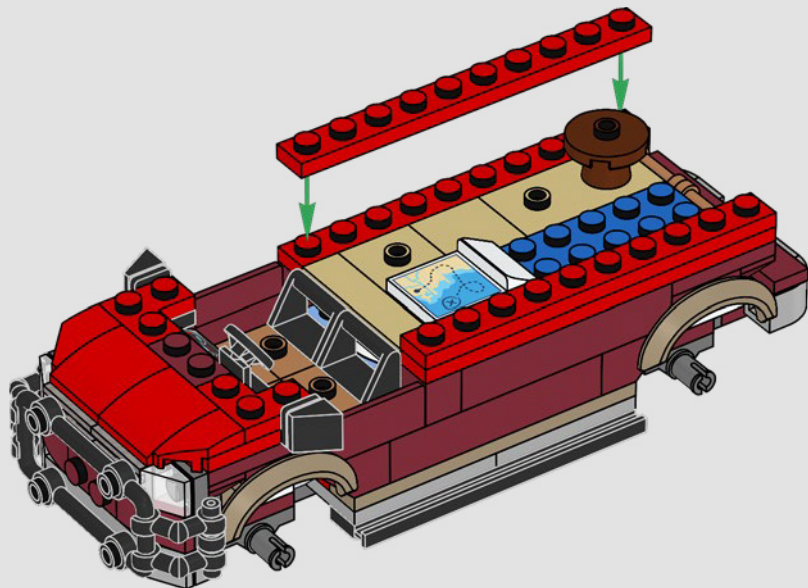


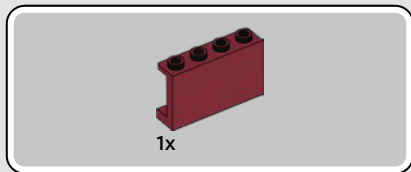
57



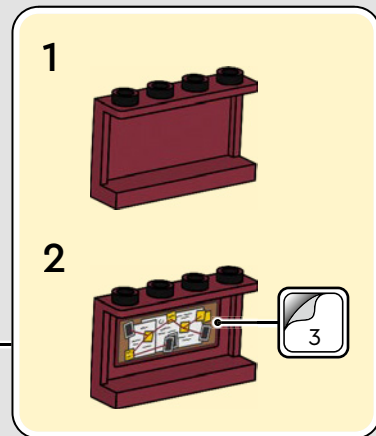
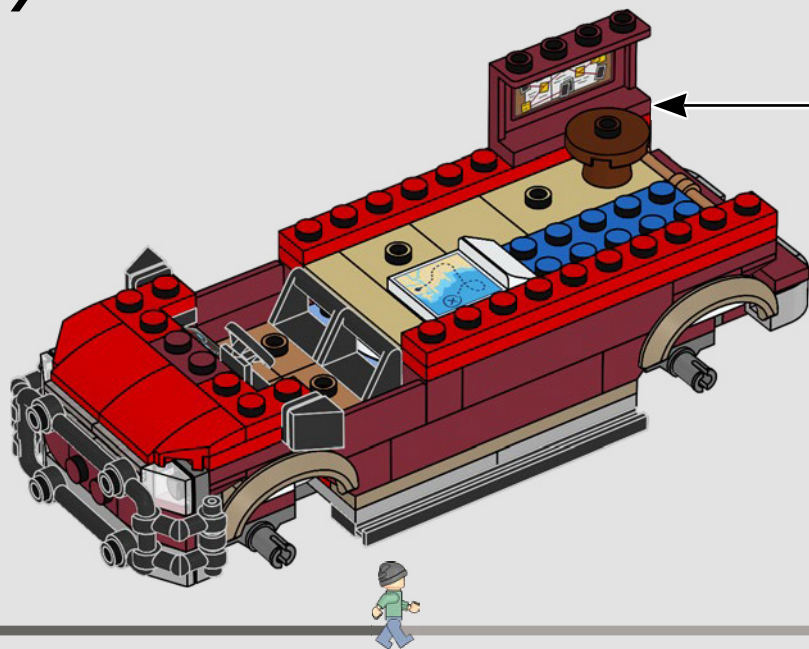


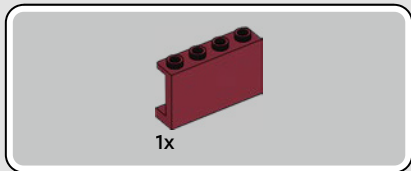
58



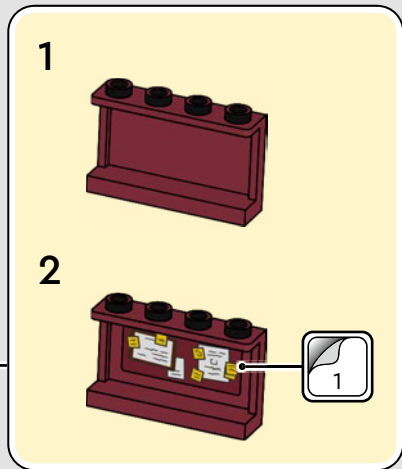
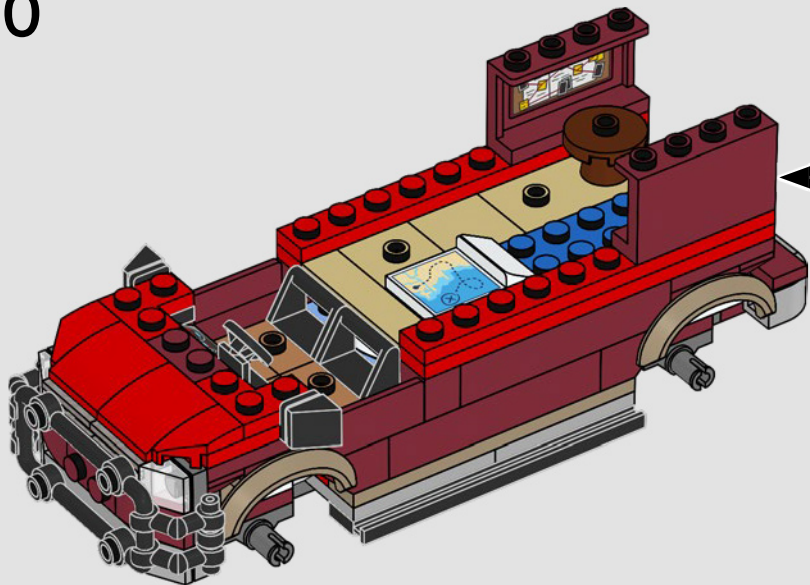


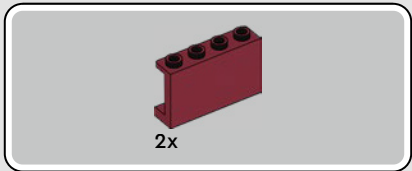
59



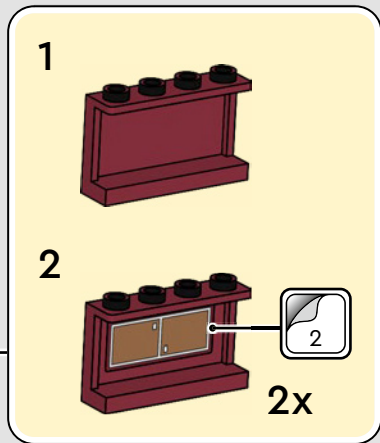
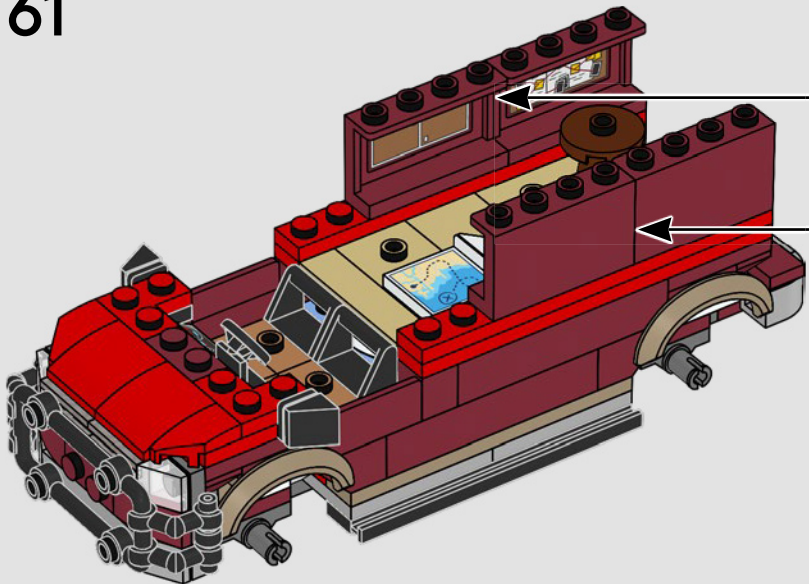


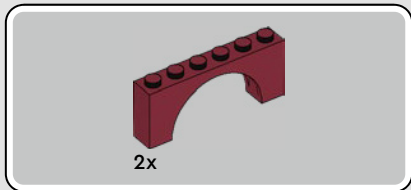
60



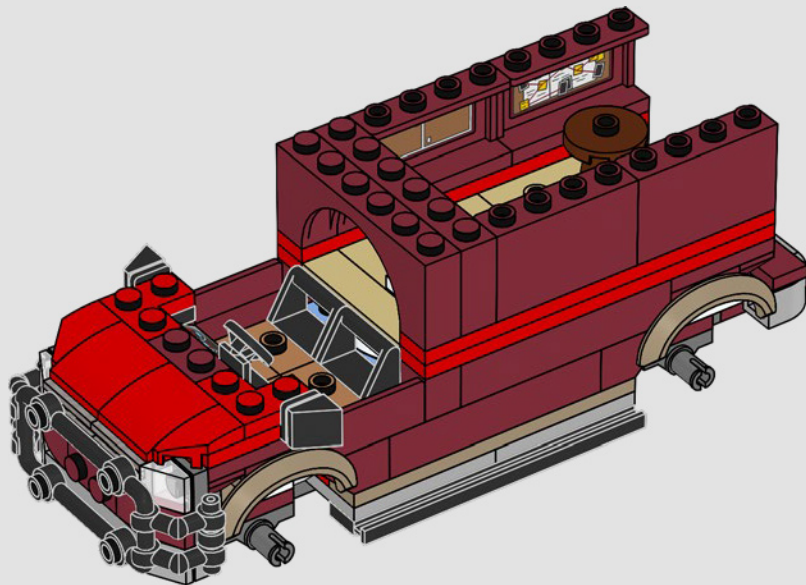


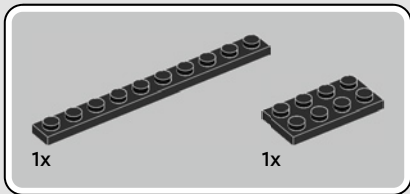
61



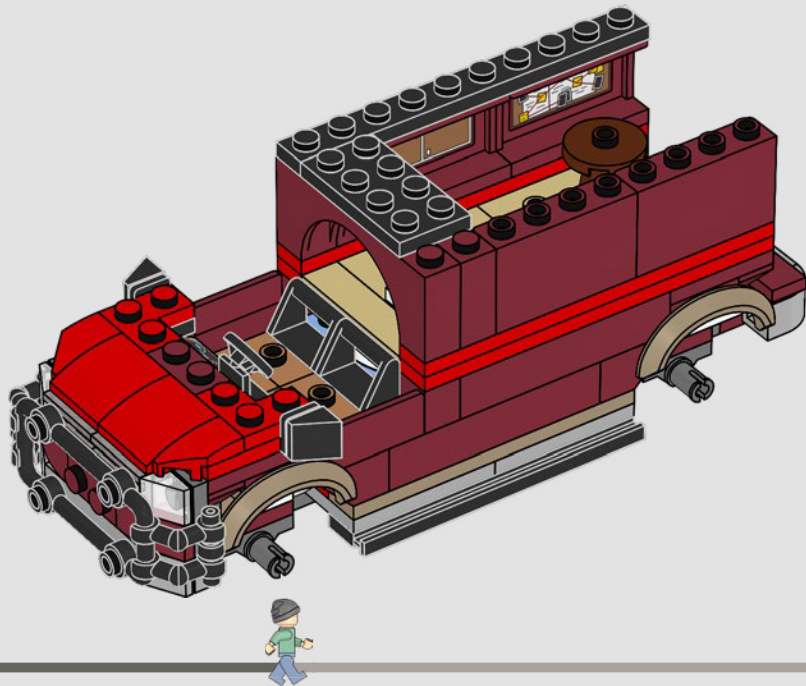


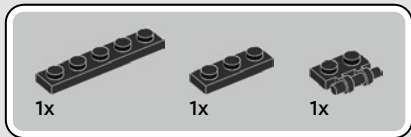
62



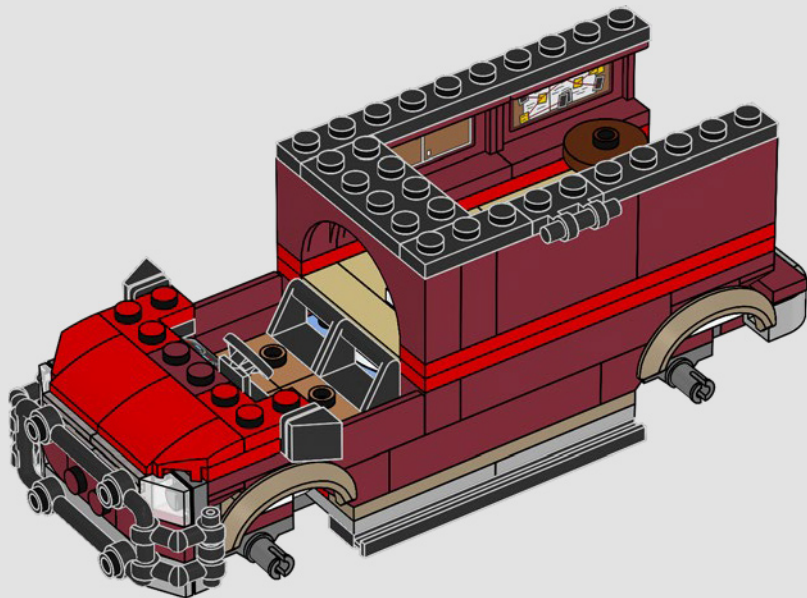


63





64



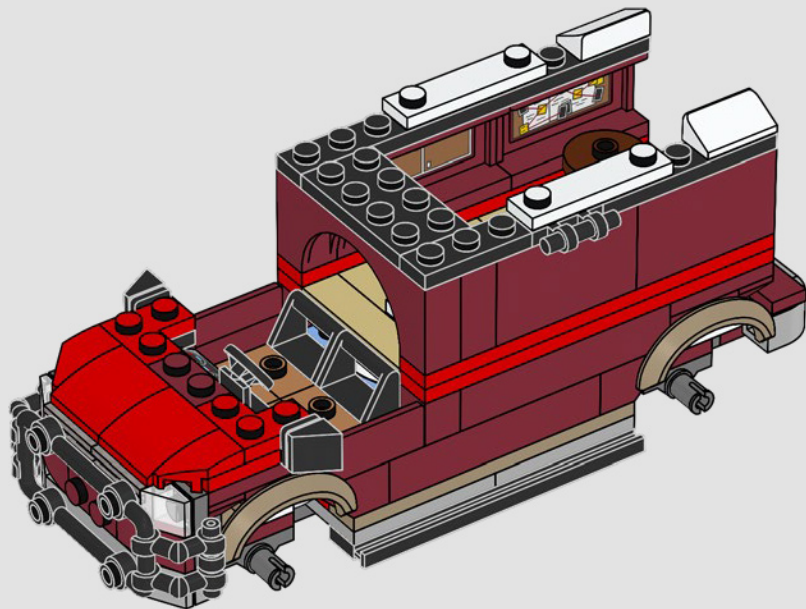


2x



2x

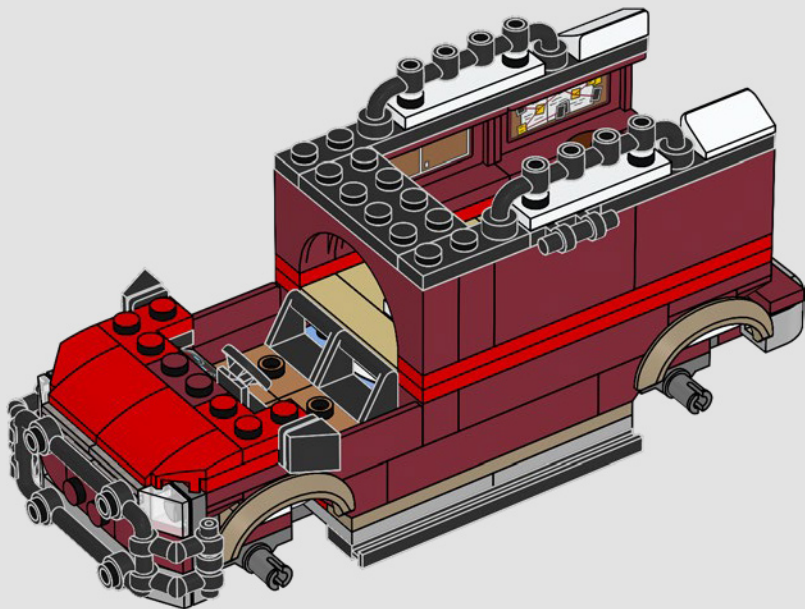
65





2x

66



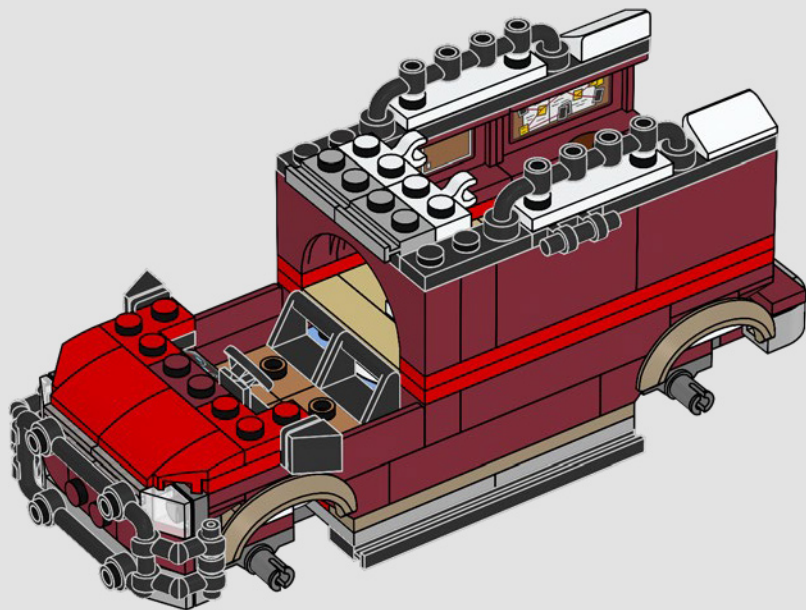


2x



2x

67



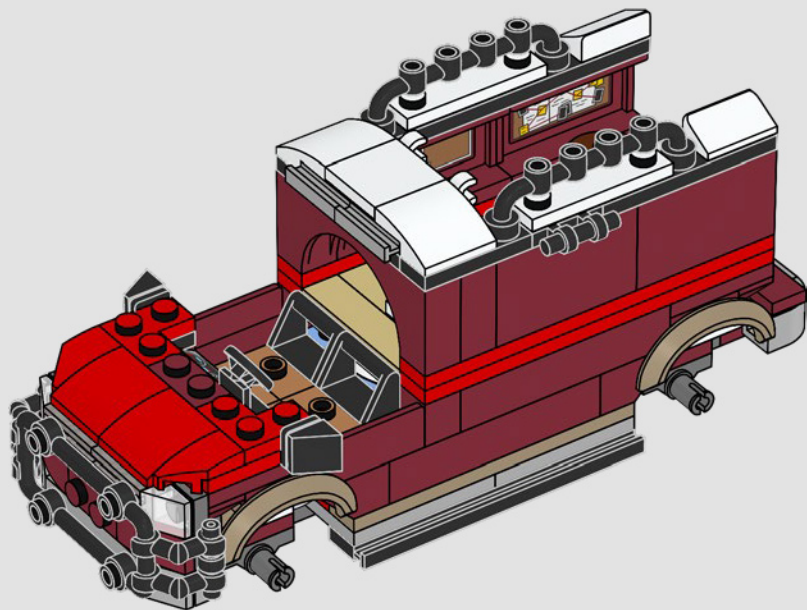


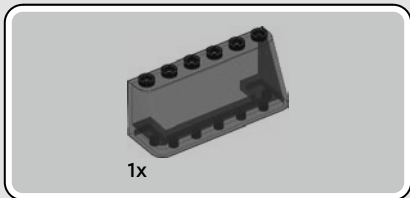
1x



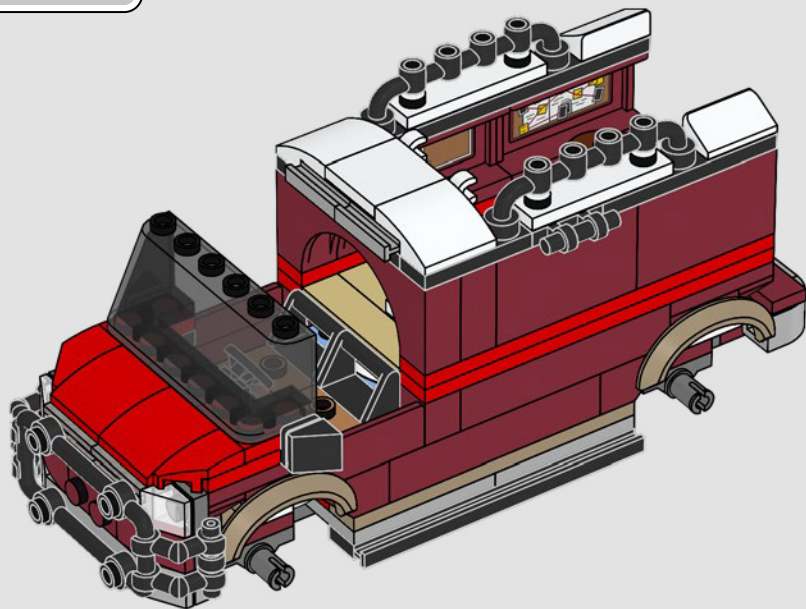
2x

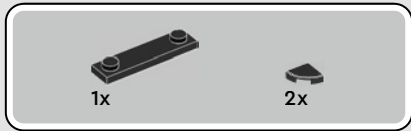
68



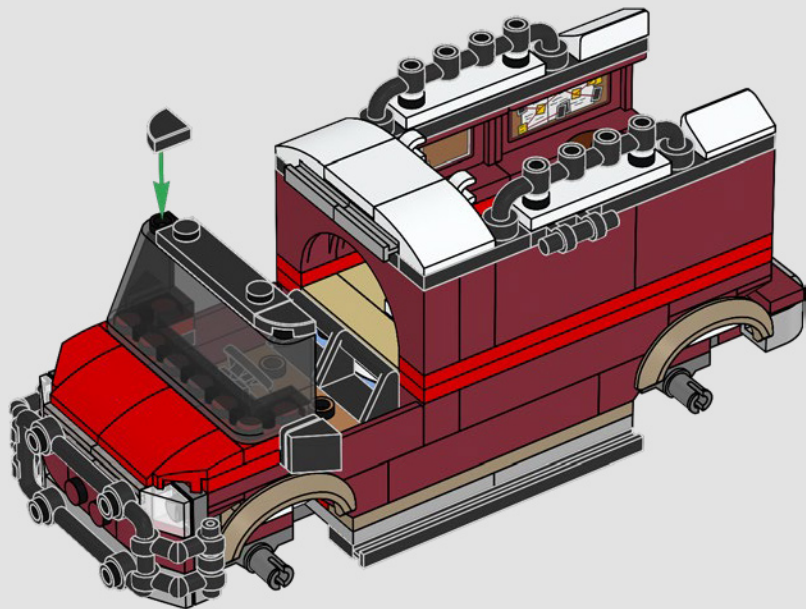


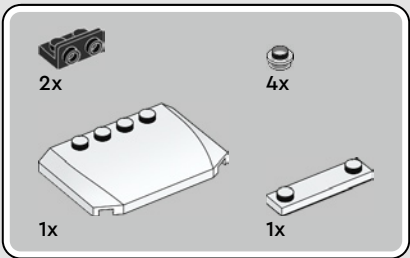
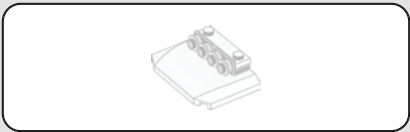
69



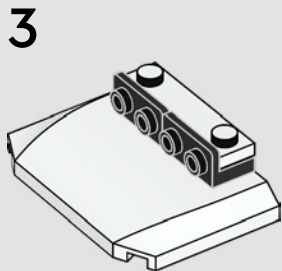
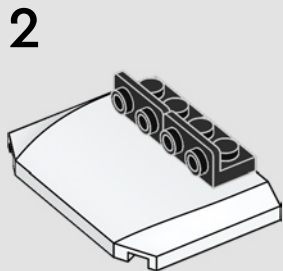
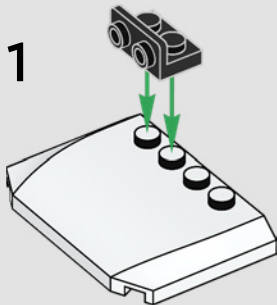


70

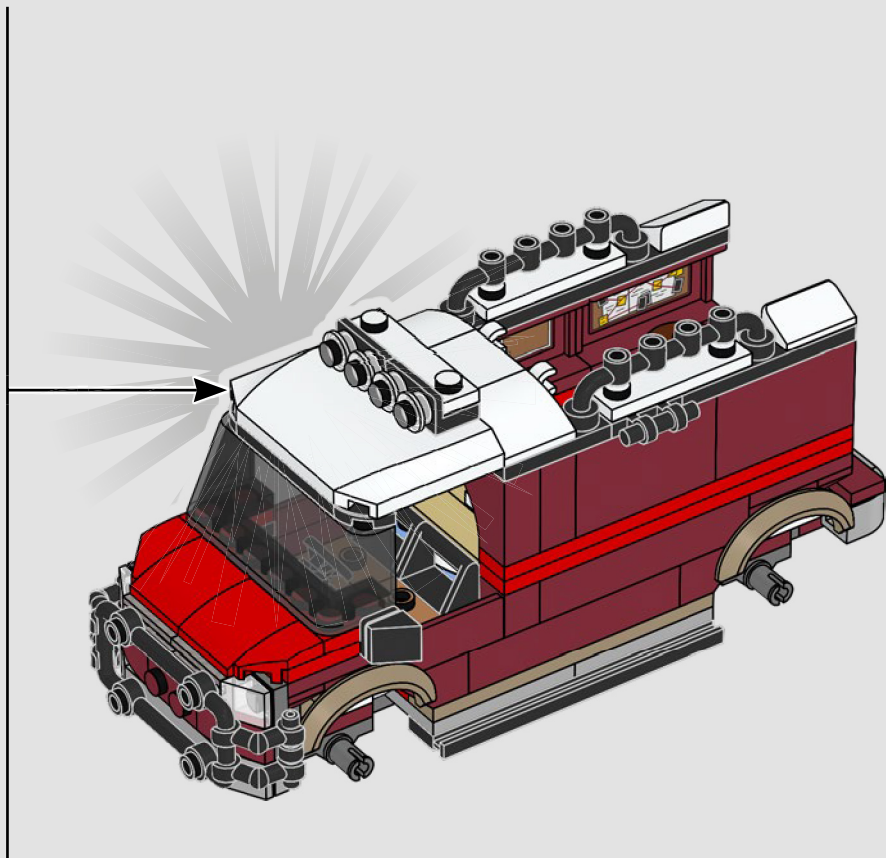
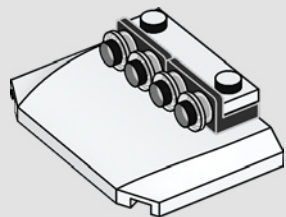


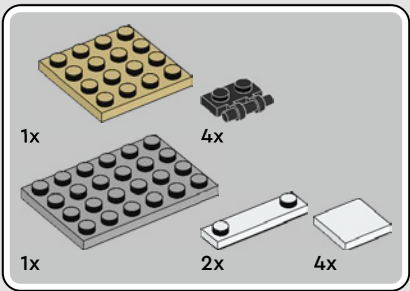
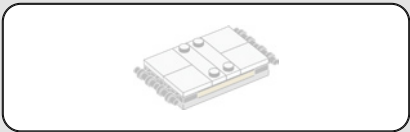


71

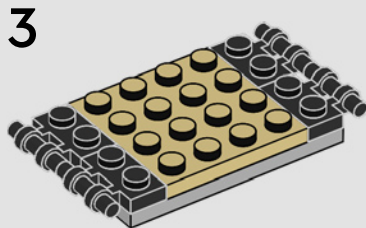
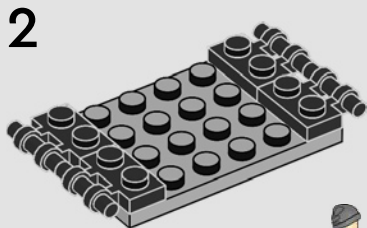
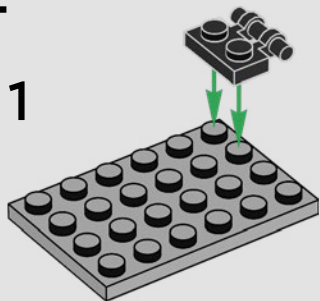


4

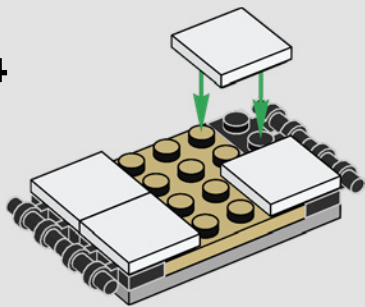




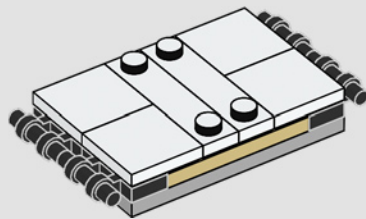
72

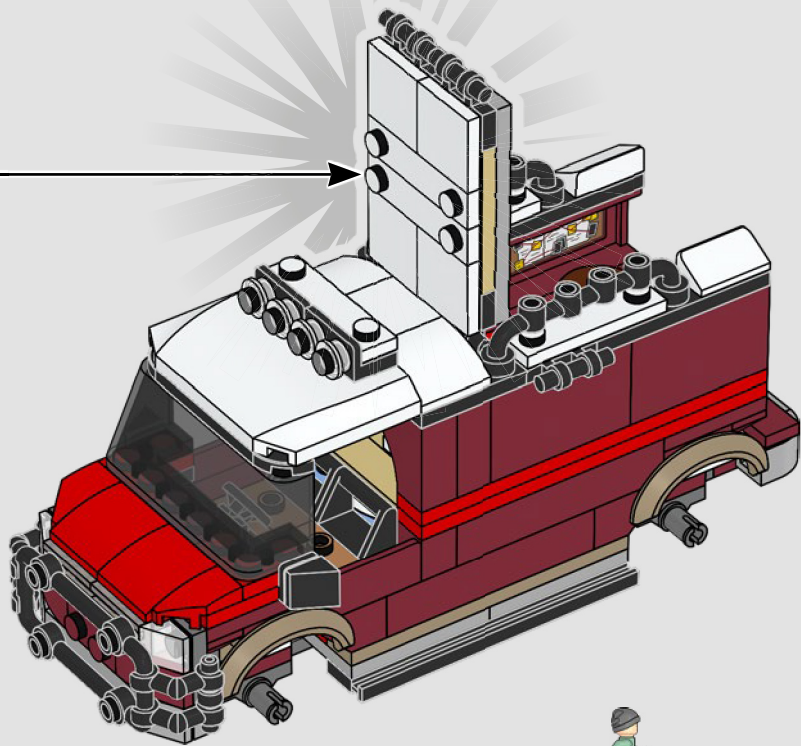


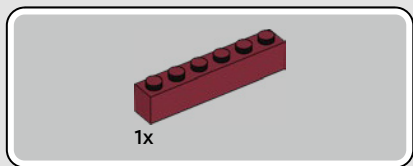
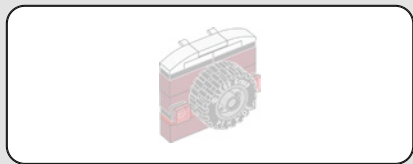
4



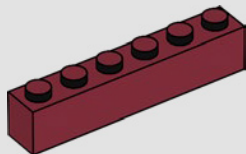
5



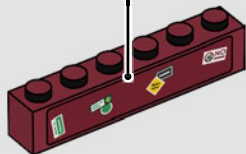


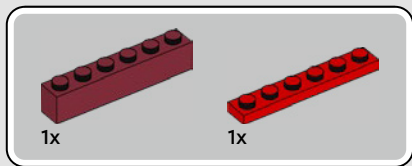


73

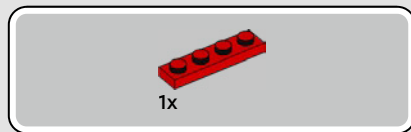
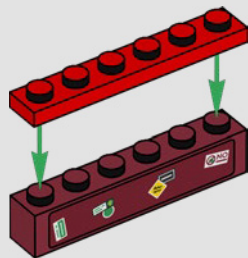


74

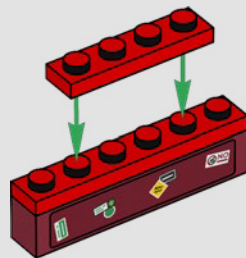




75



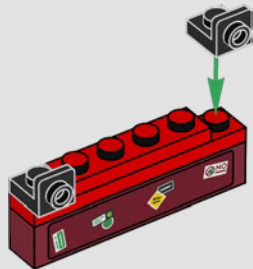
76





2x

77

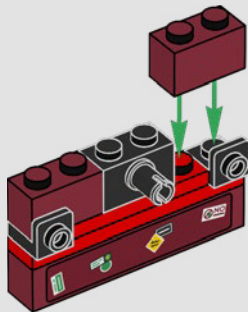


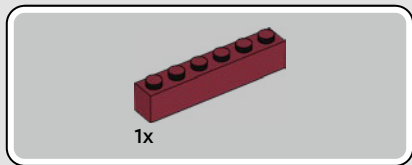
2x



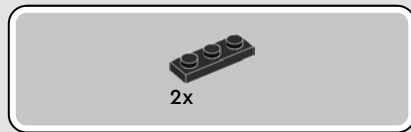
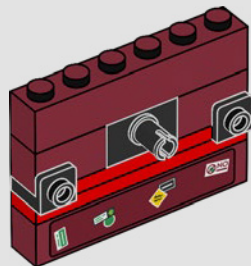
1x

78

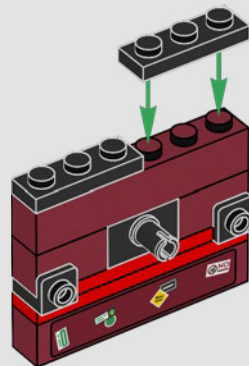




79



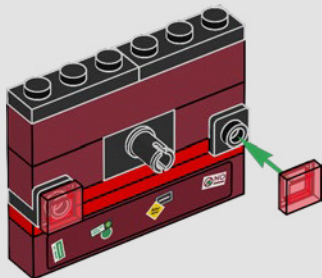
80





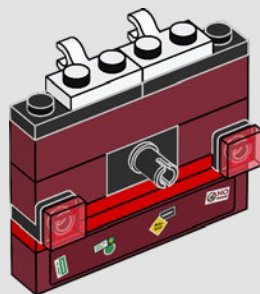
2x

81



2x

82



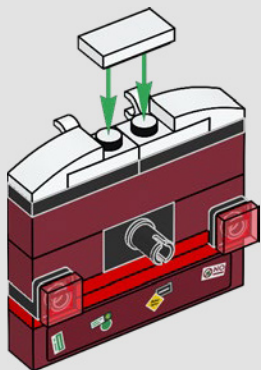


1x

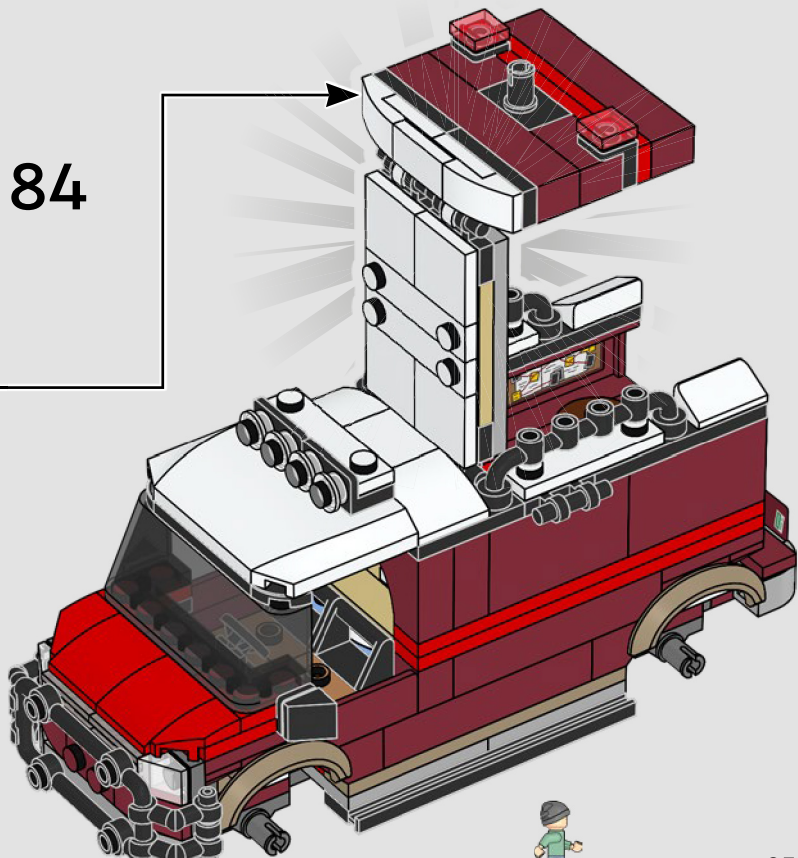


2x

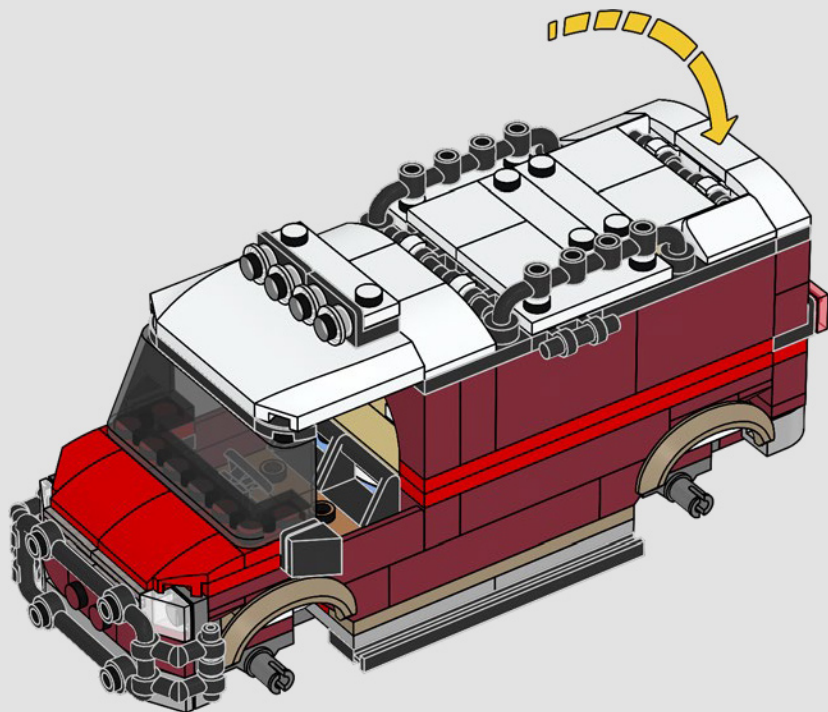
83

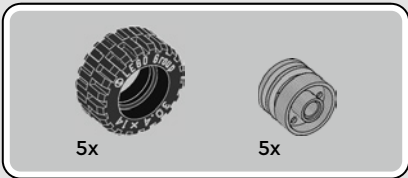


84

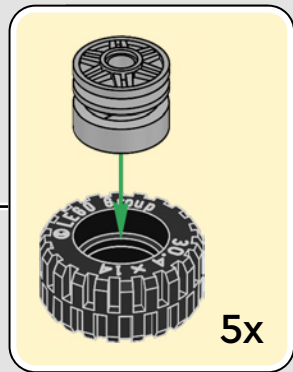
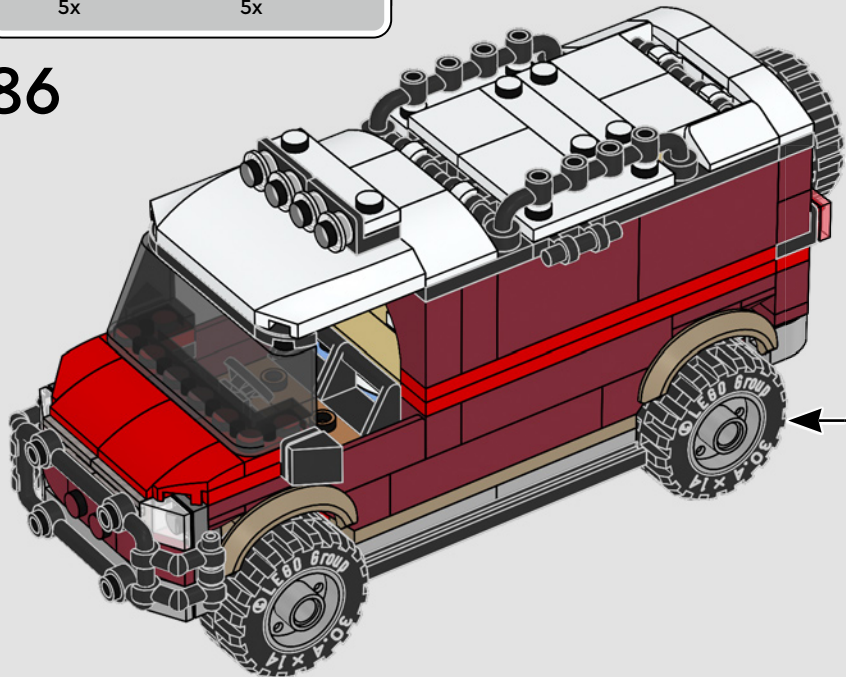


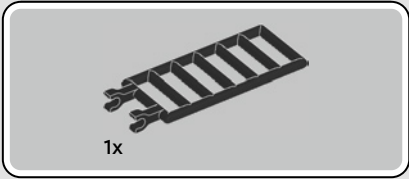
85



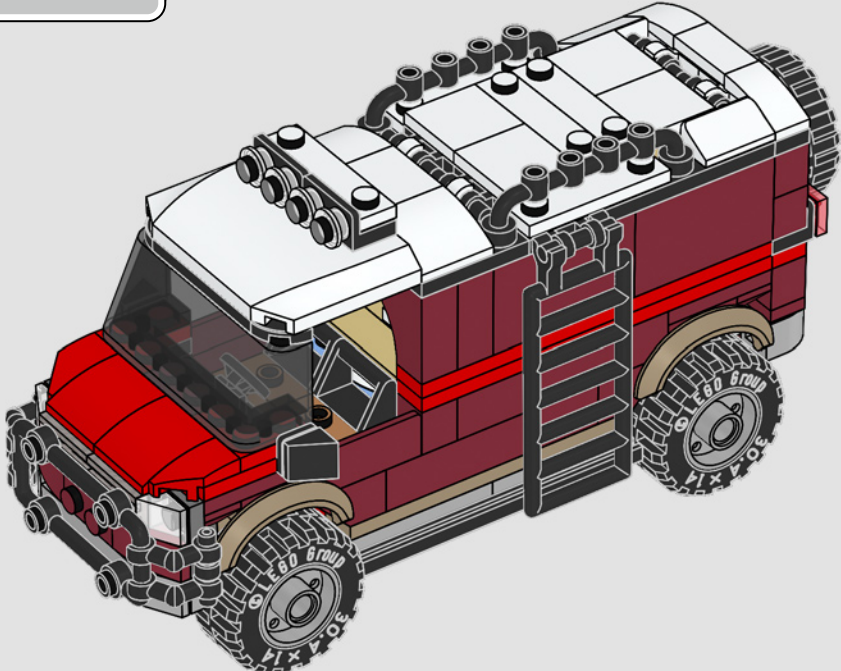


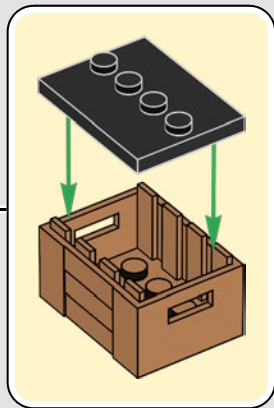
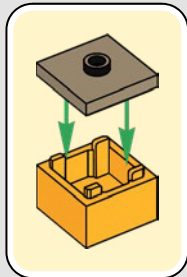
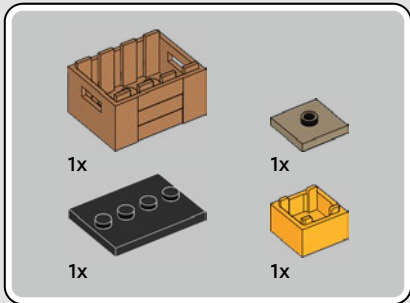
86



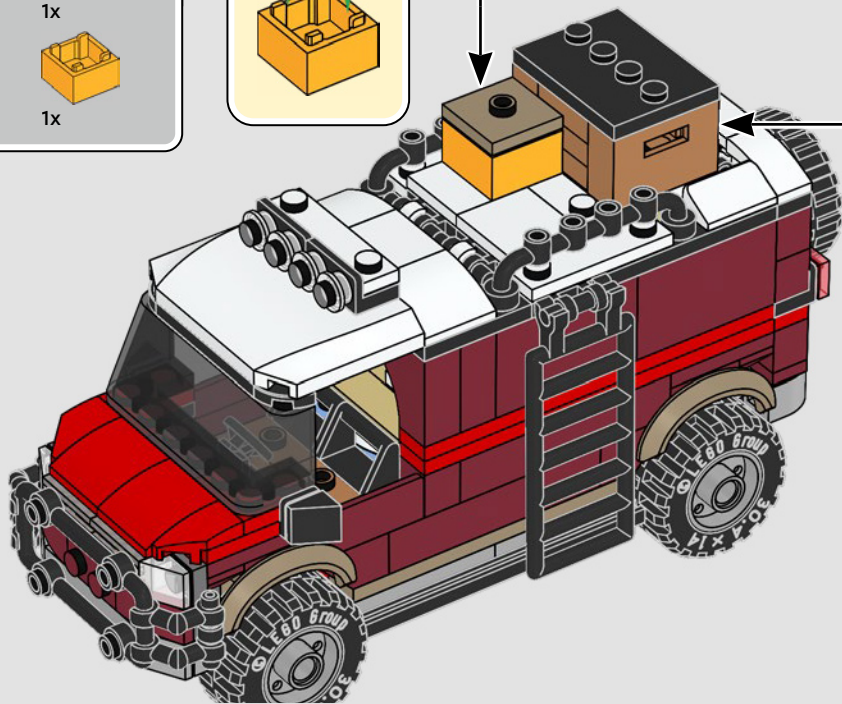


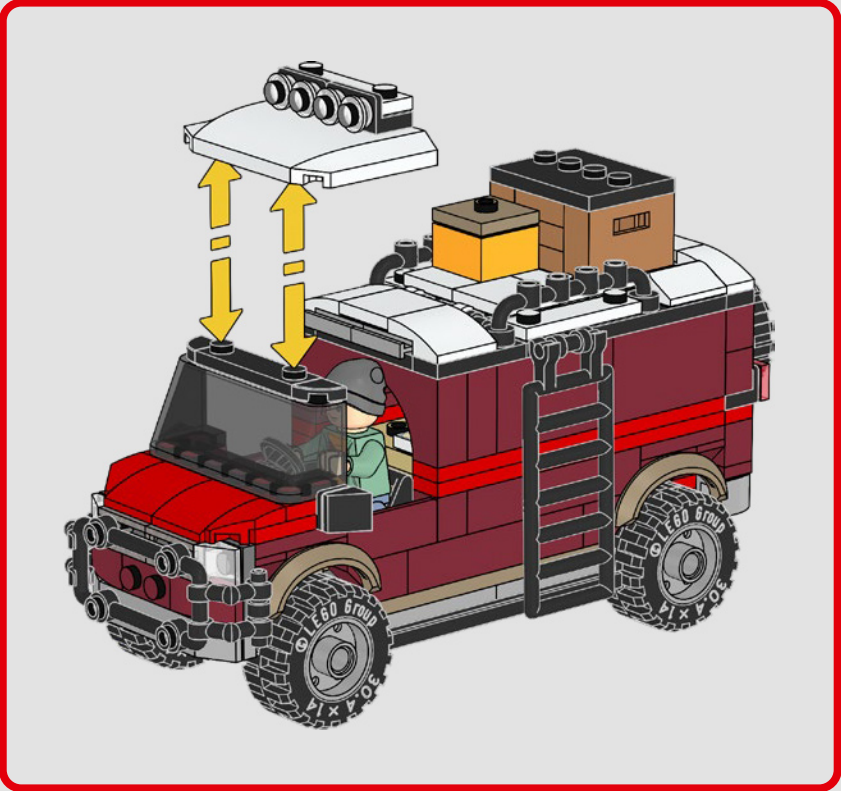
87





88







76964



76962



76960



76966



LEGO and the LEGO logo and are trademarks of the LEGO Group. ©2024 The LEGO Group.

© Universal City Studios LLC and Amblin Entertainment, Inc. Series © DreamWorks Animation LLC. All Rights Reserved.

6519664