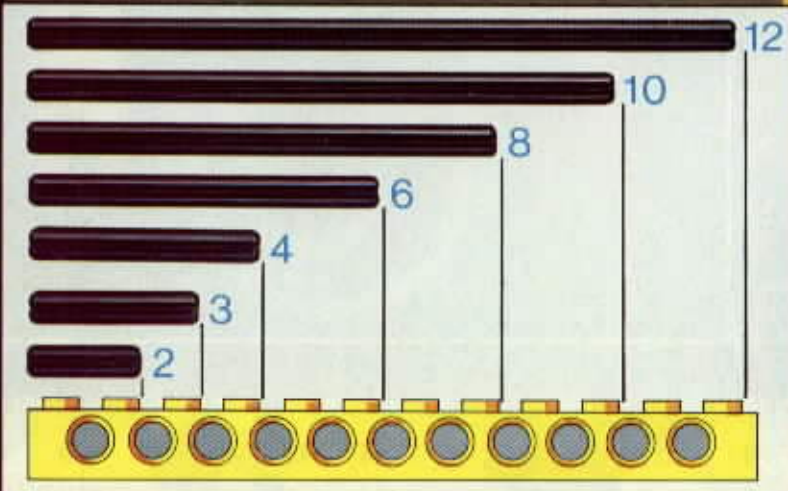
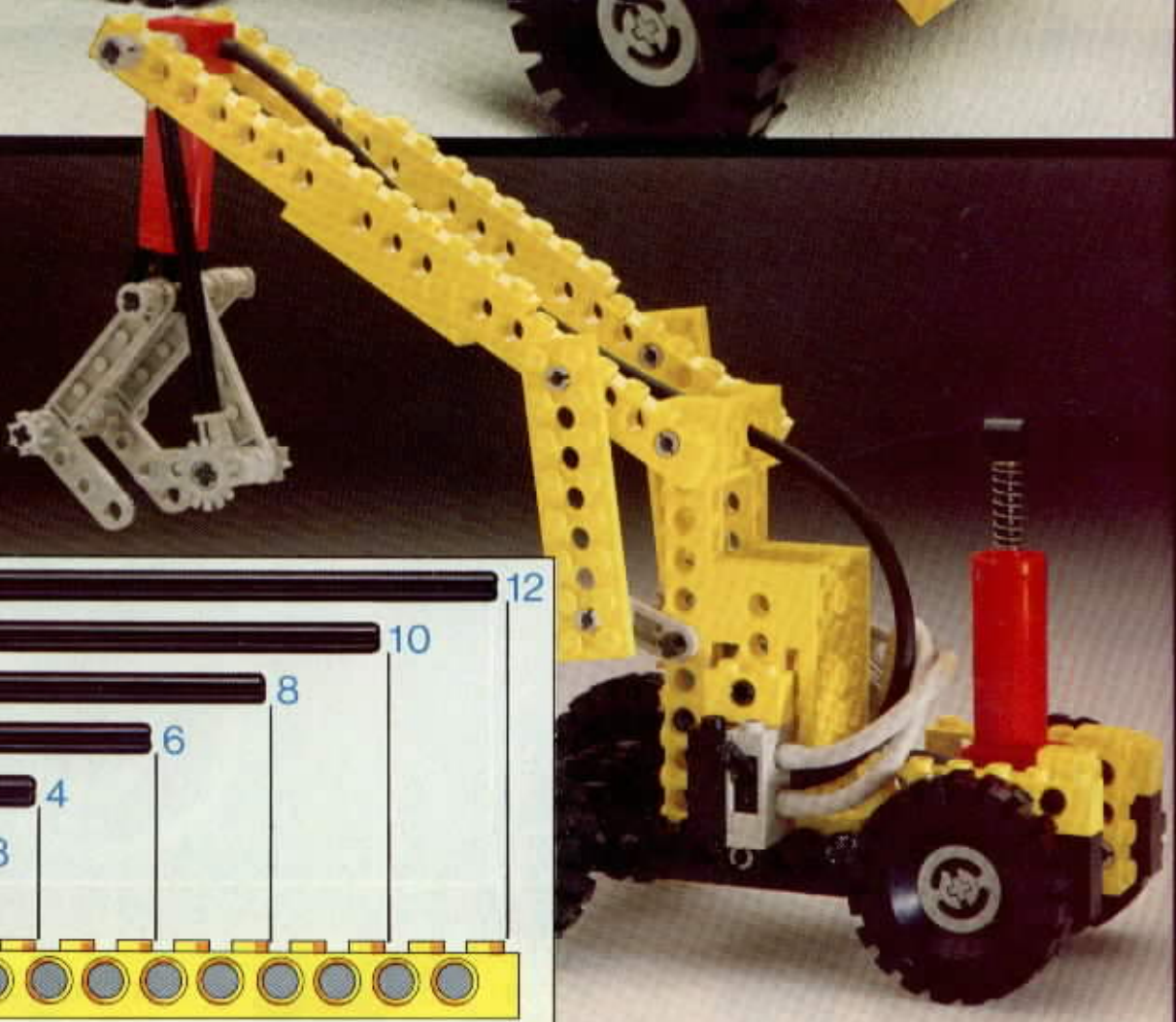


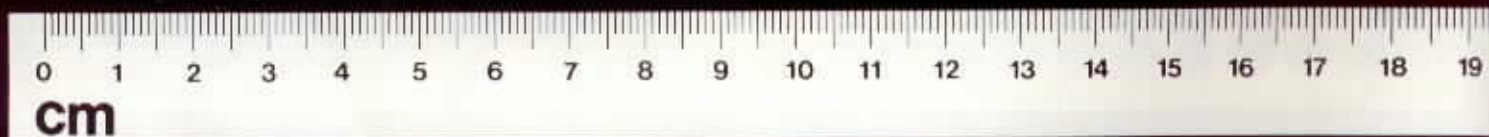
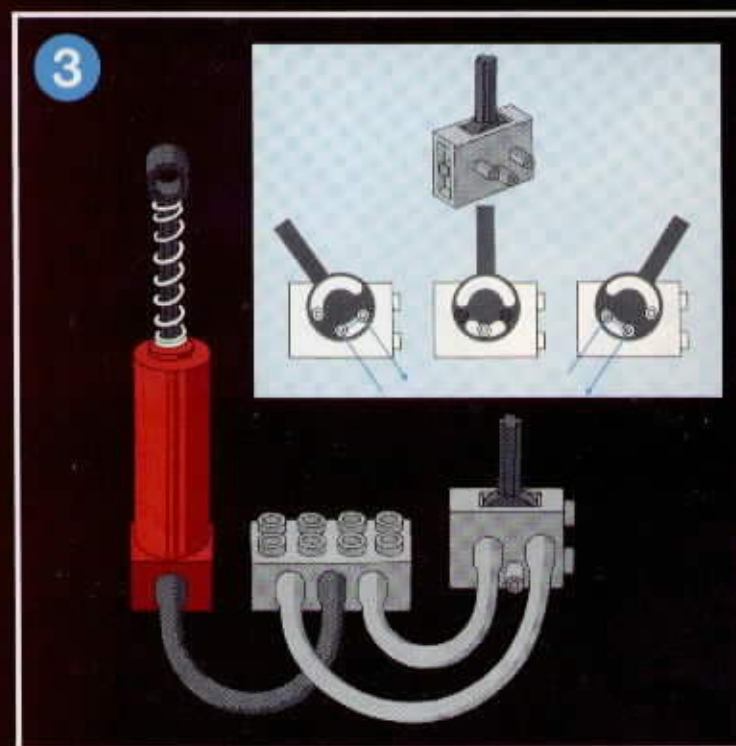
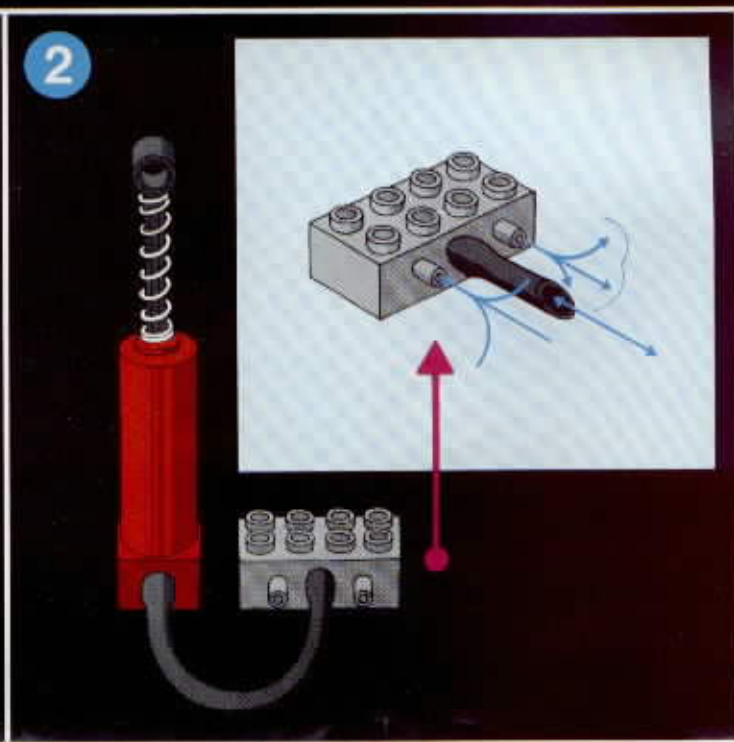
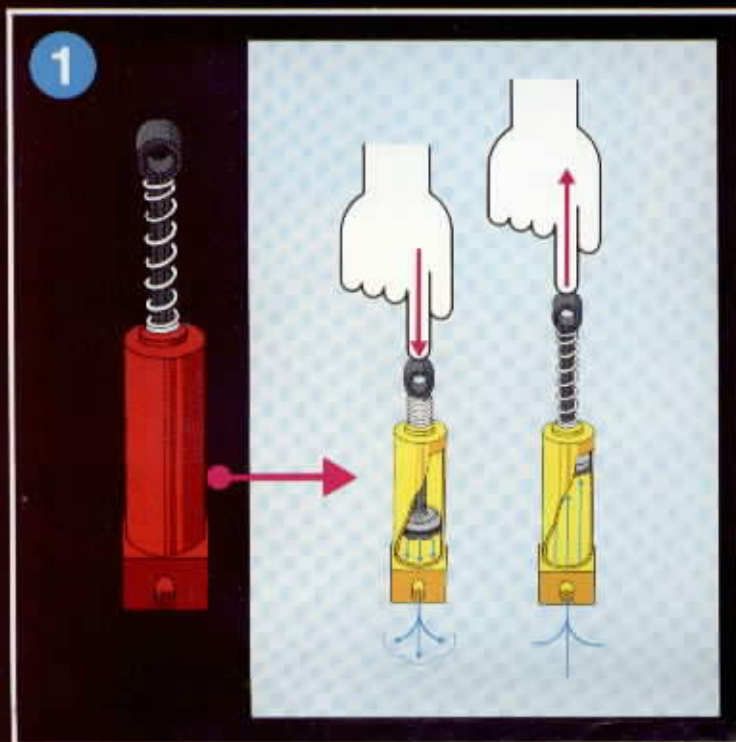
8040

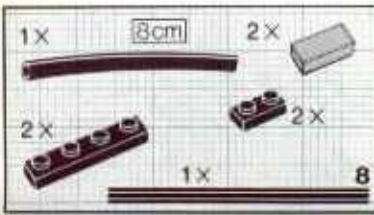
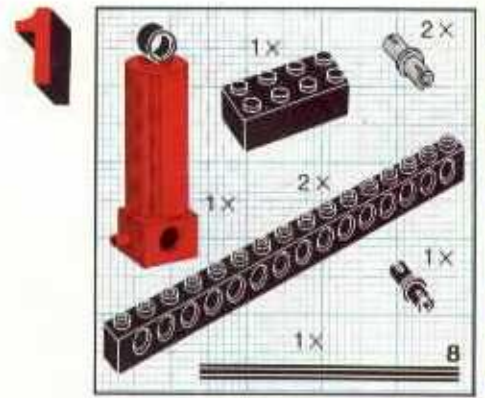


Pneu
matic

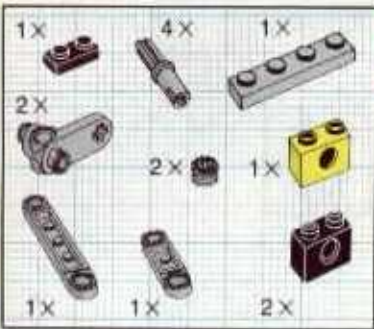


Pneumatic

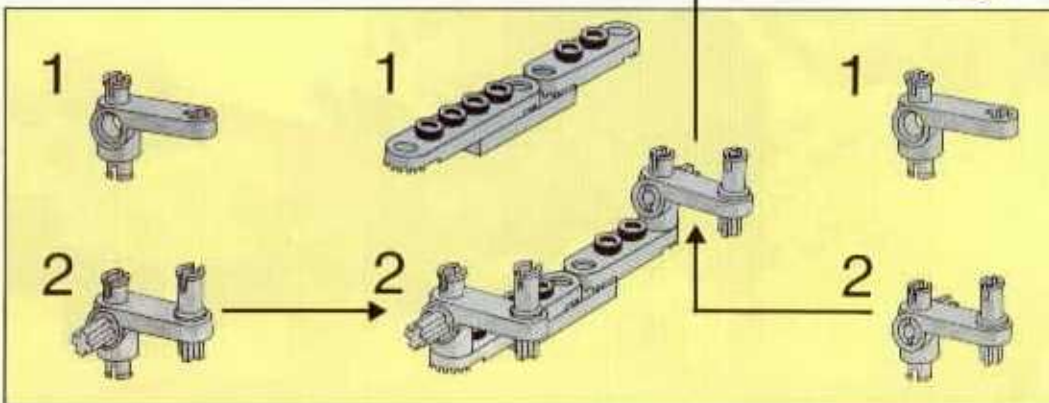
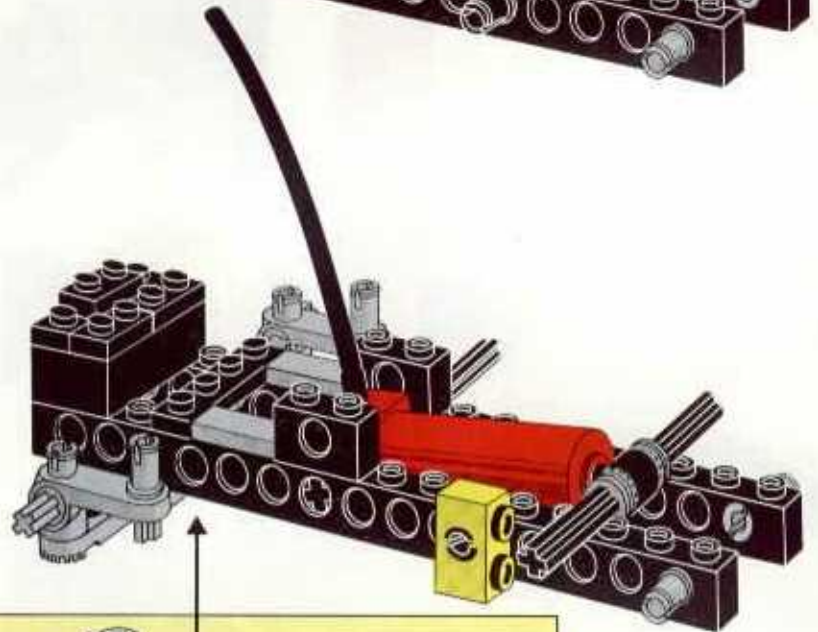


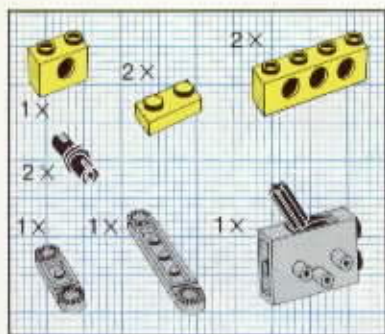


2

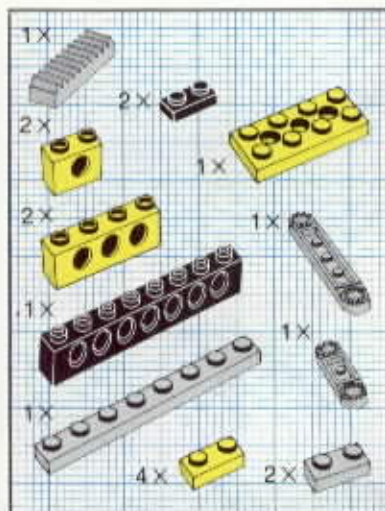
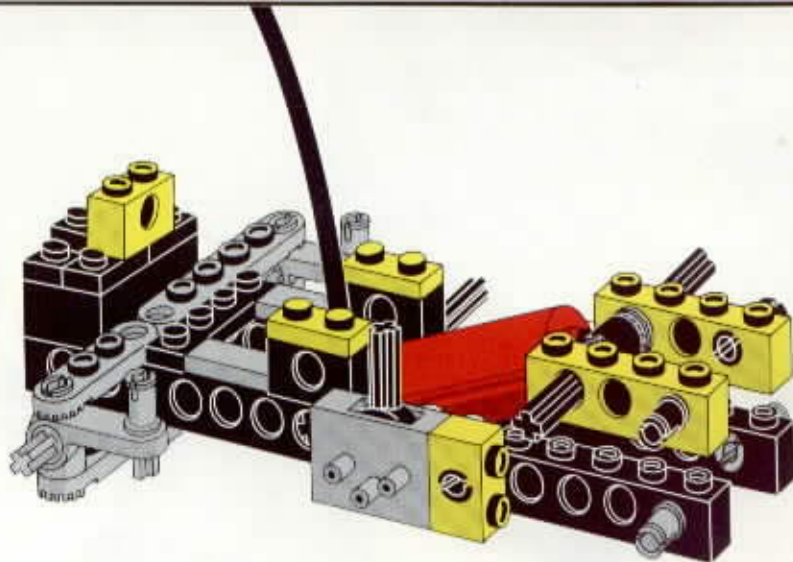


3

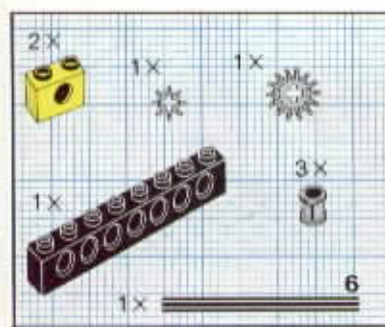
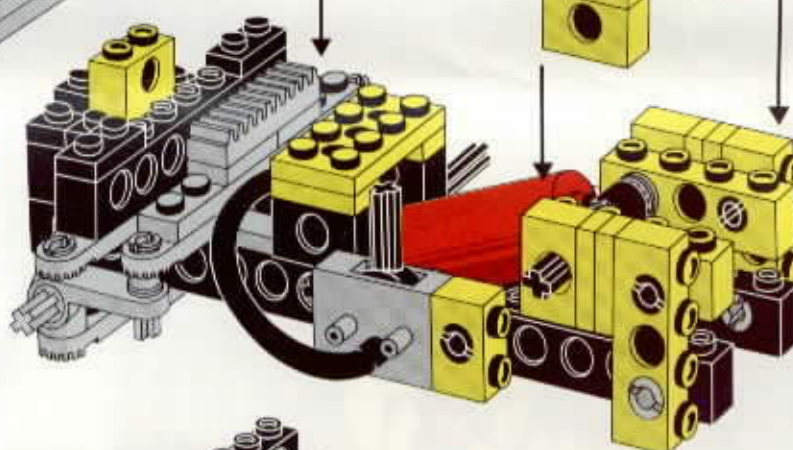
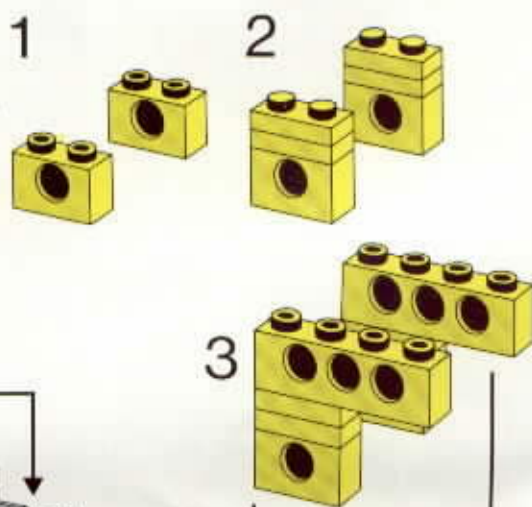
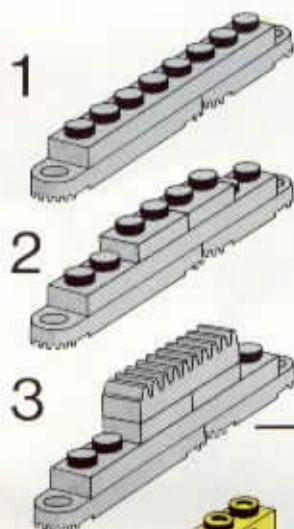




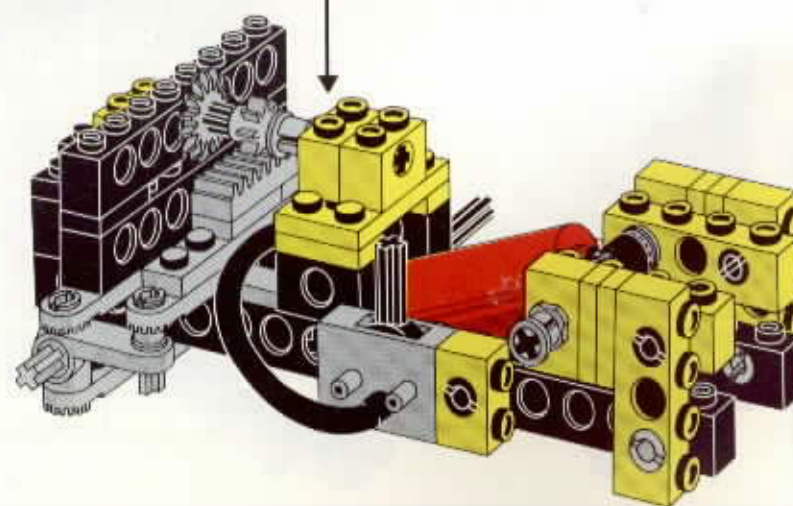
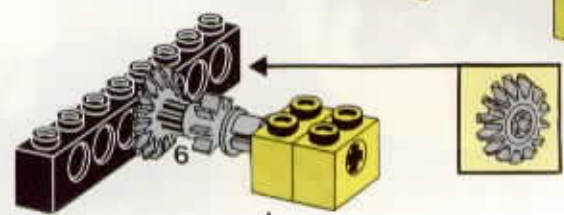
4

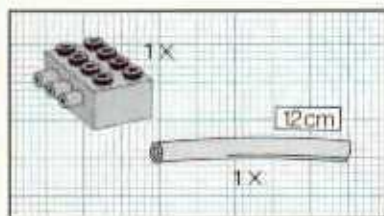


5

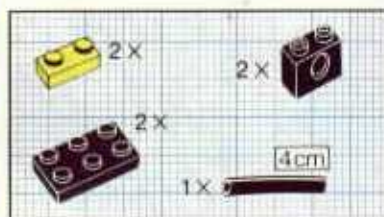
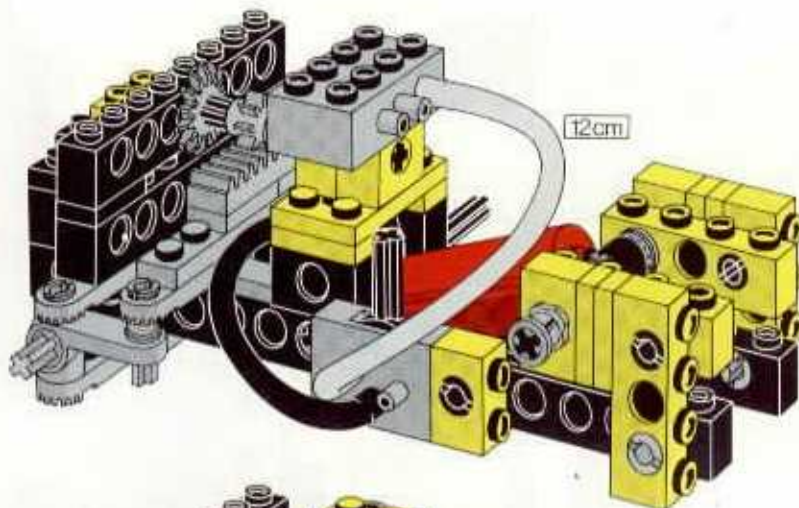


6

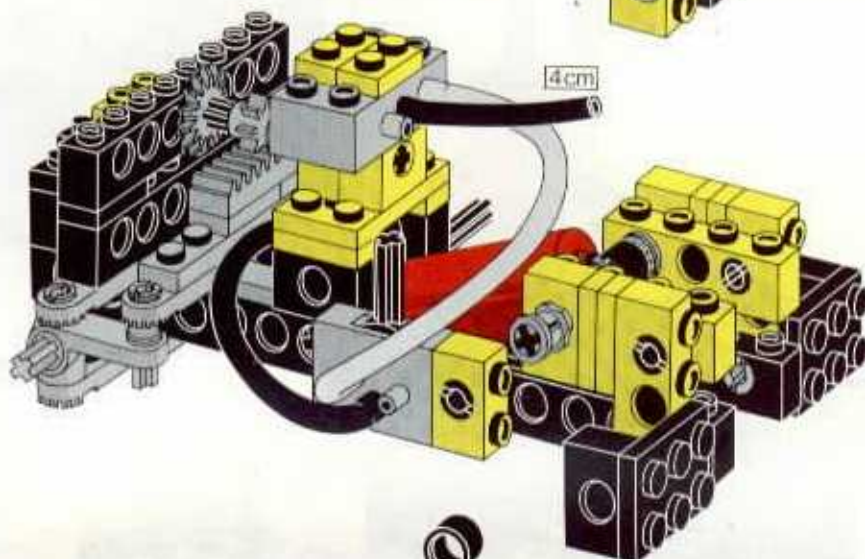




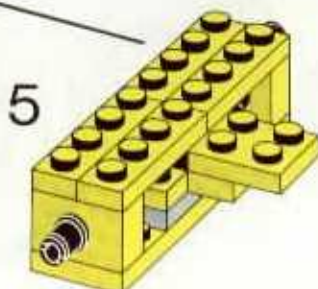
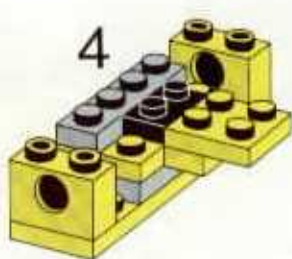
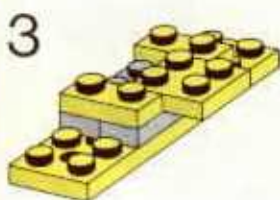
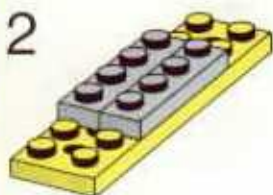
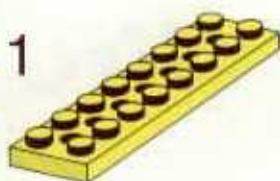
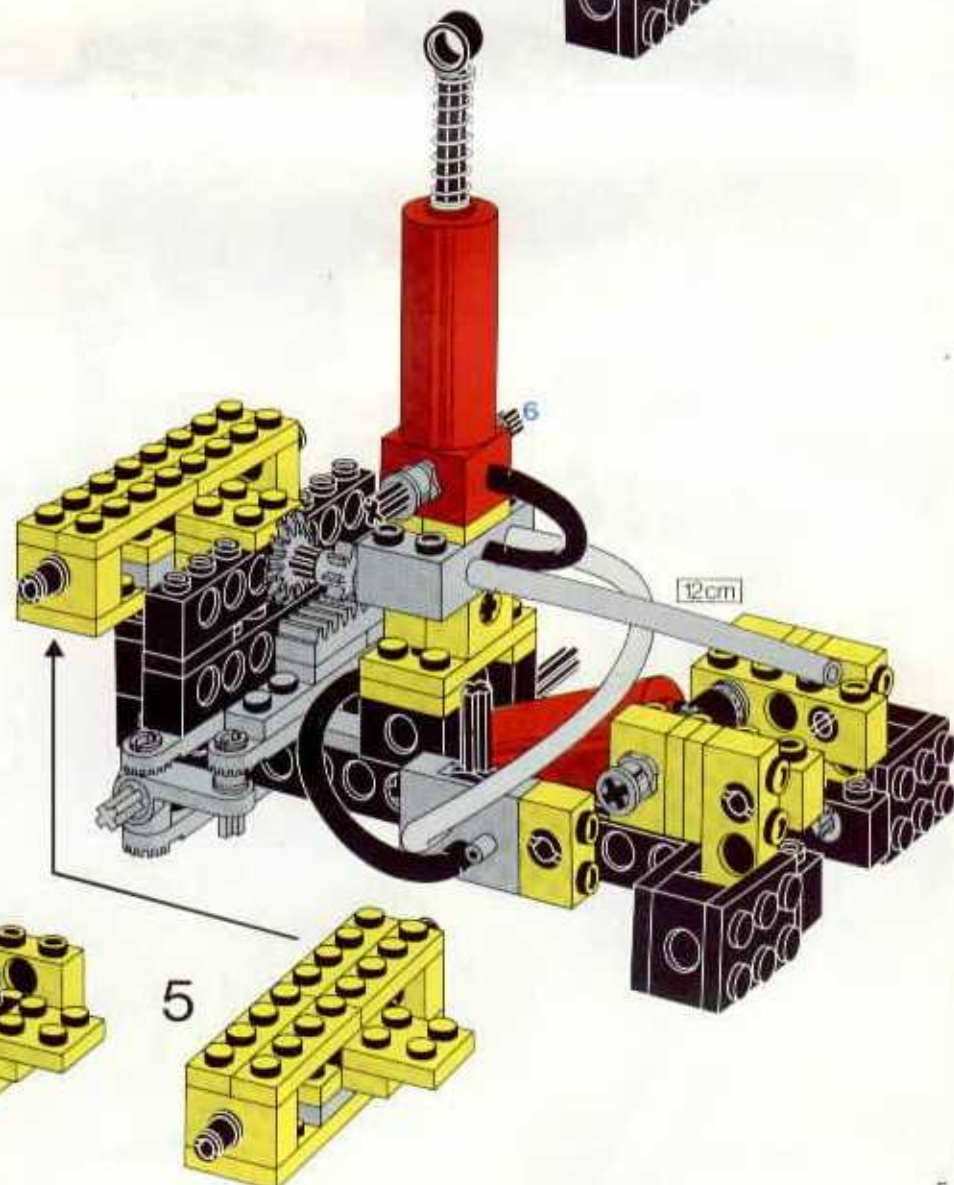
7

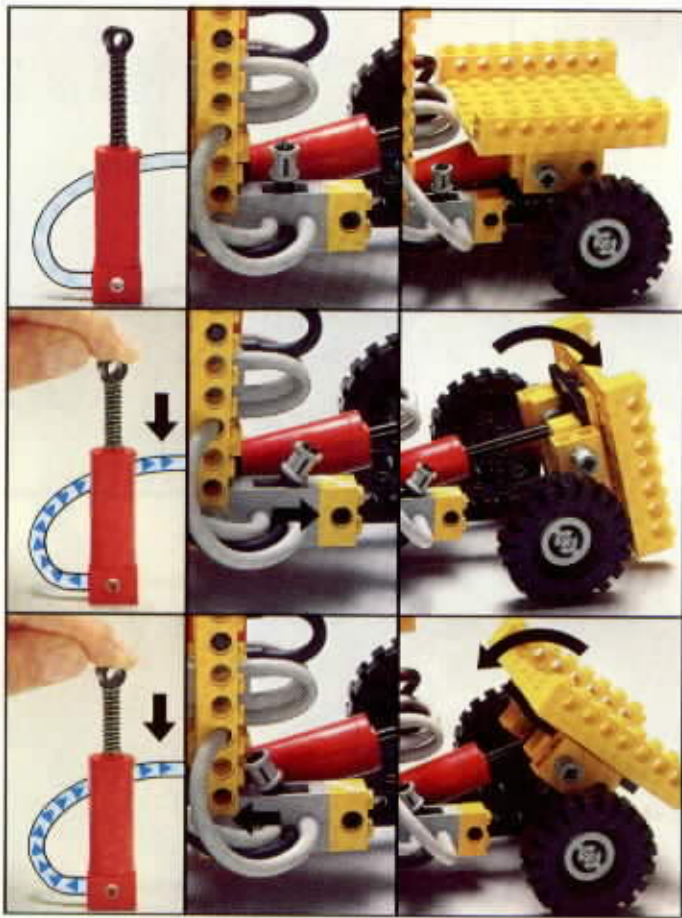


8

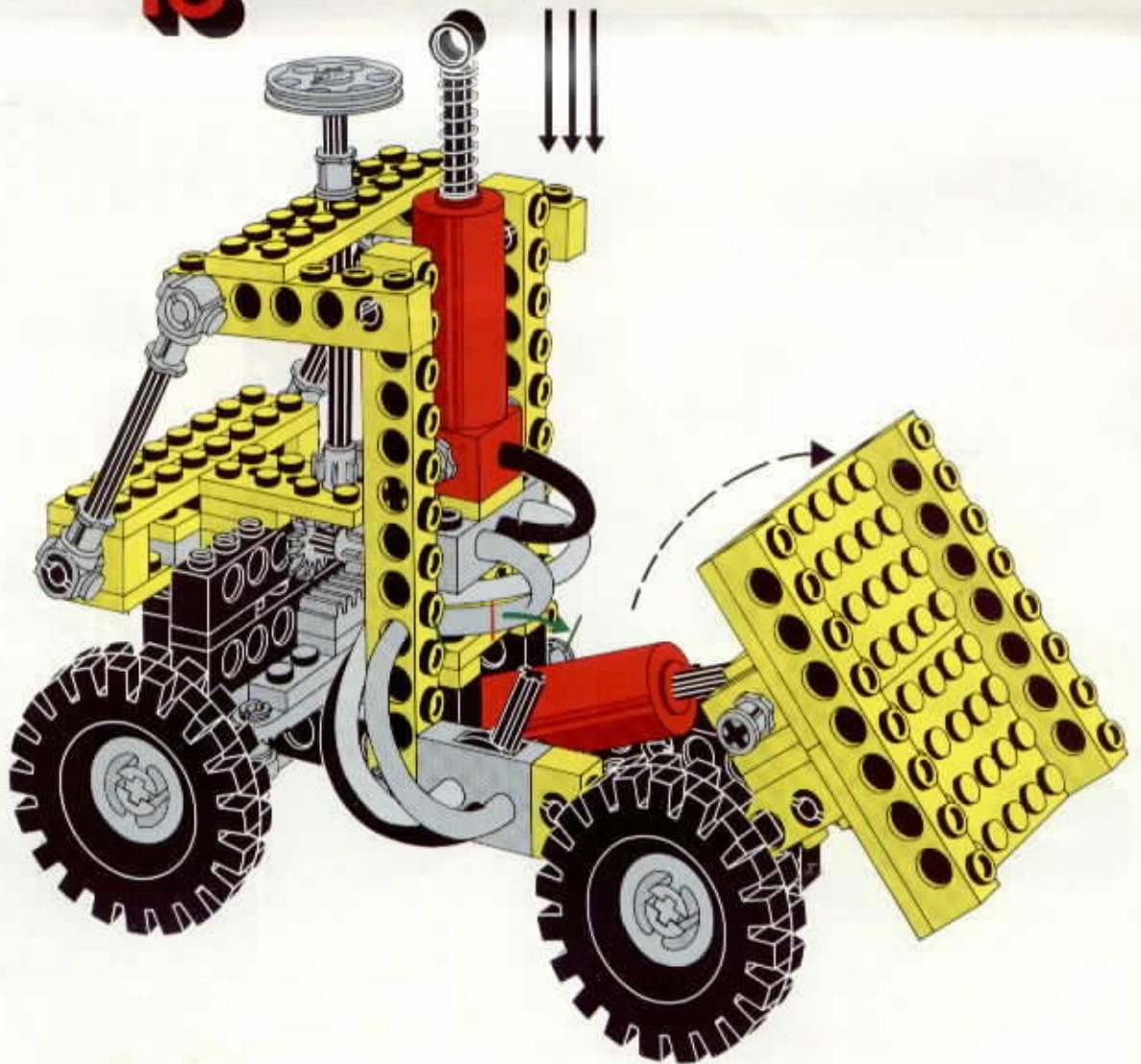


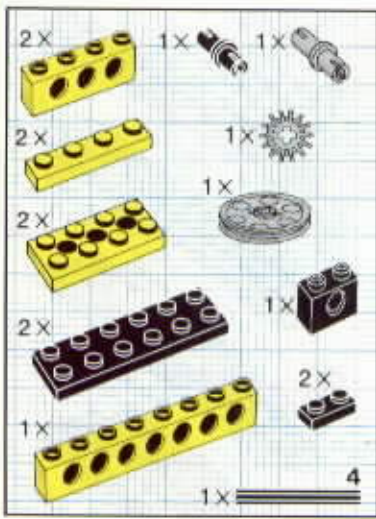
9



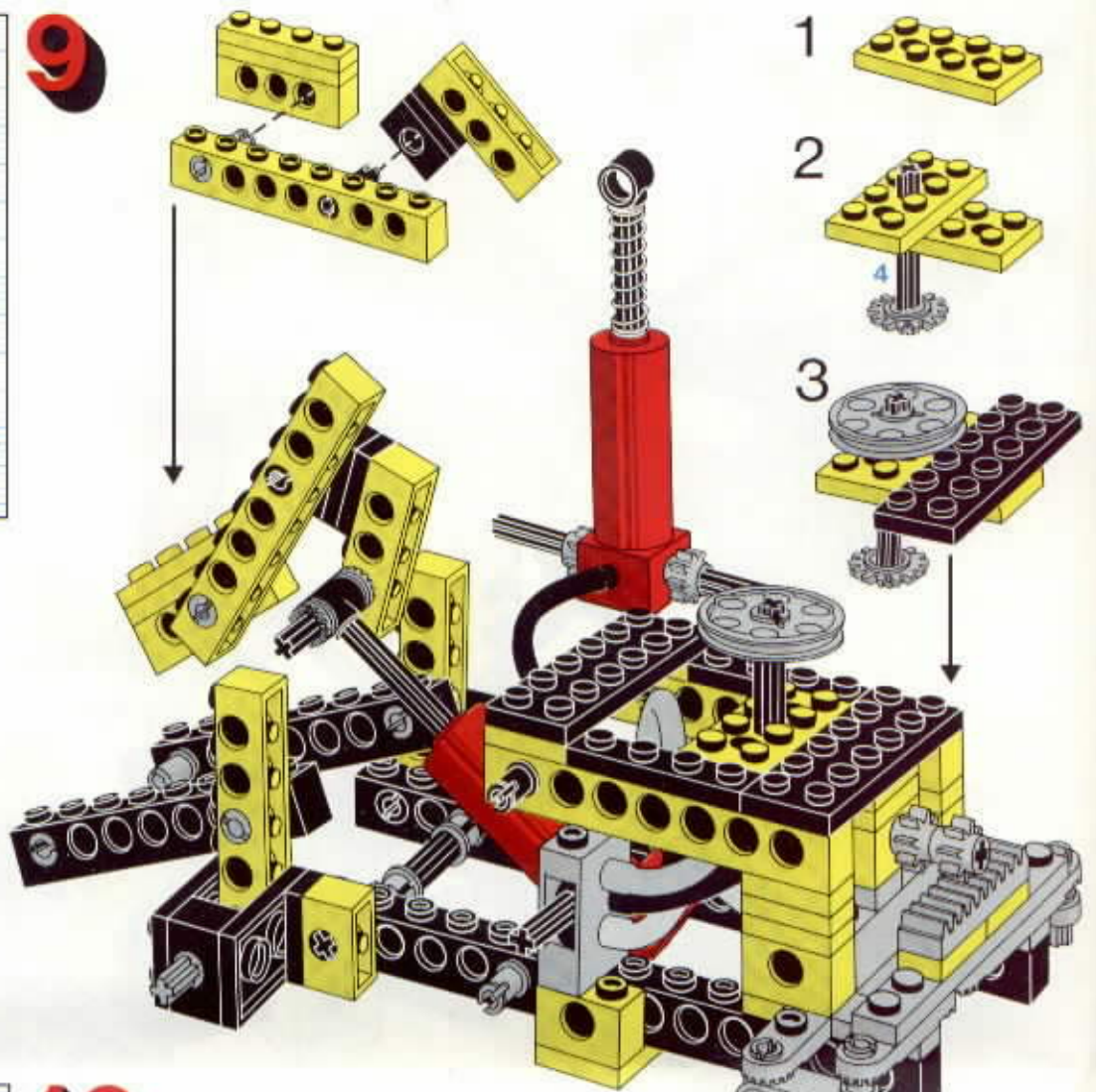


15





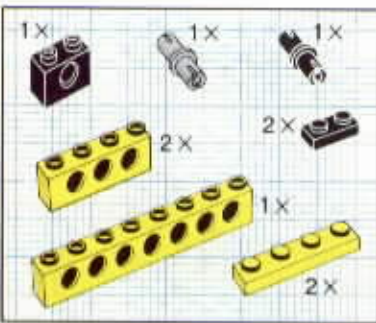
9



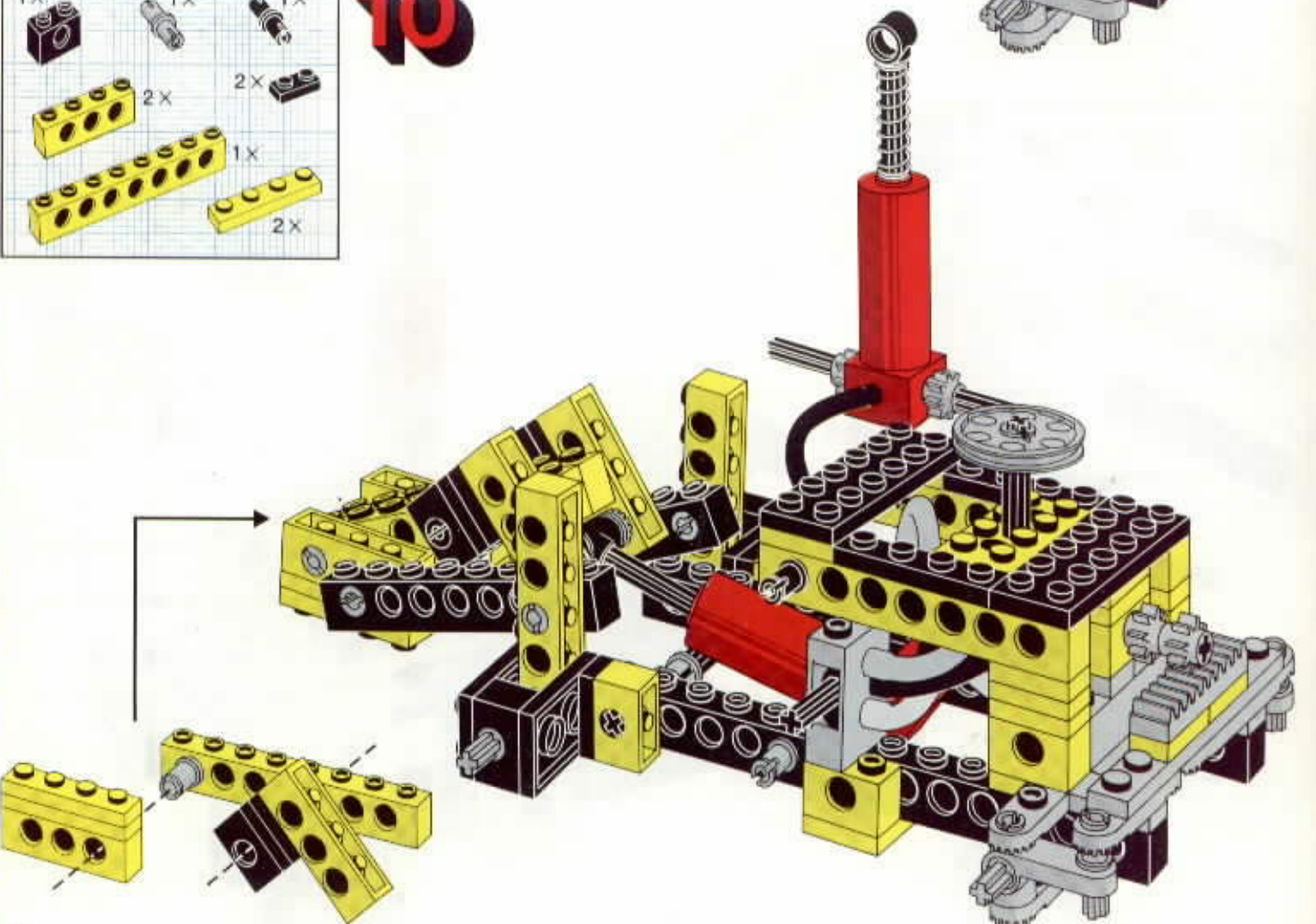
1

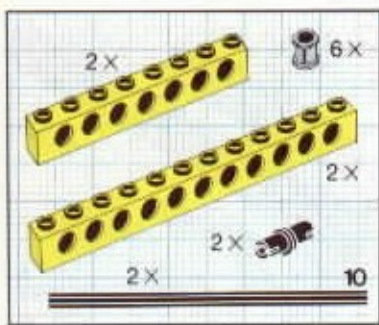
2

3

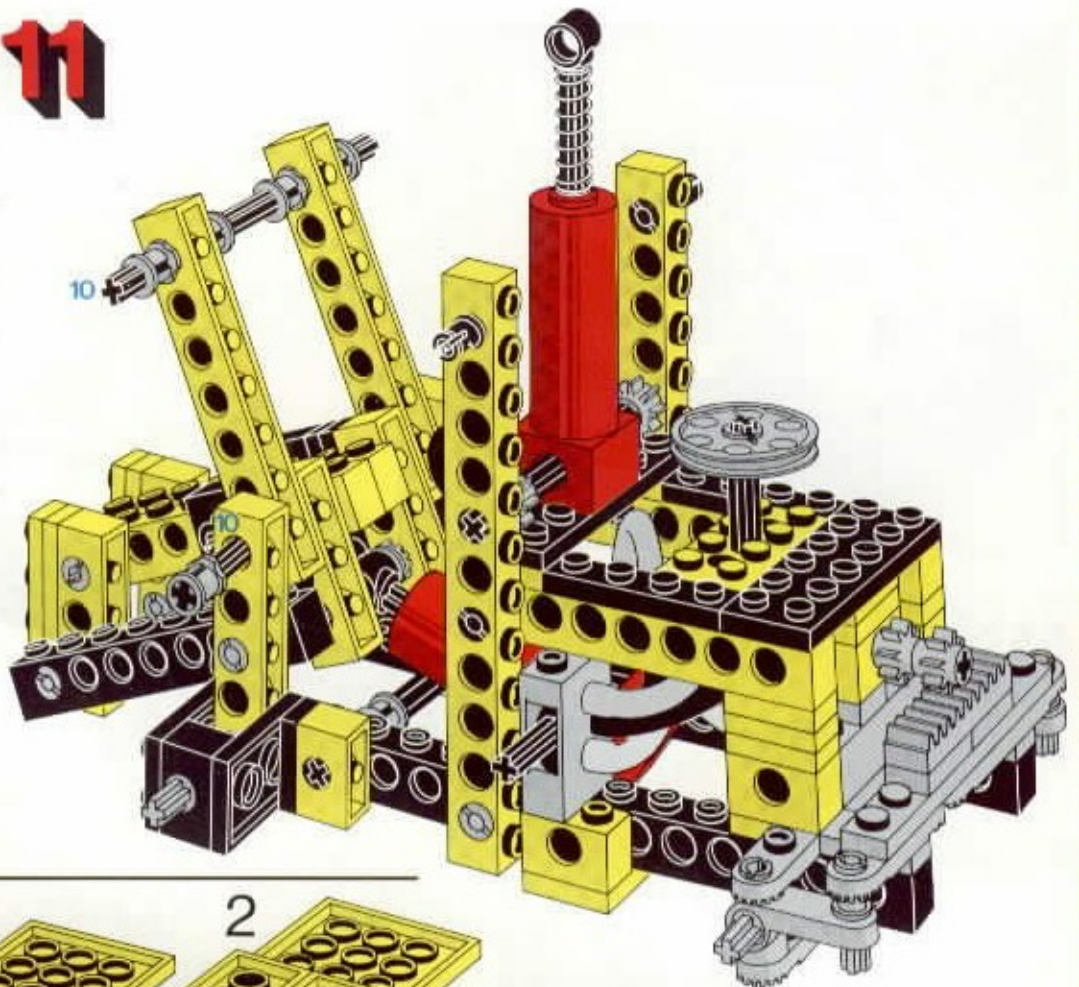


10

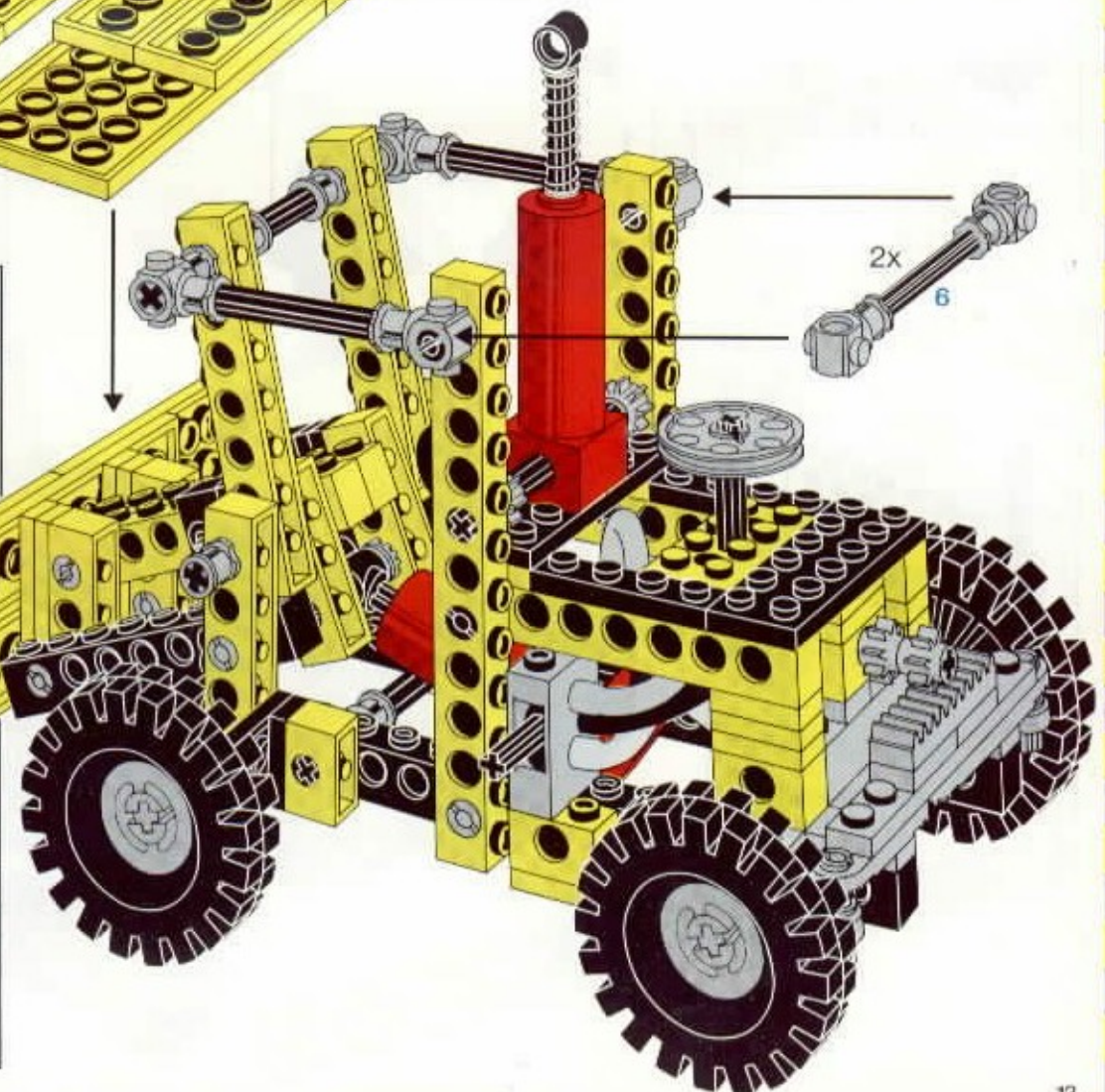
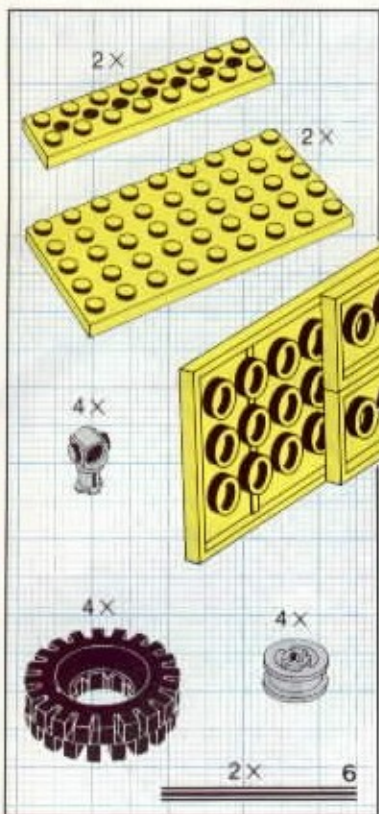
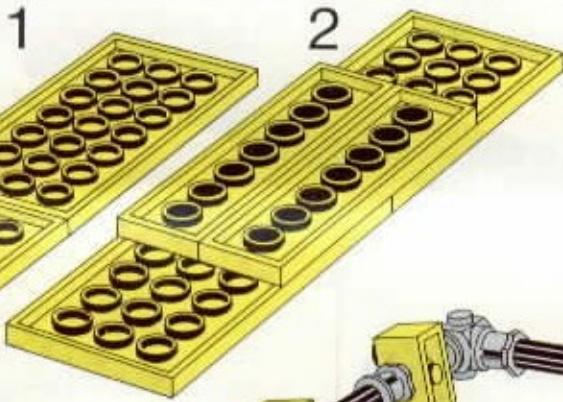


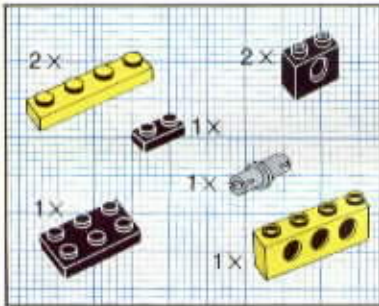
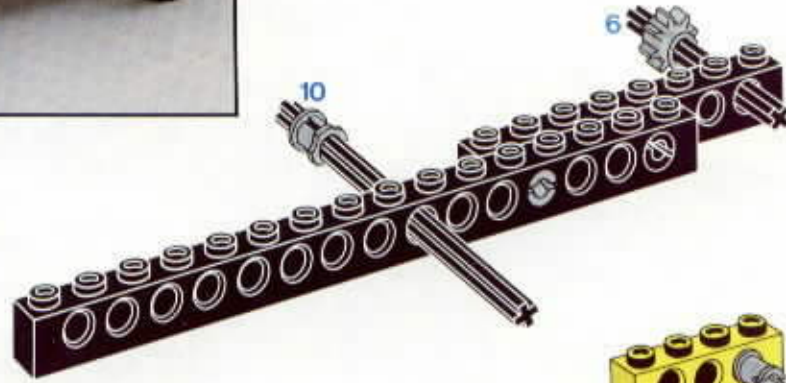
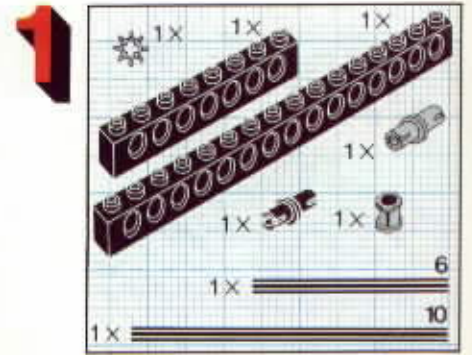


11

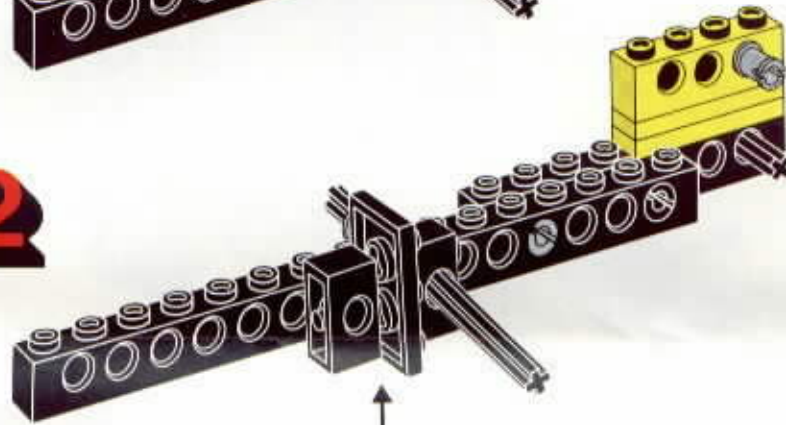


12



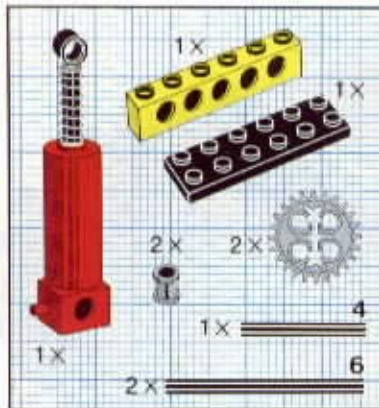


2

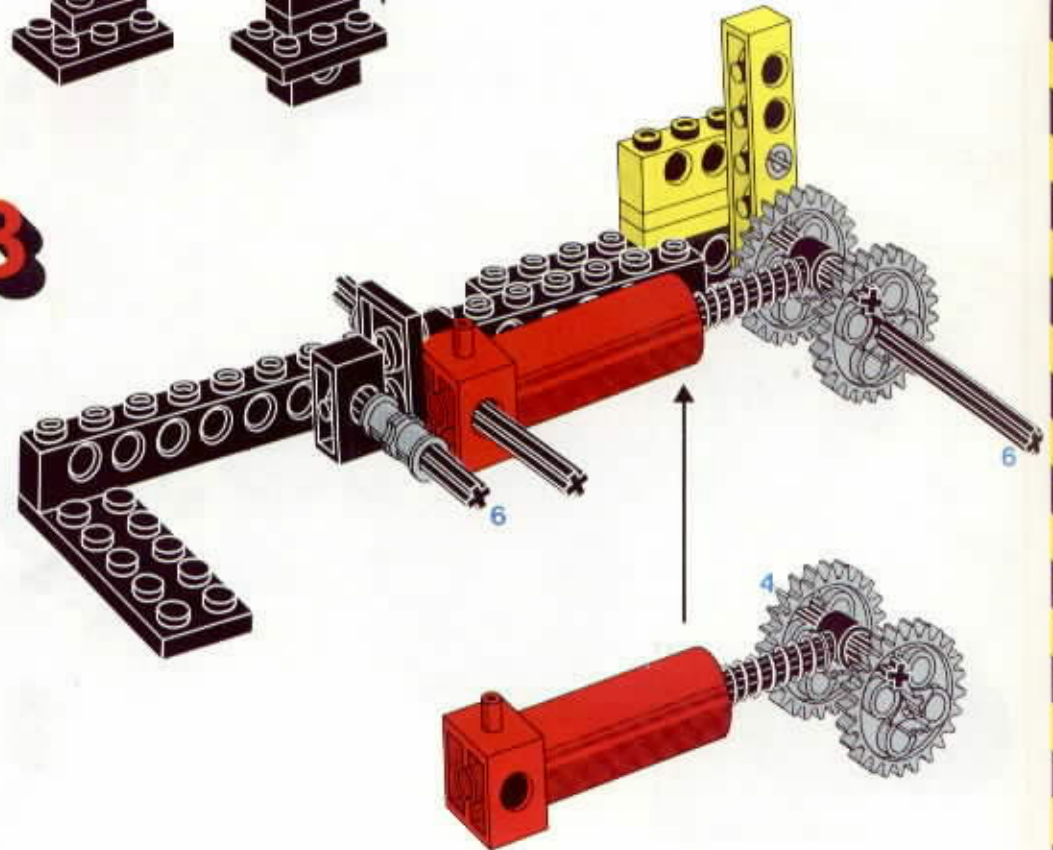


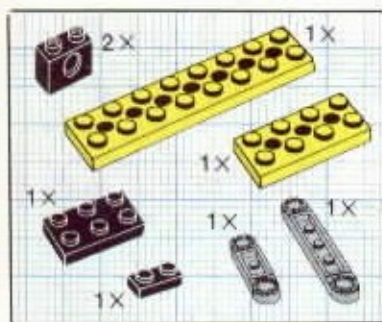
1

2

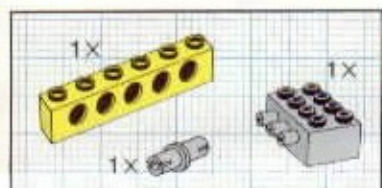
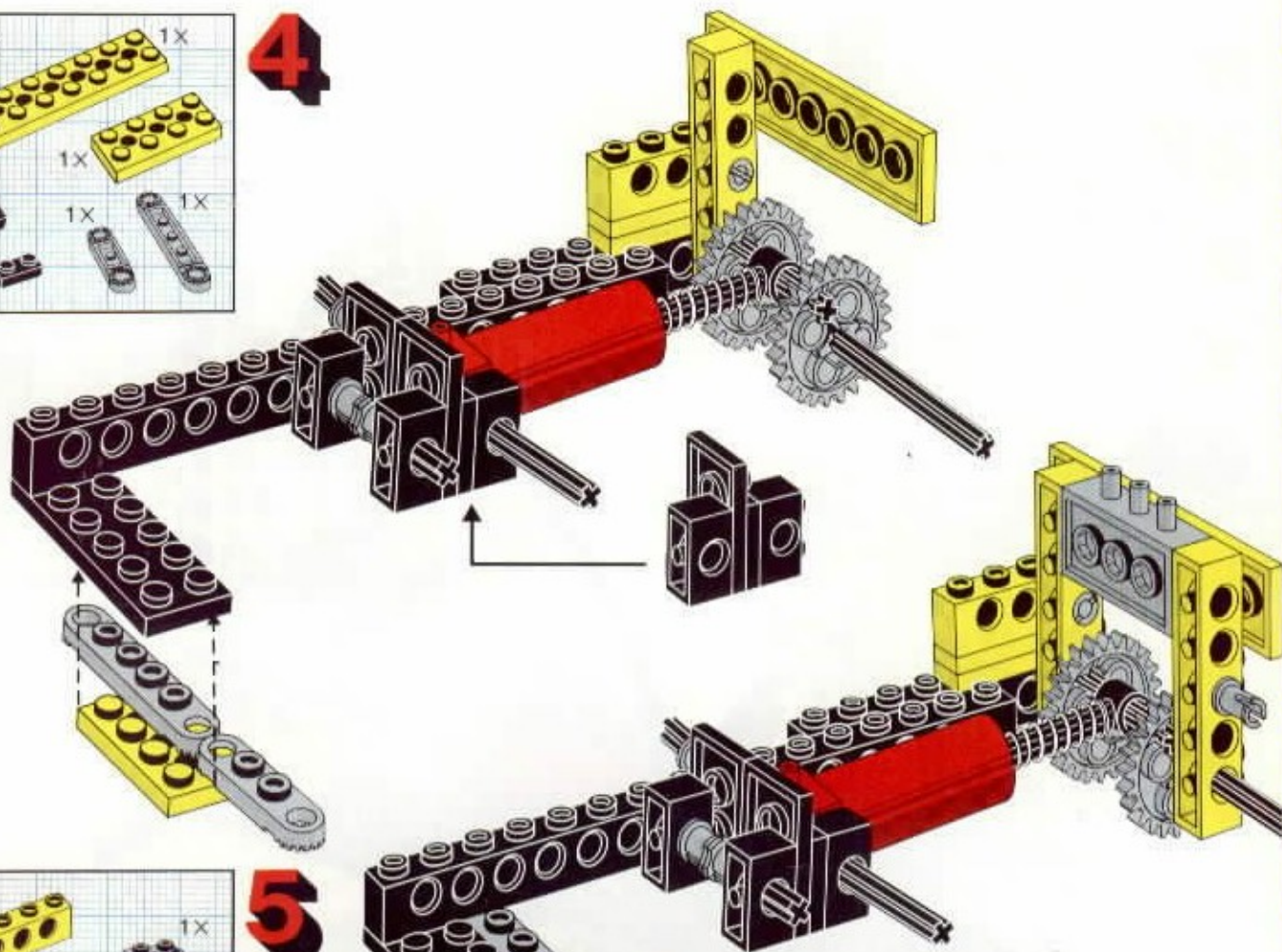


3

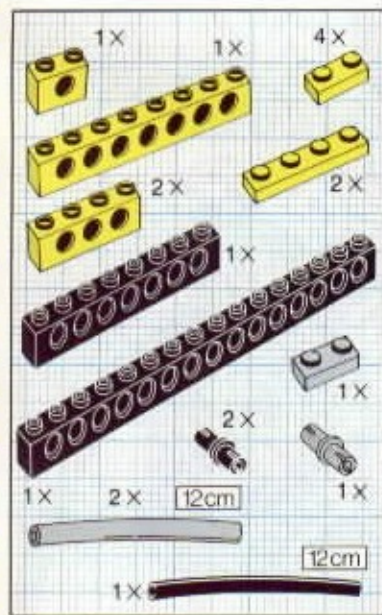




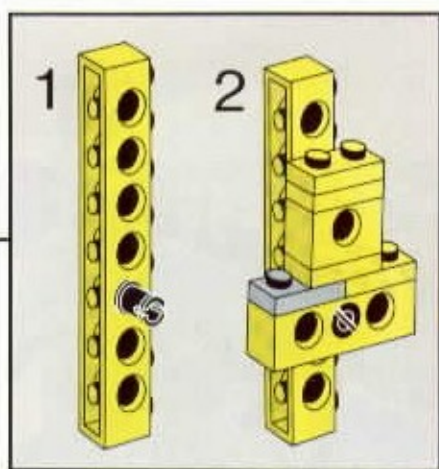
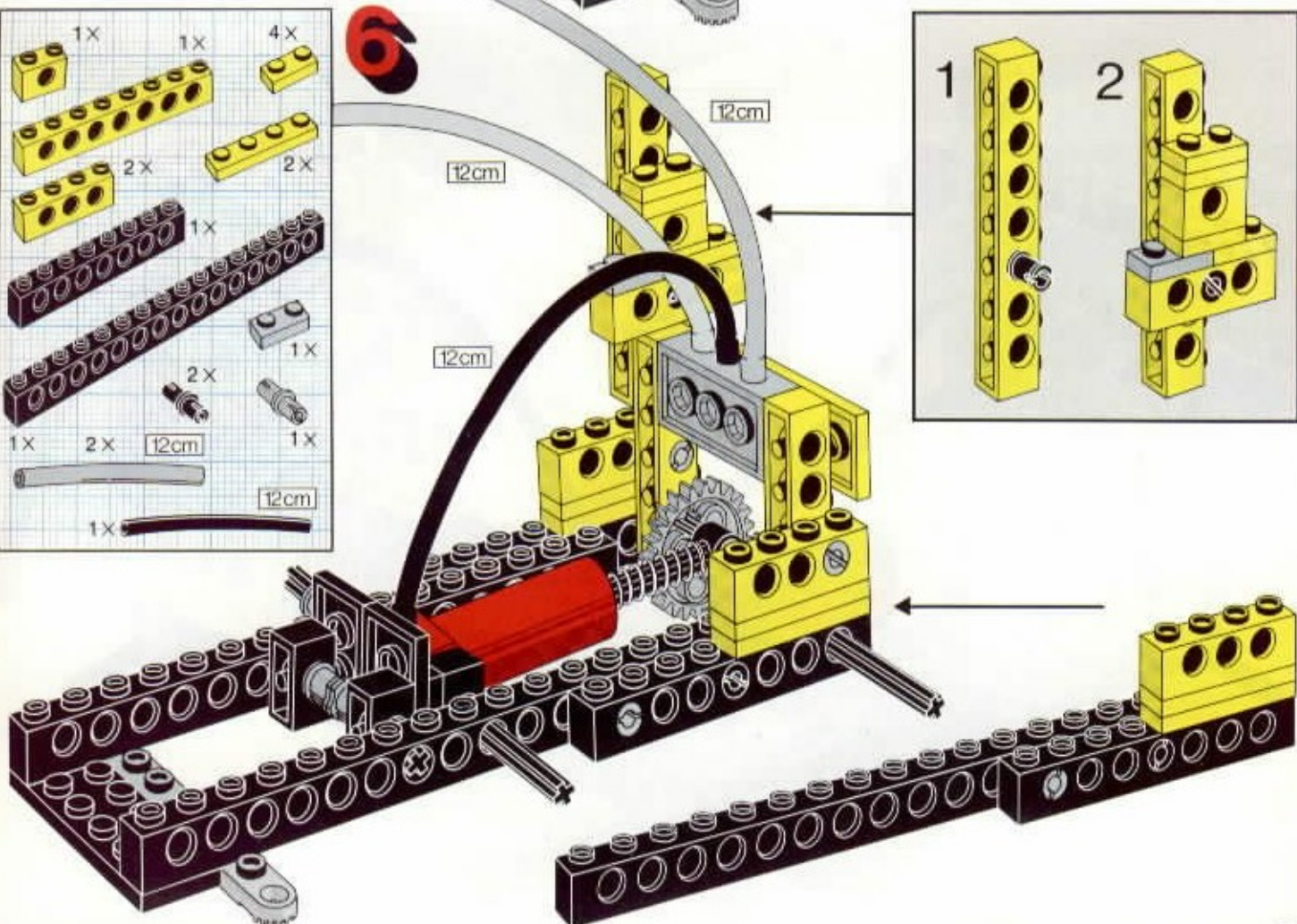
4

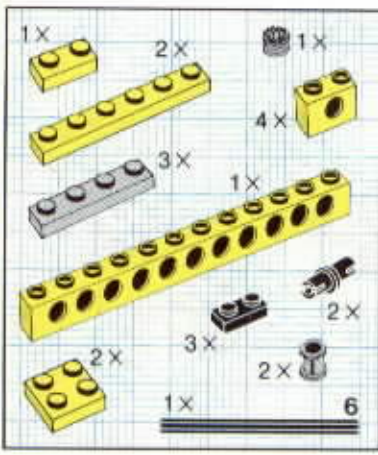


5

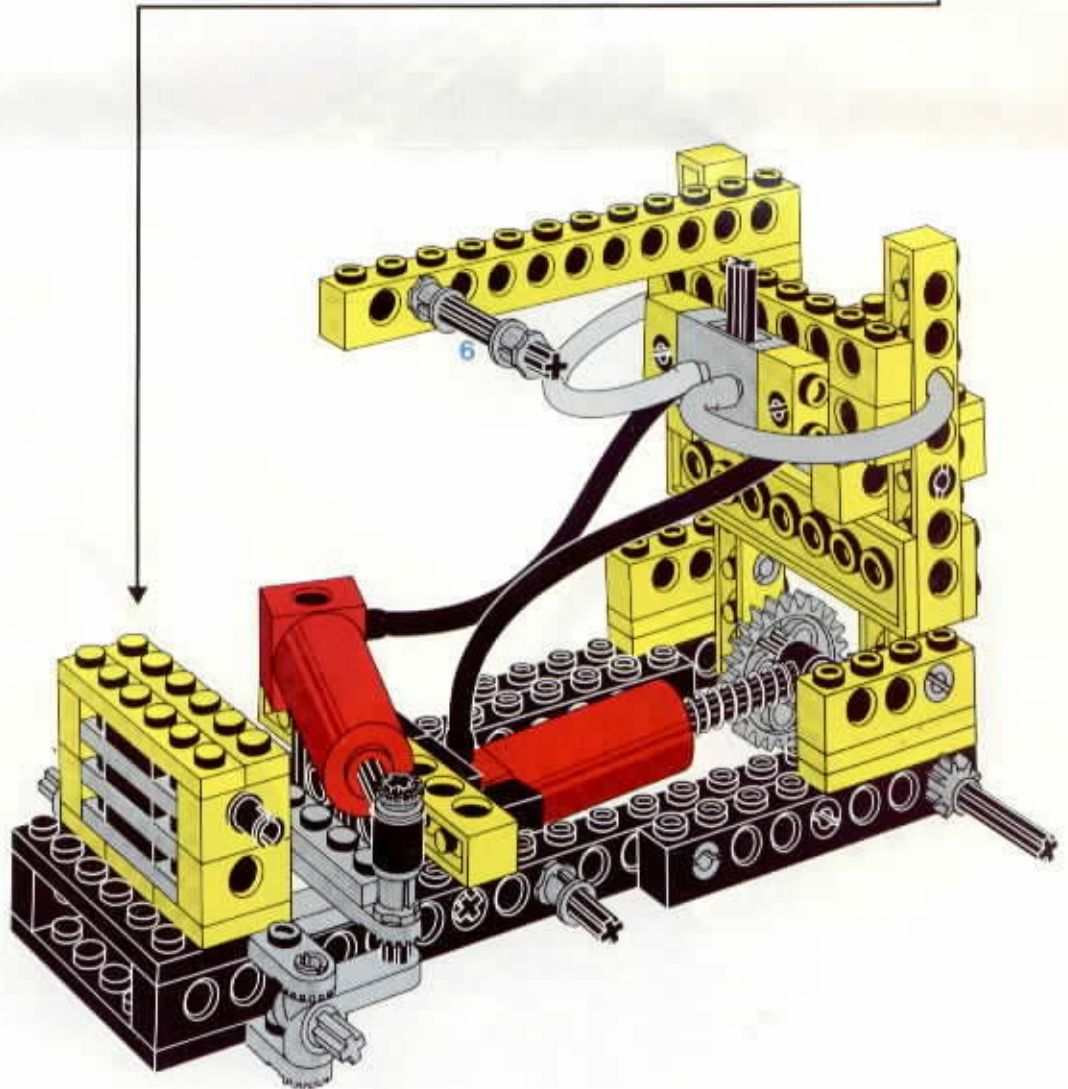
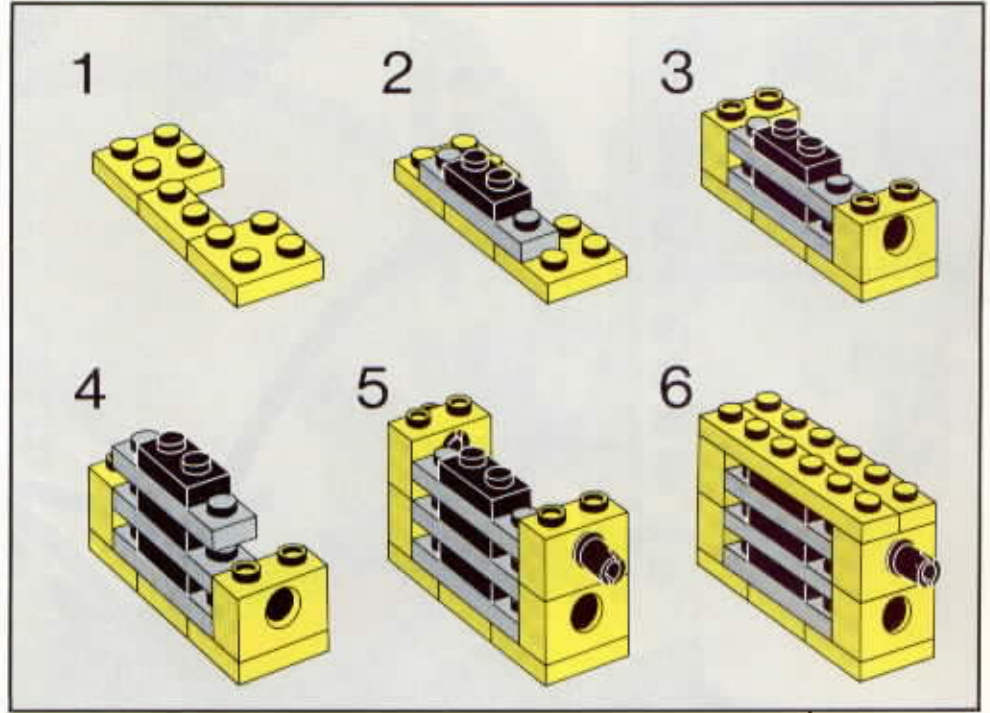


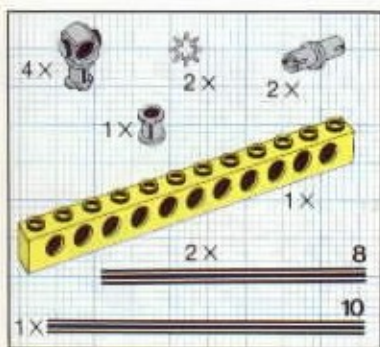
6



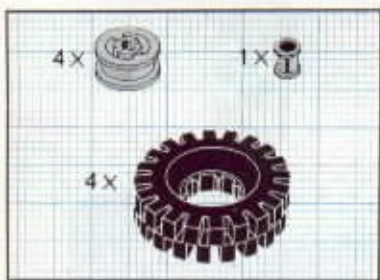
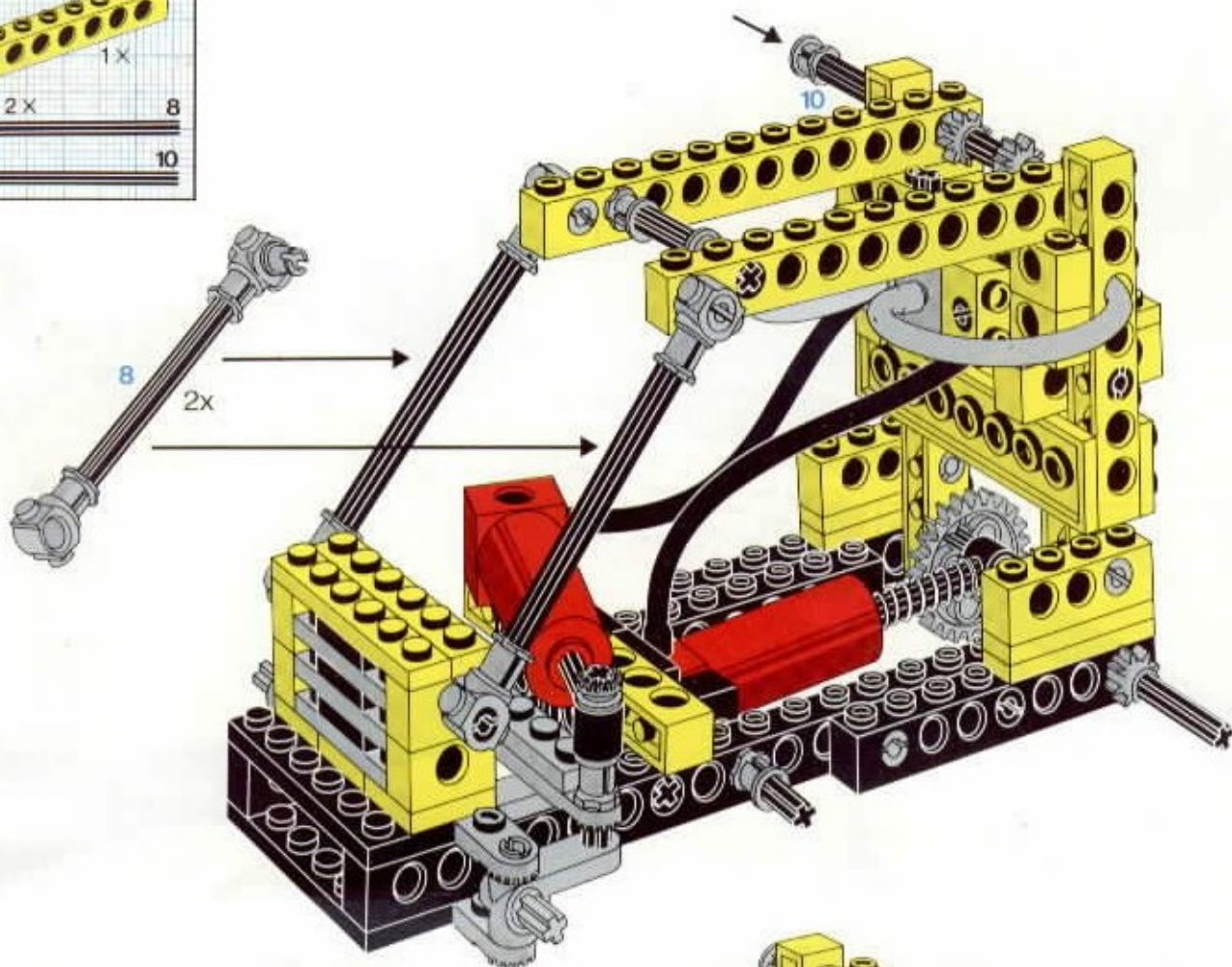


11

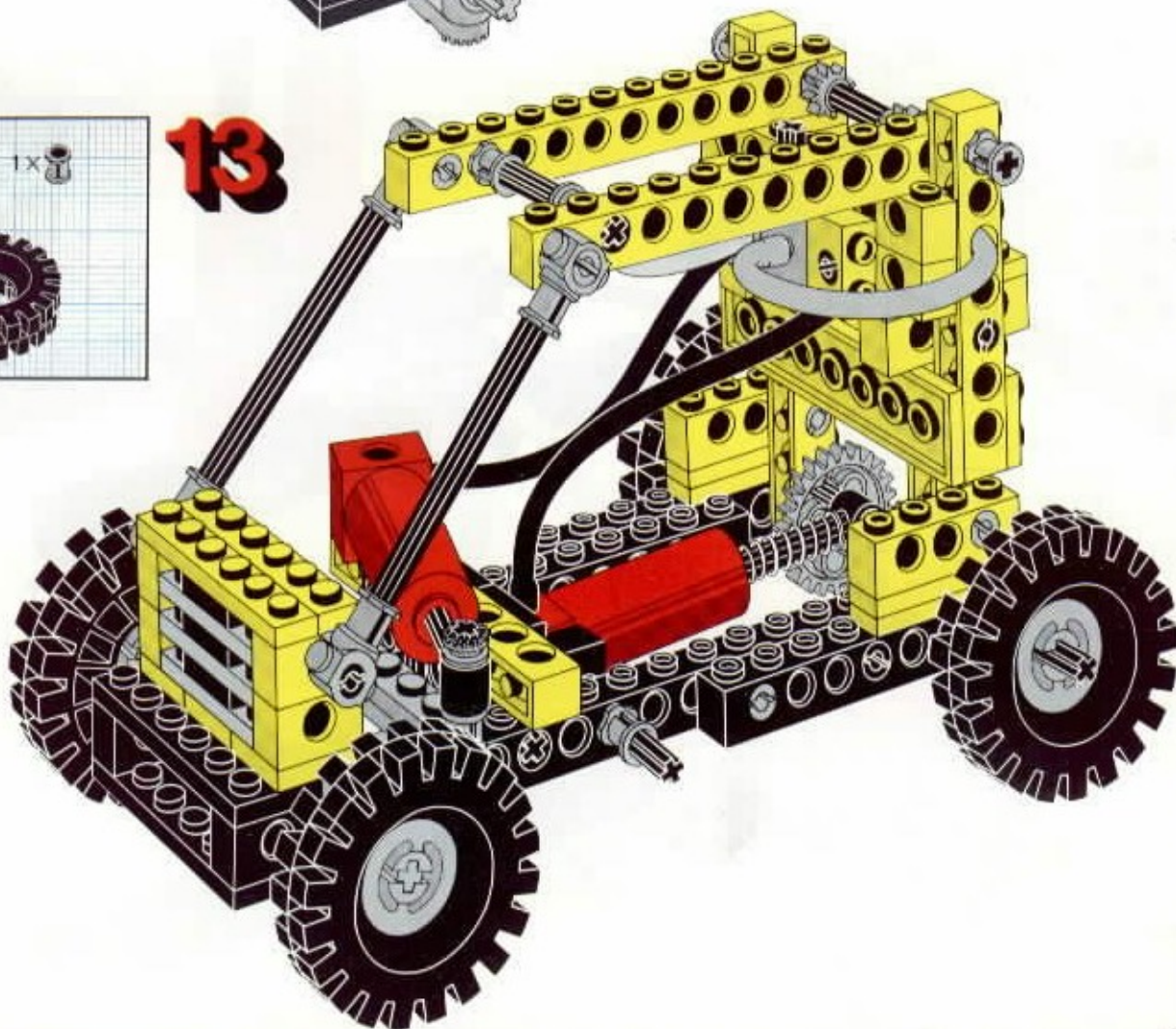


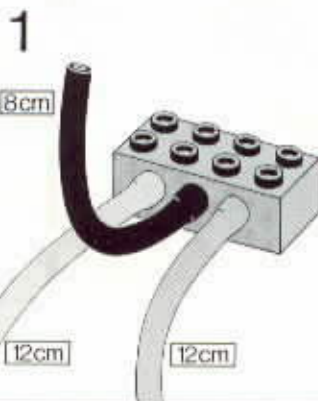
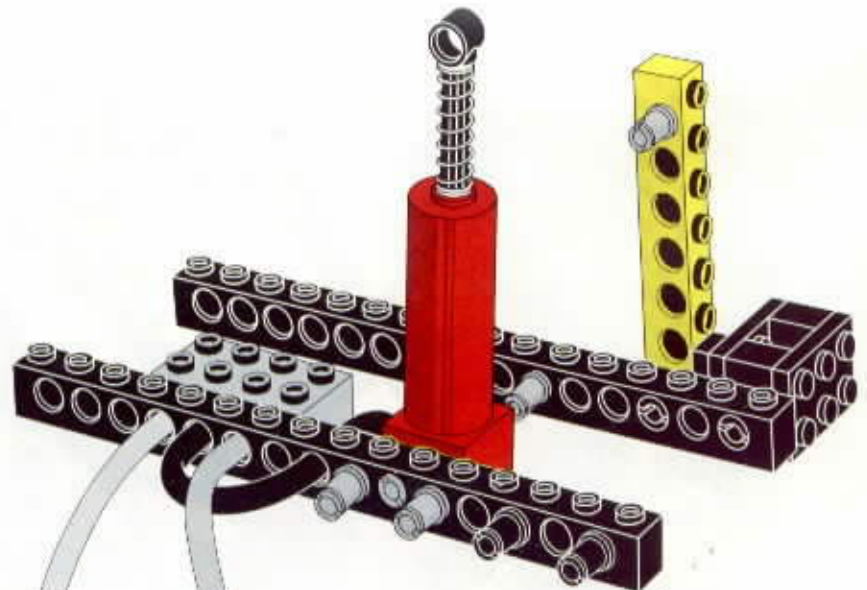
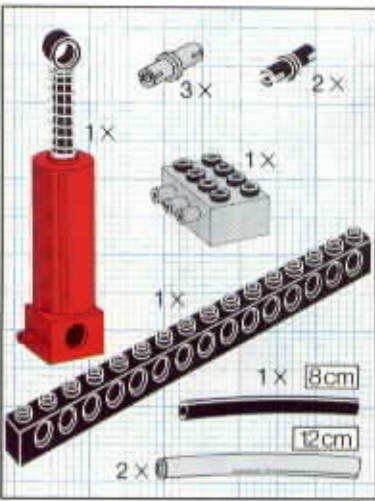
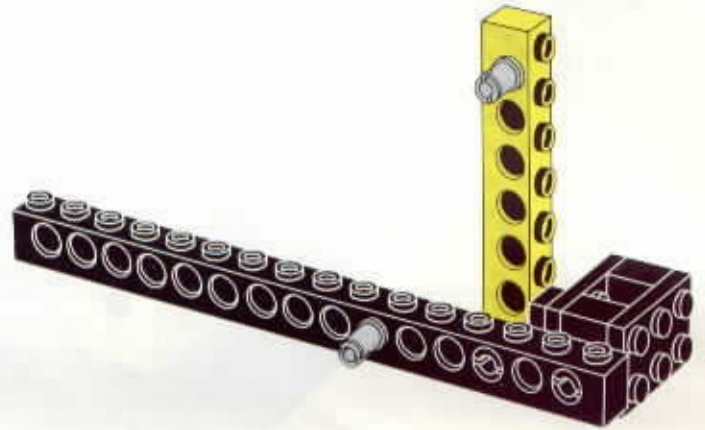
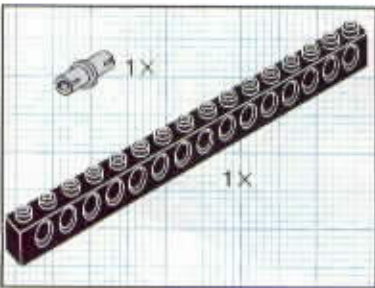
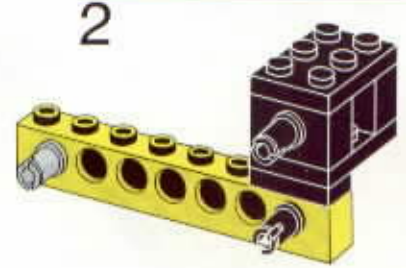
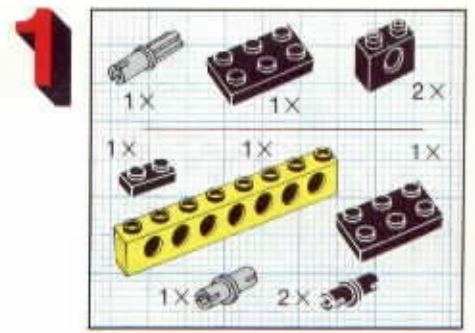
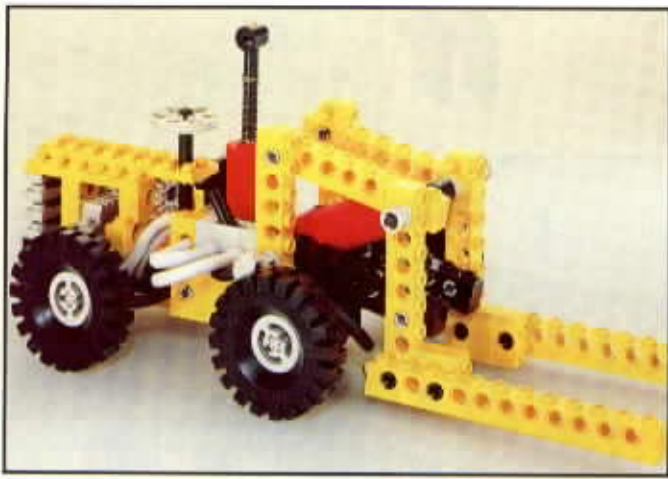


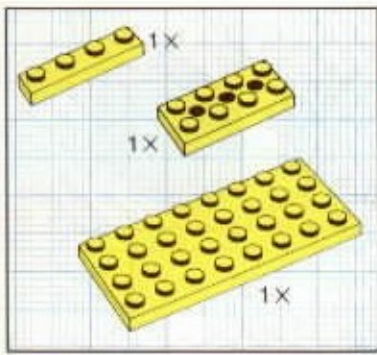
12



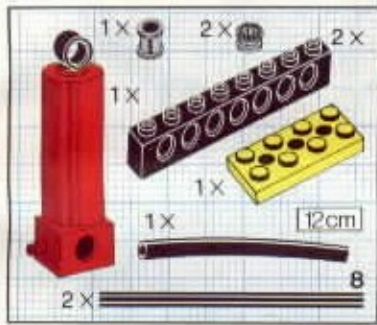
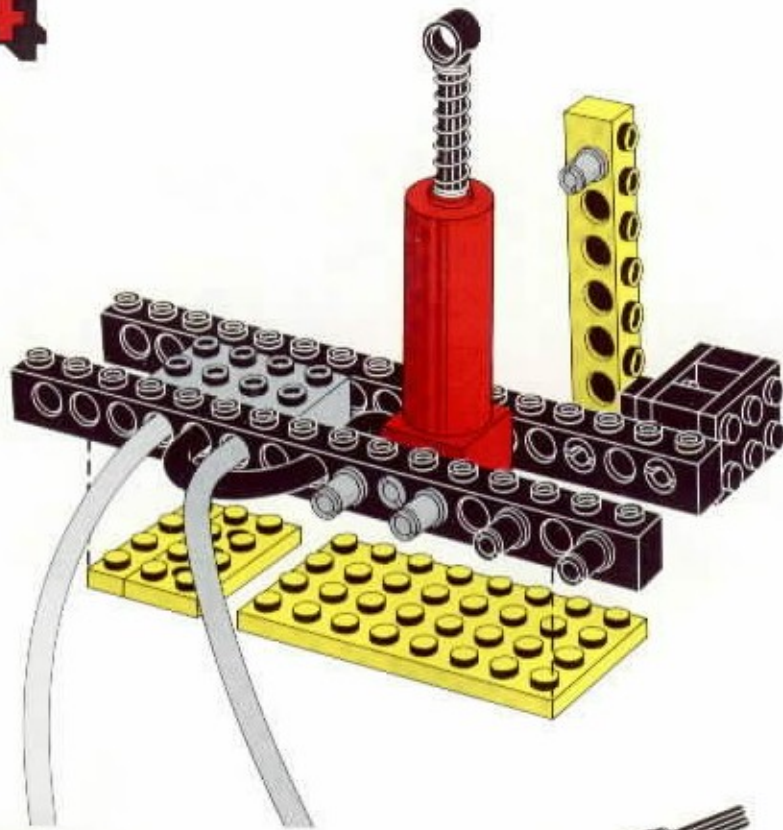
13



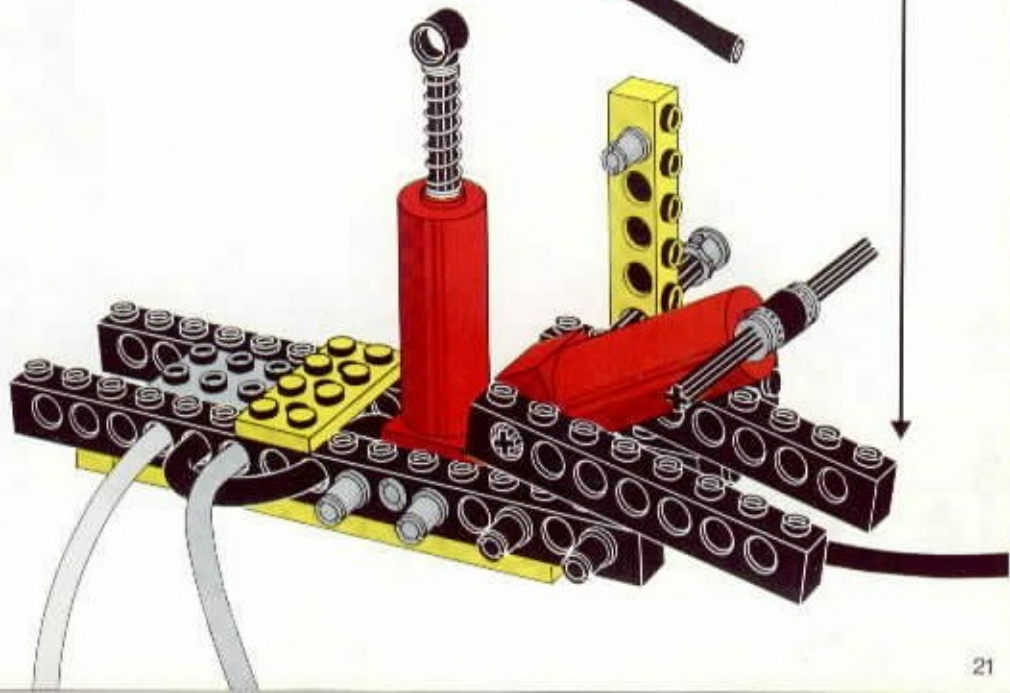
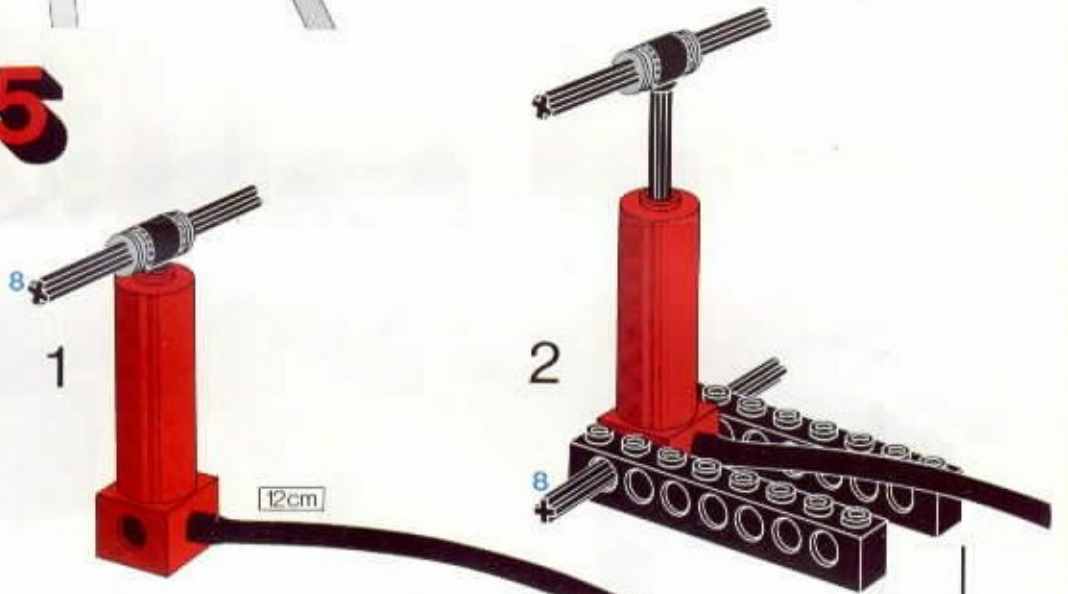


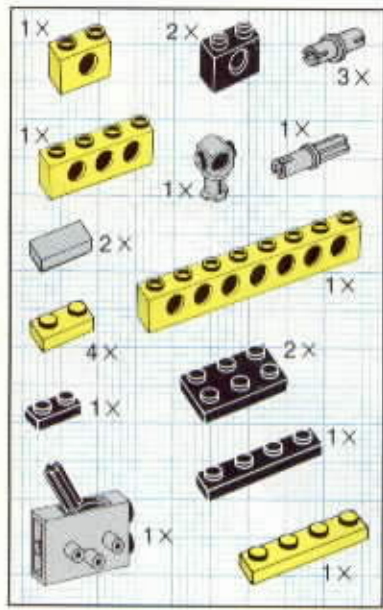


4

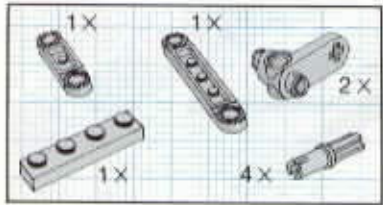
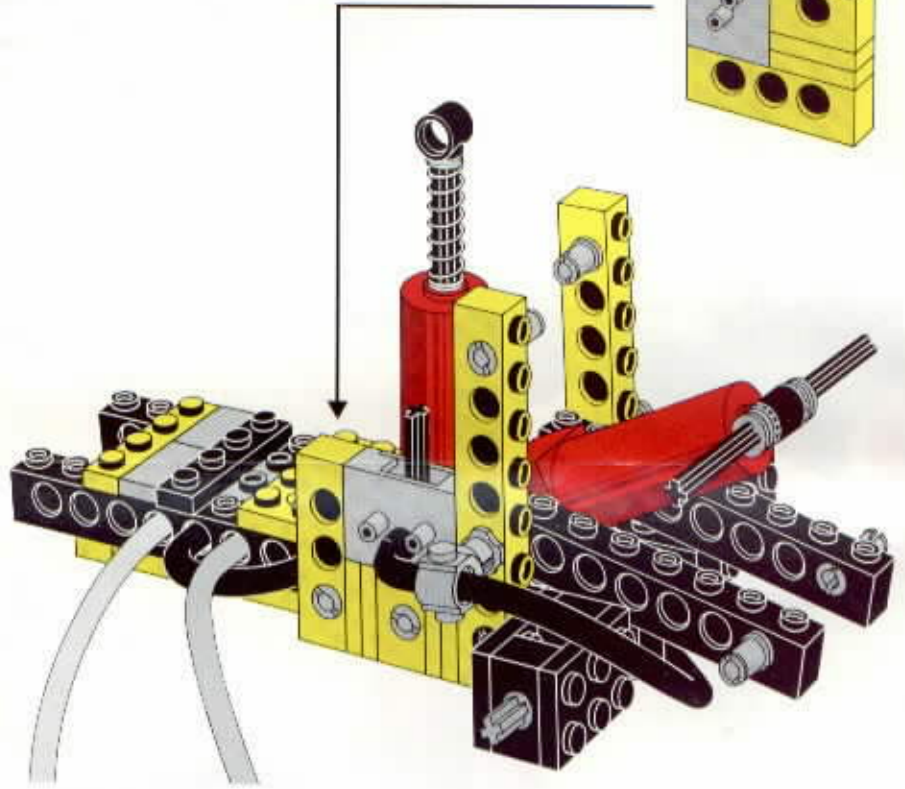
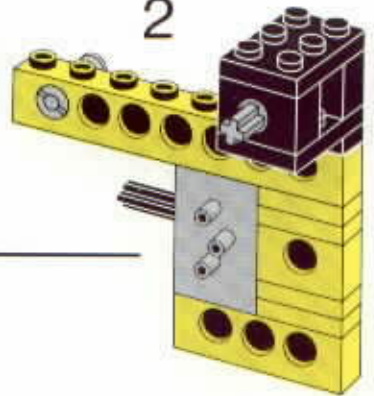
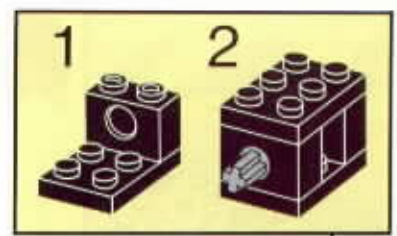
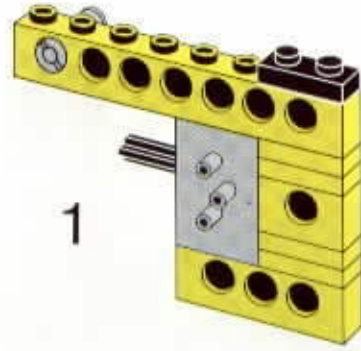


5

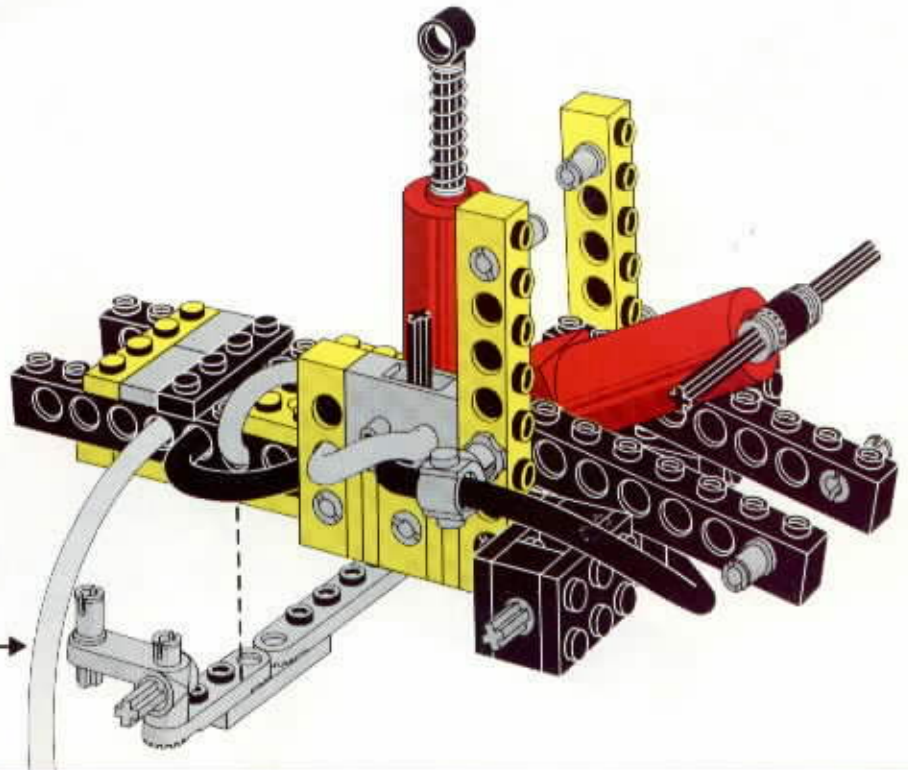
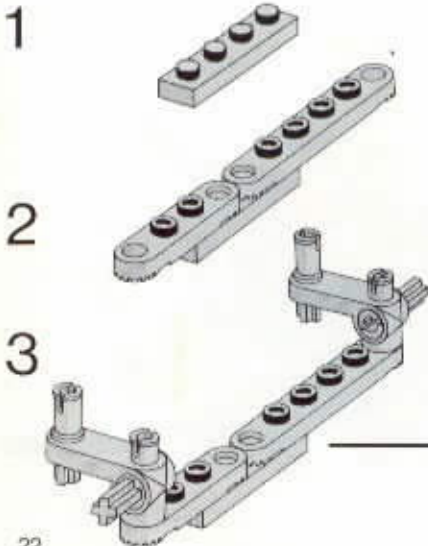


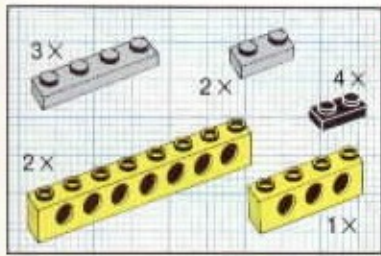


6

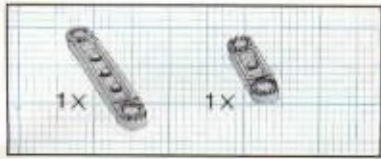
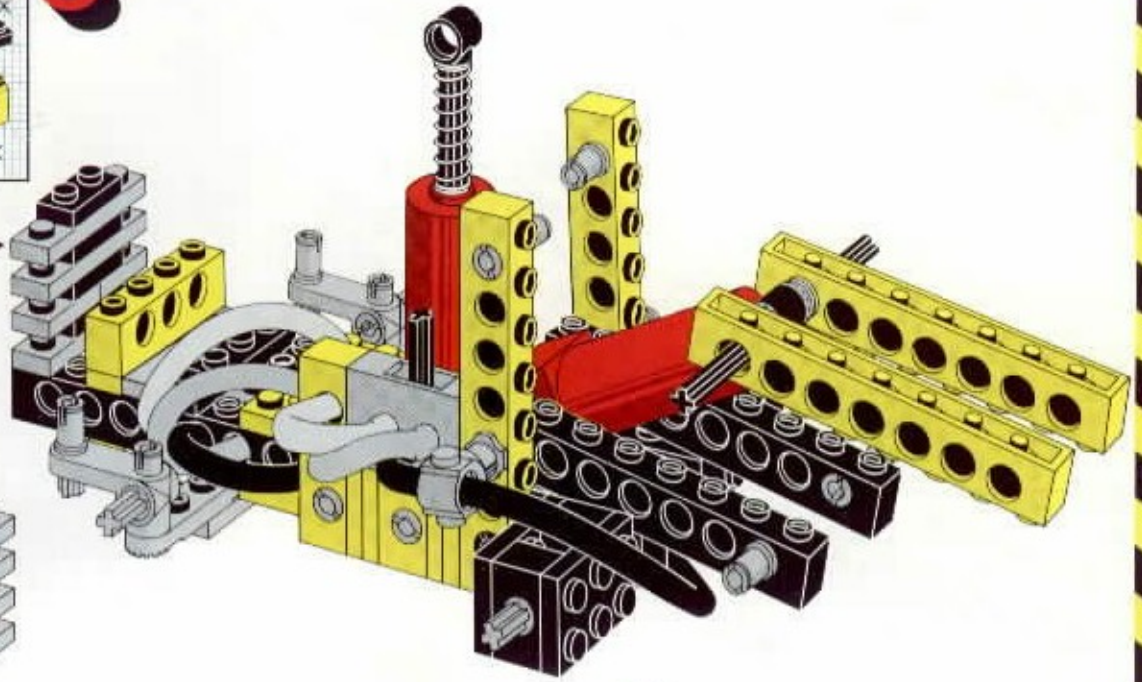
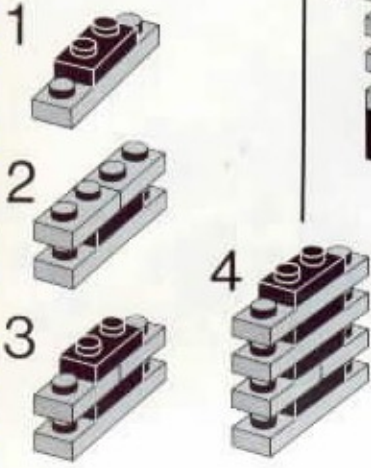


7

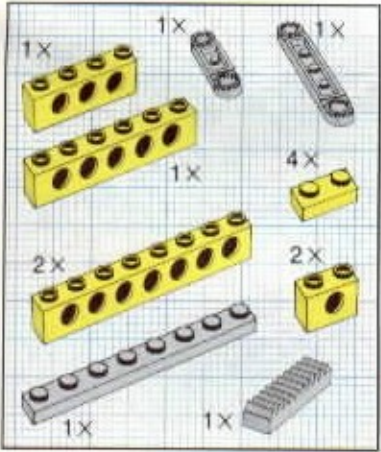




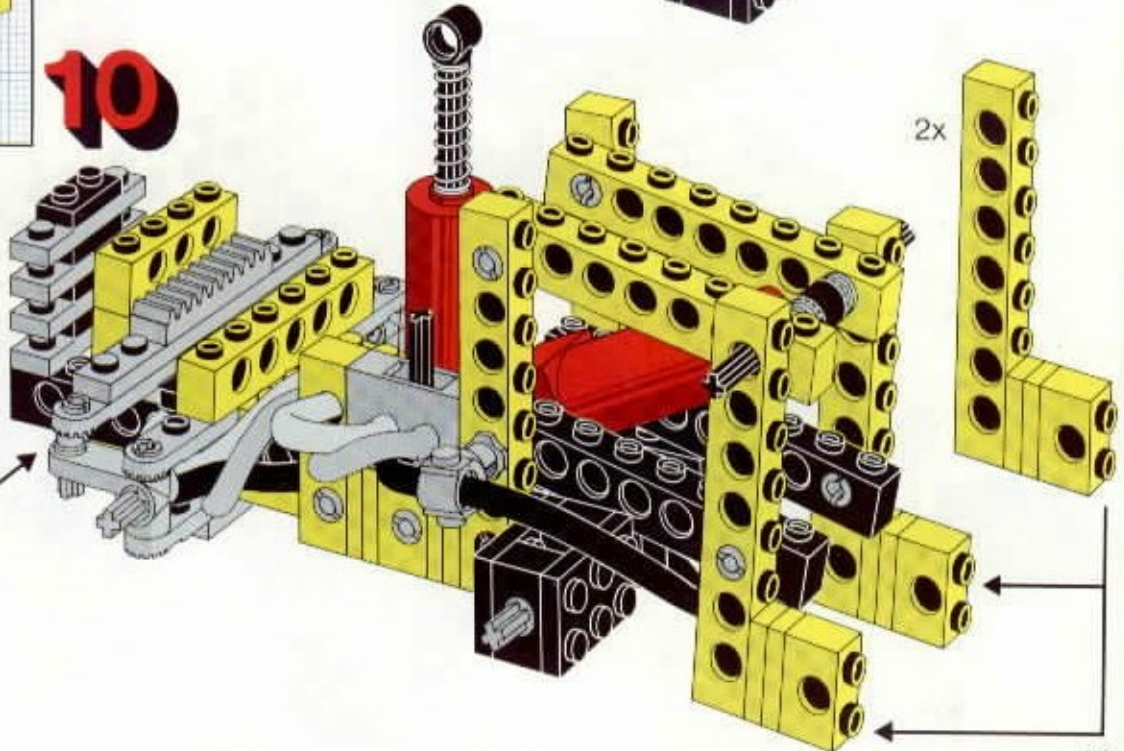
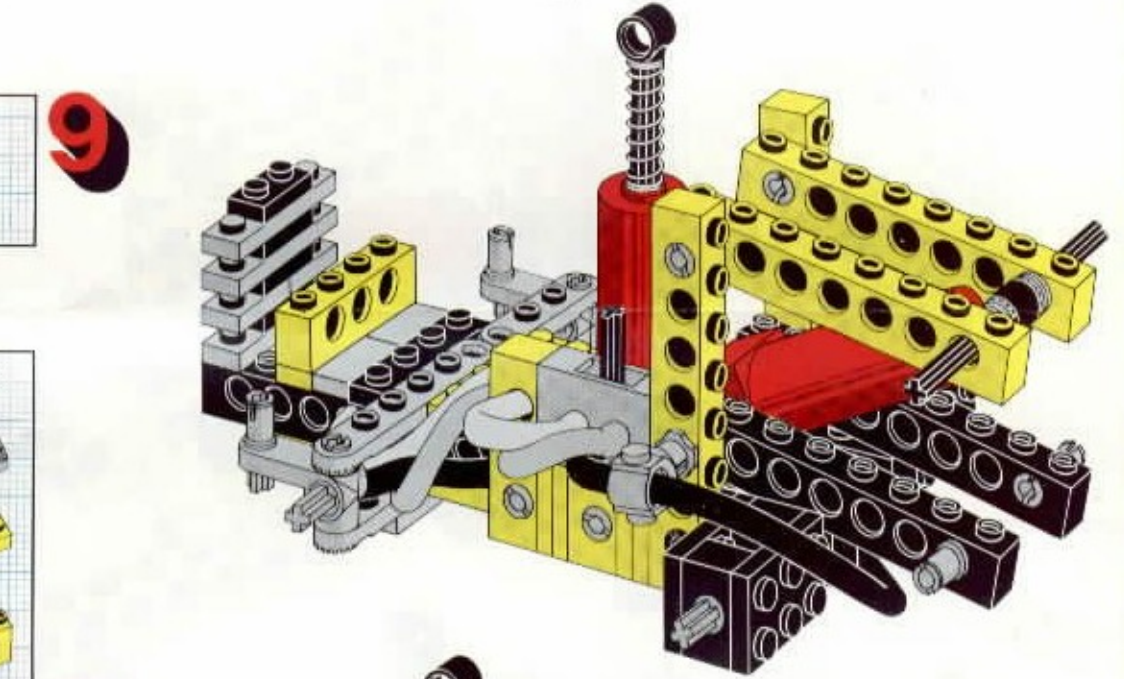
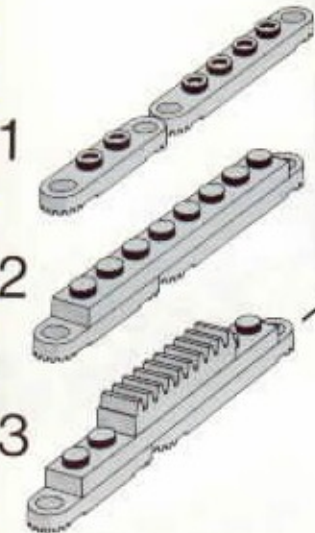
8

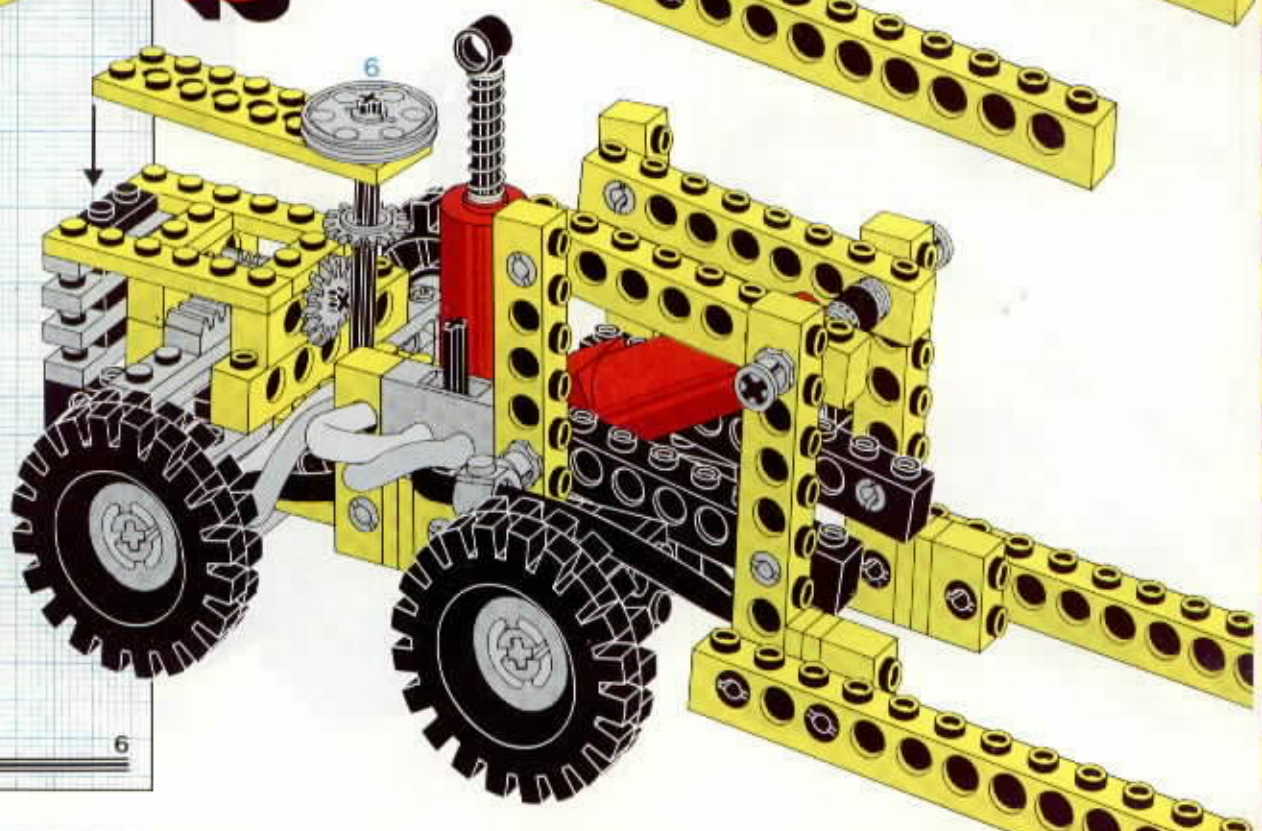
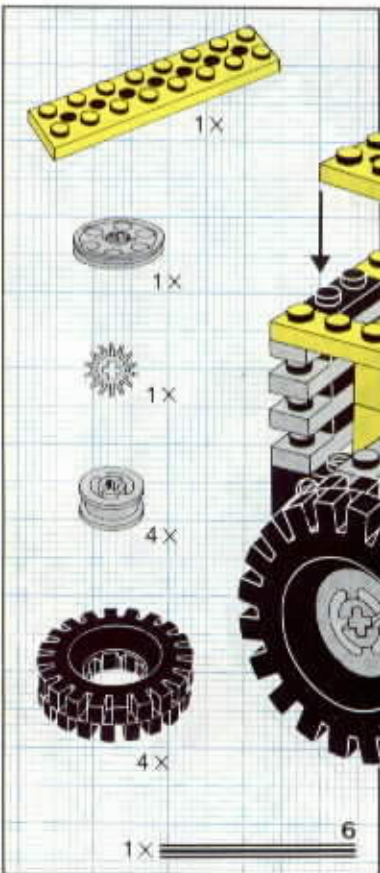
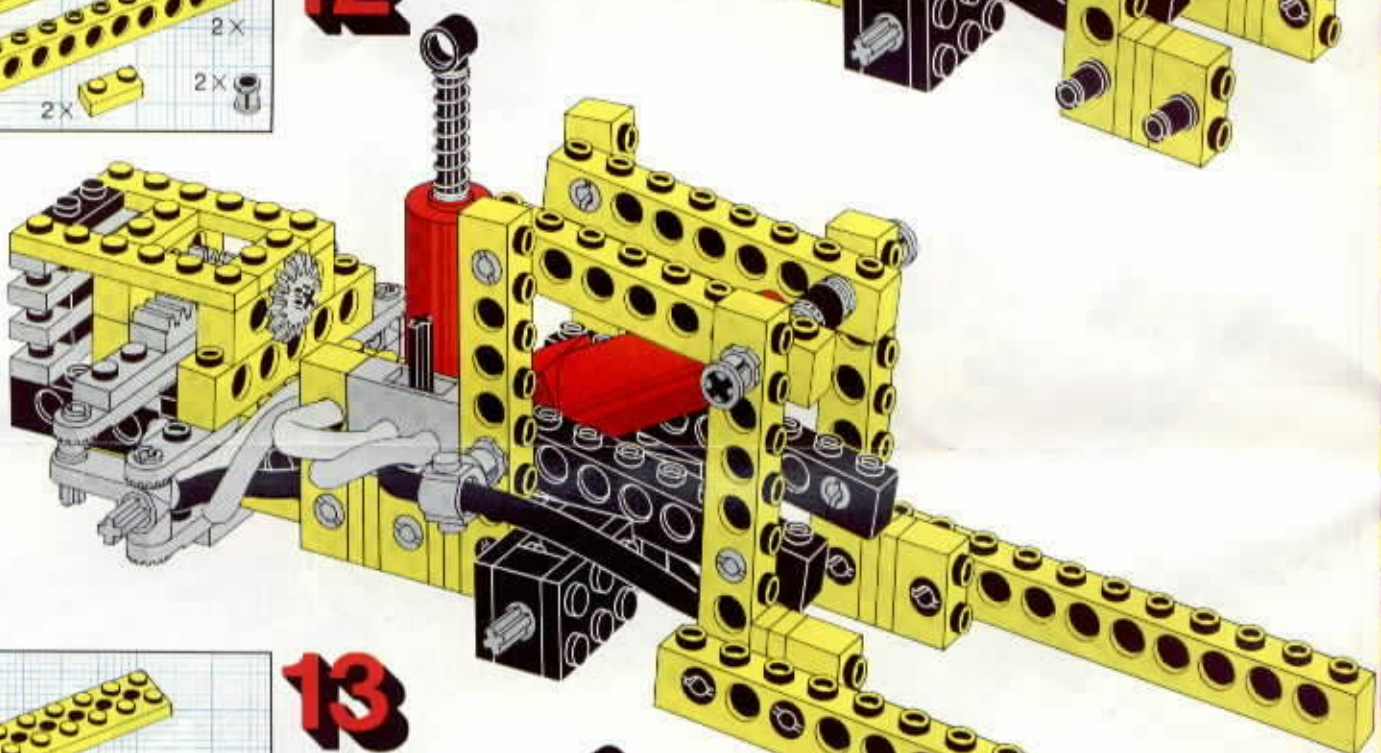
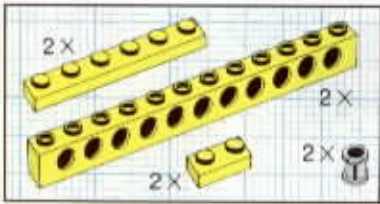
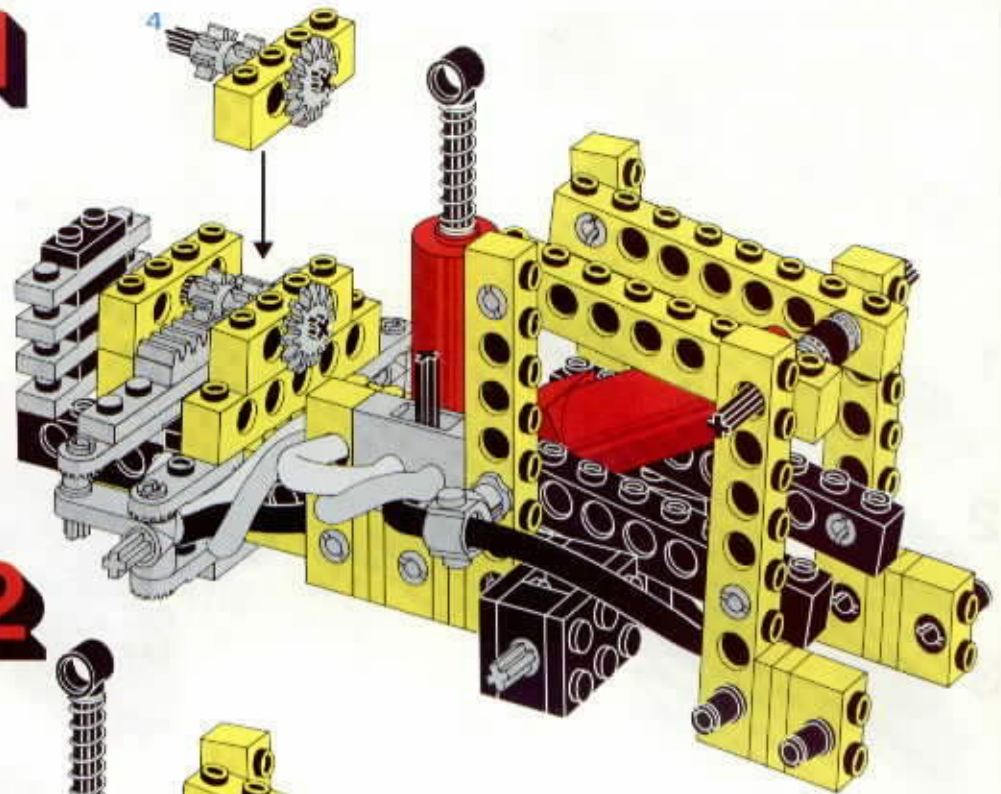
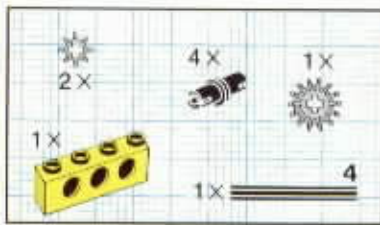


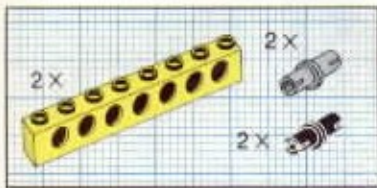
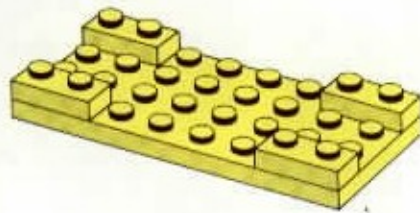
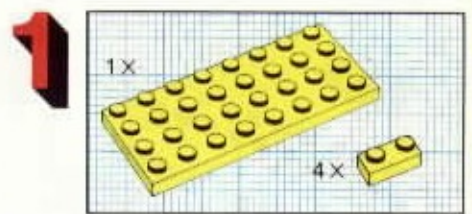
9



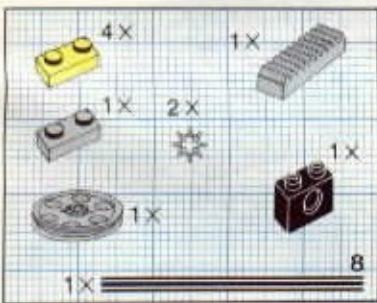
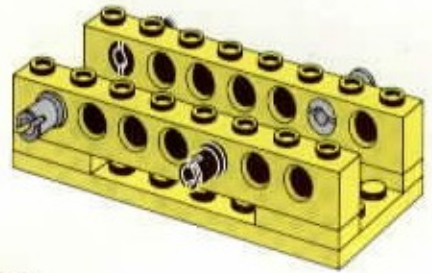
10



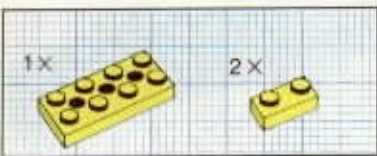
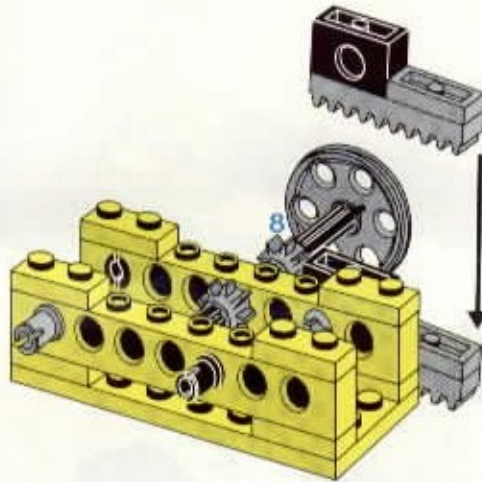




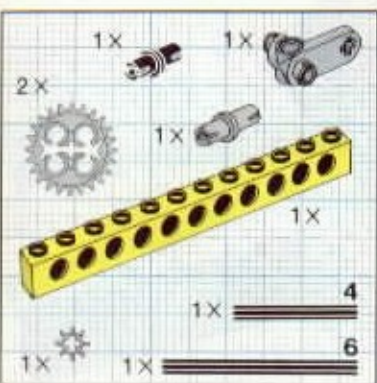
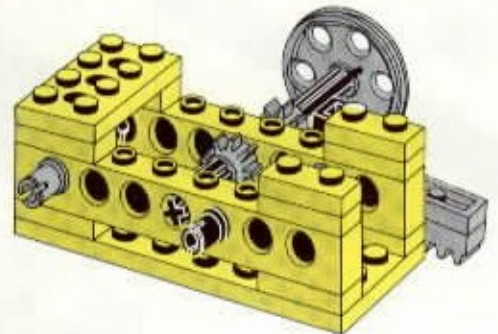
2



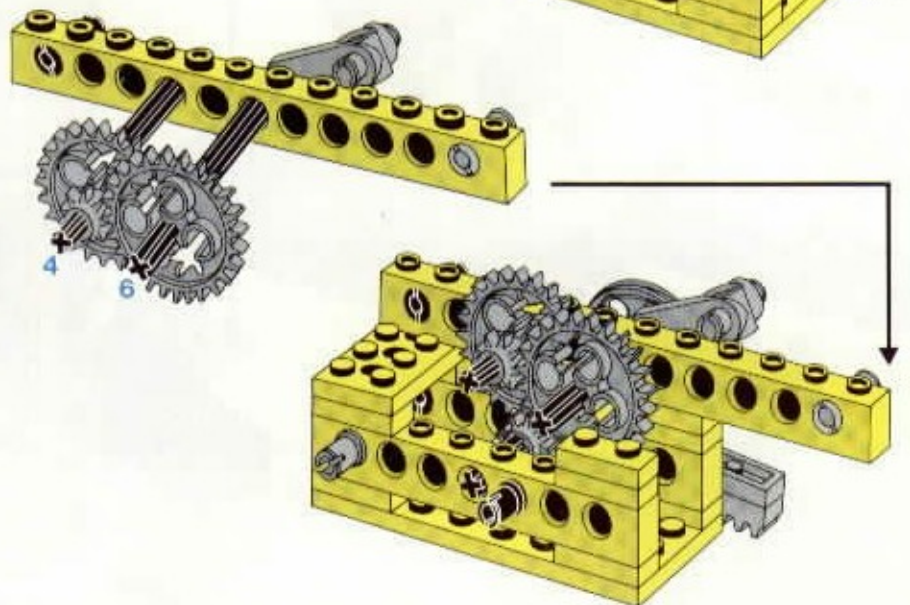
3

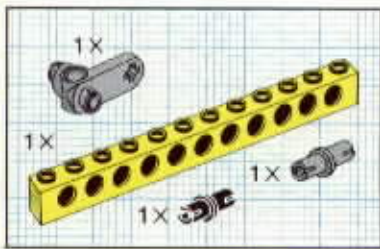


4

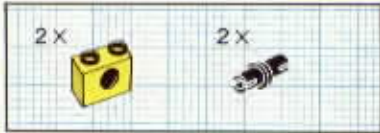
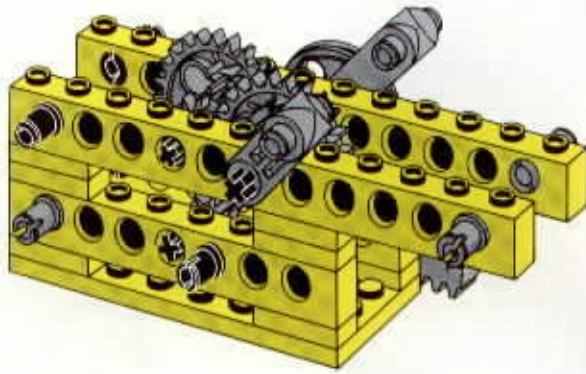


5

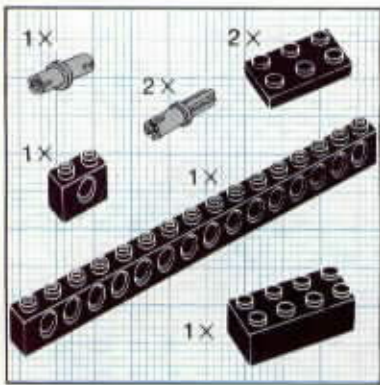
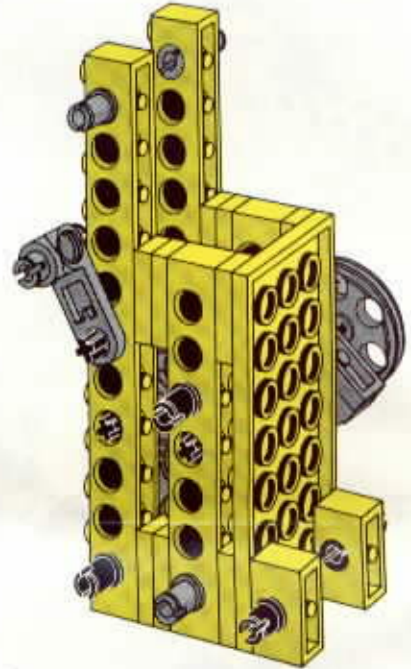




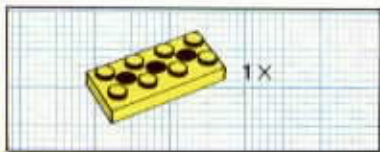
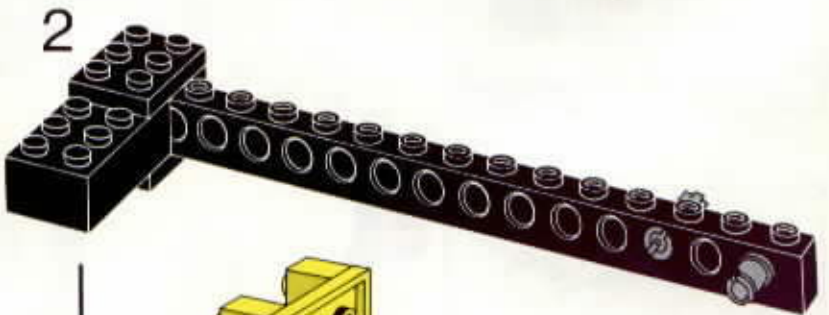
6



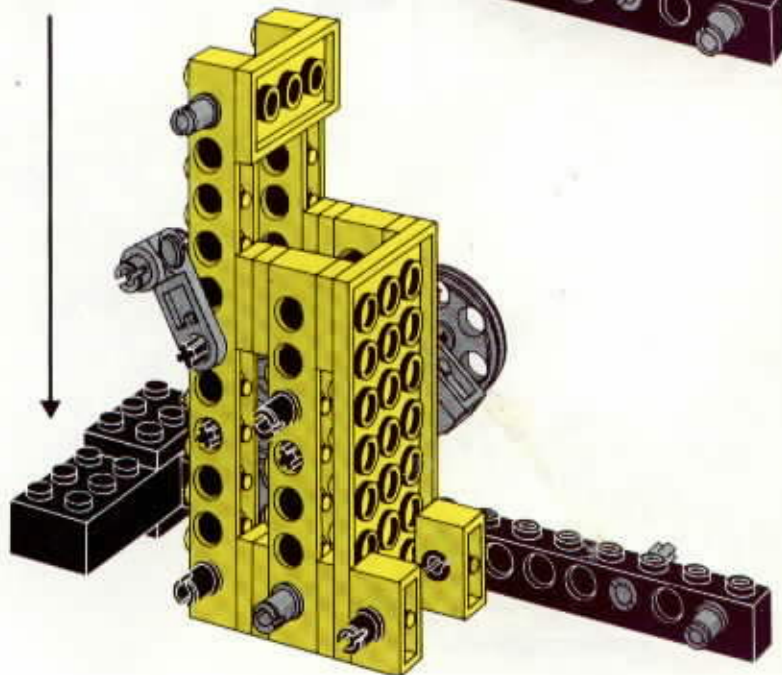
7

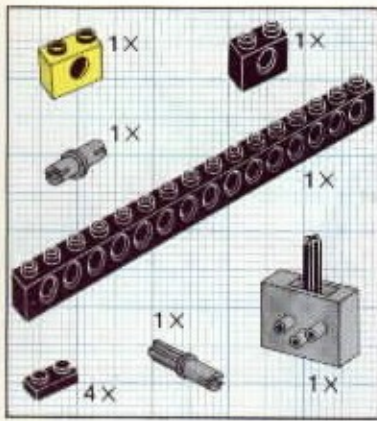


8

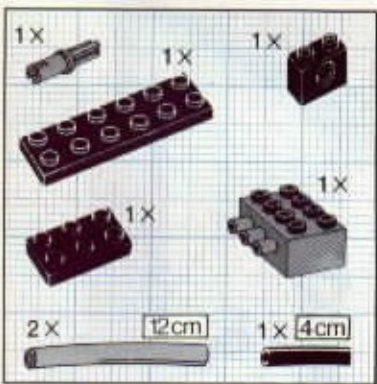
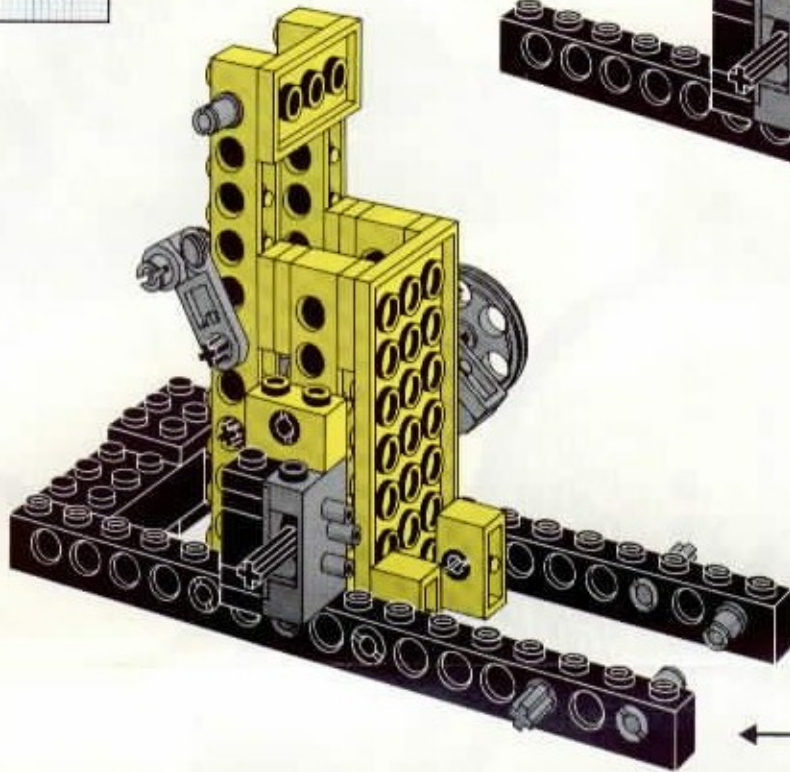
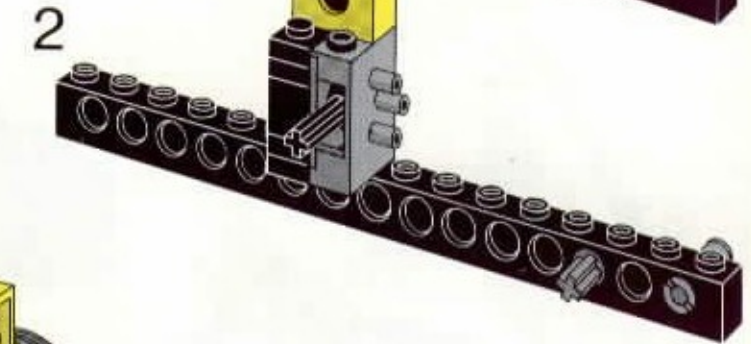
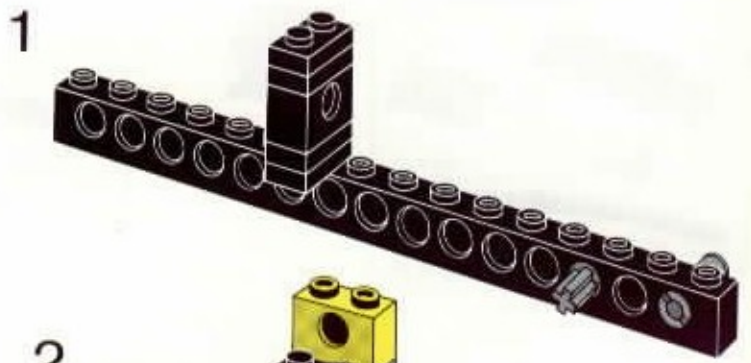


9

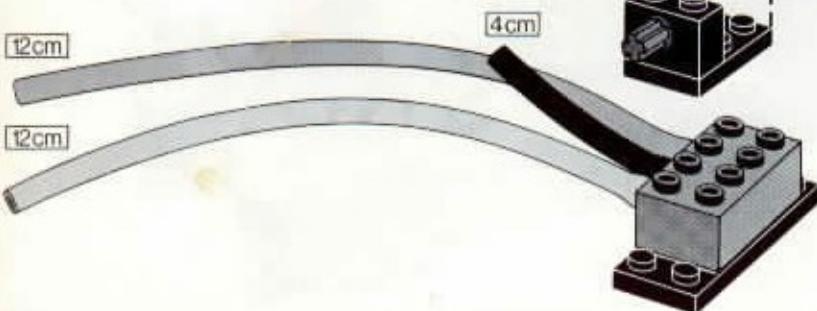
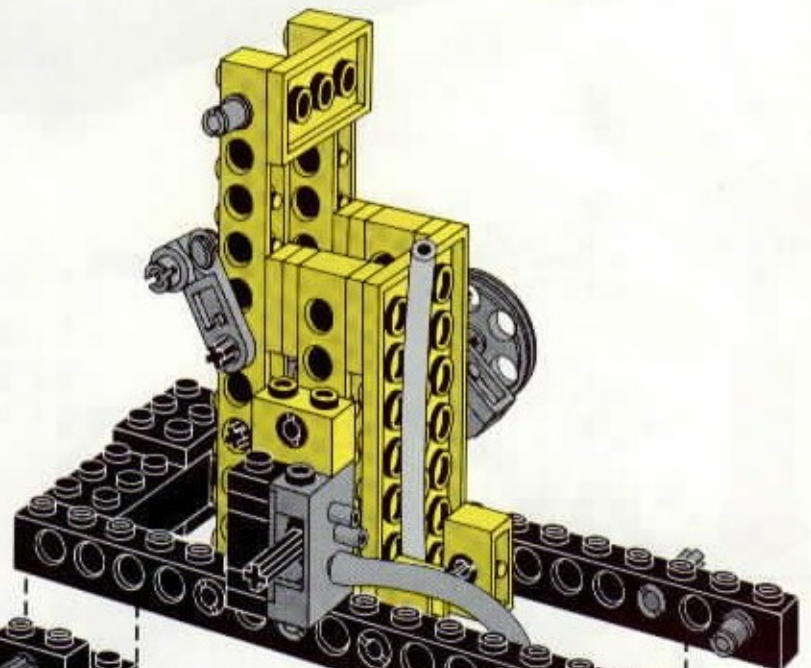


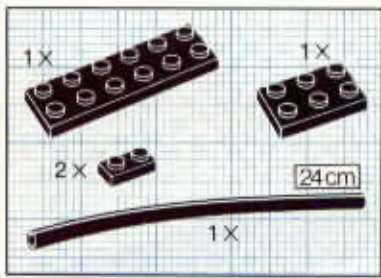


10

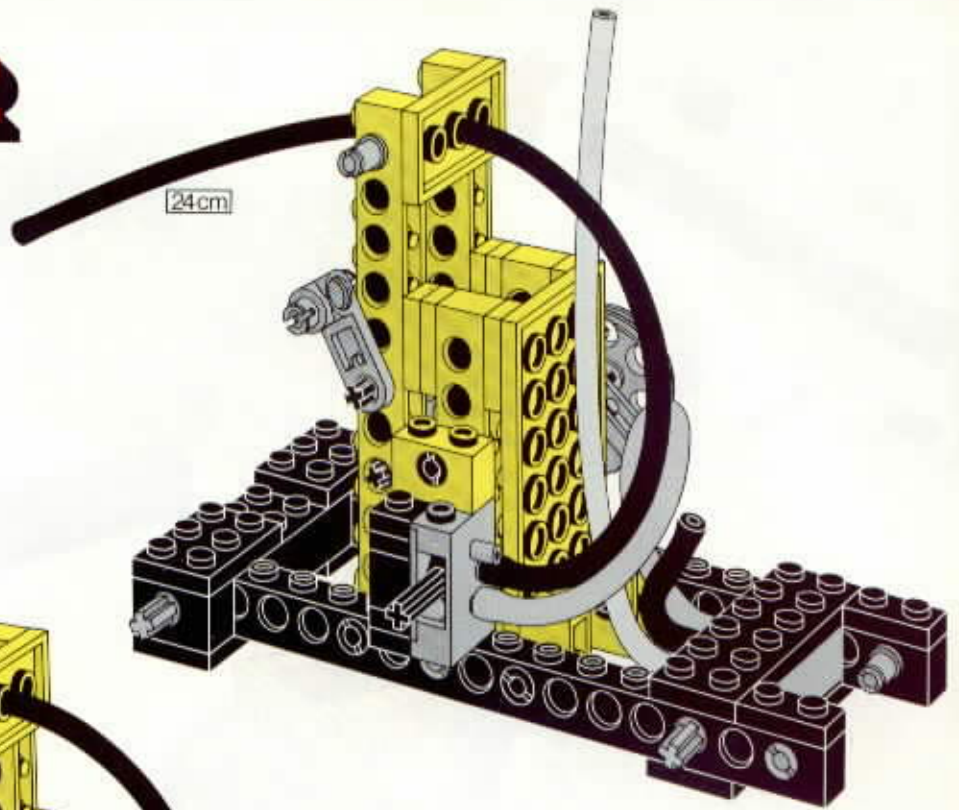


11

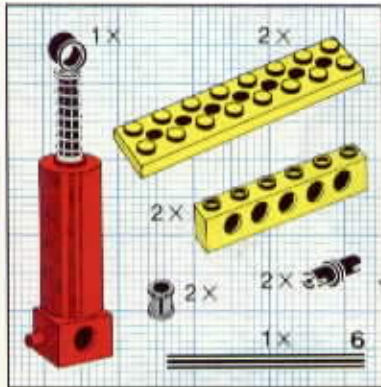
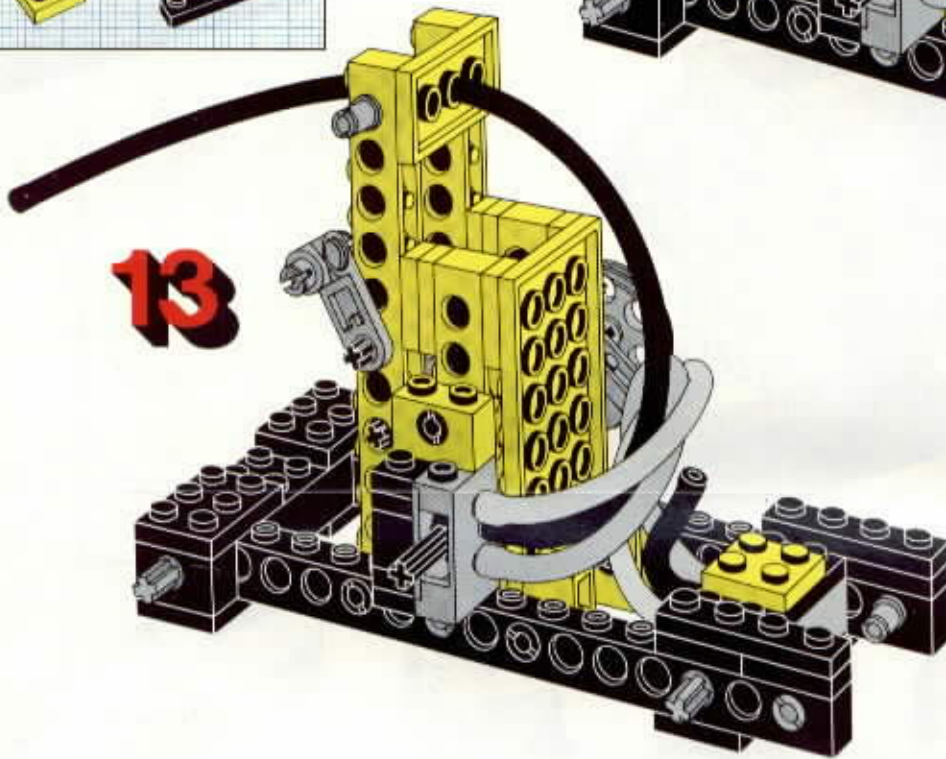




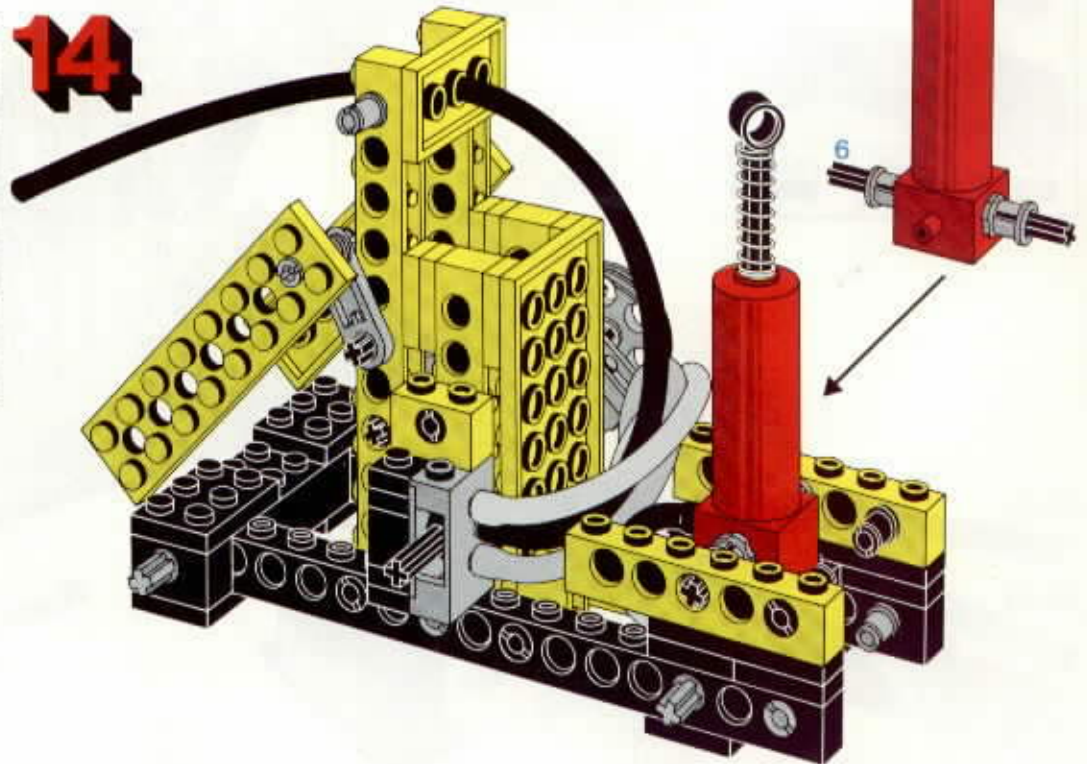
12

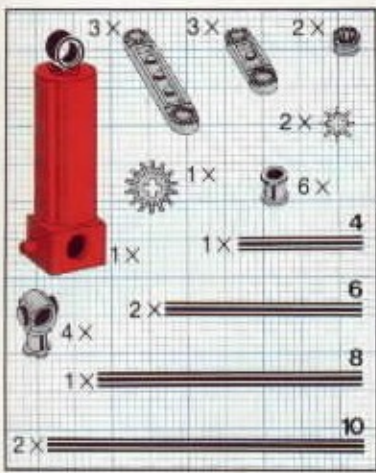


13

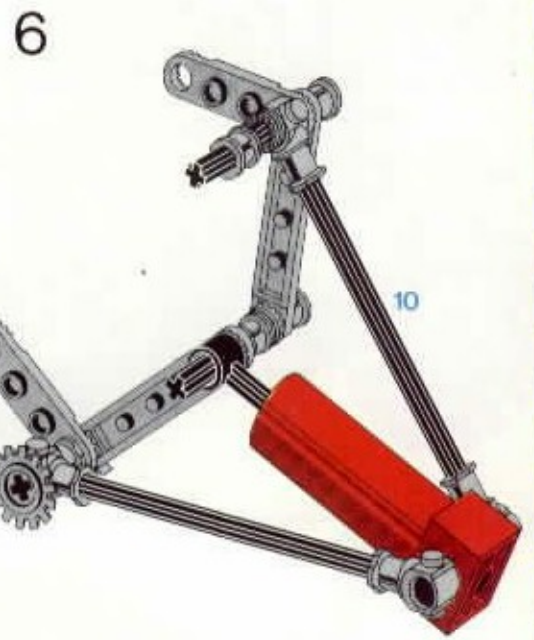
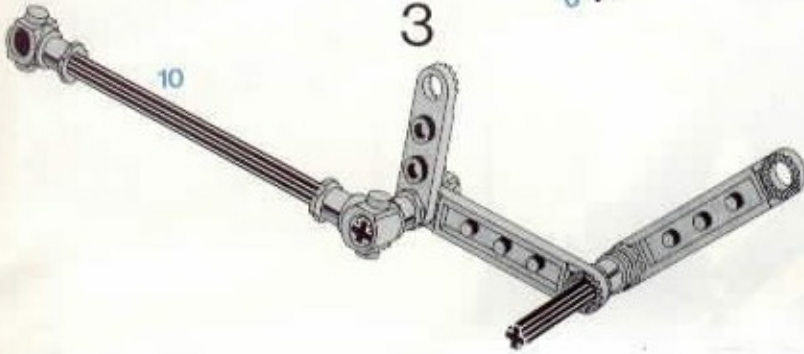
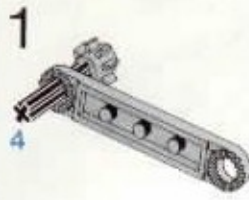


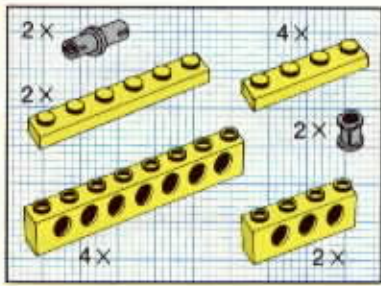
14



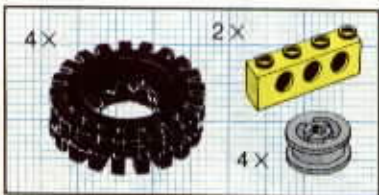
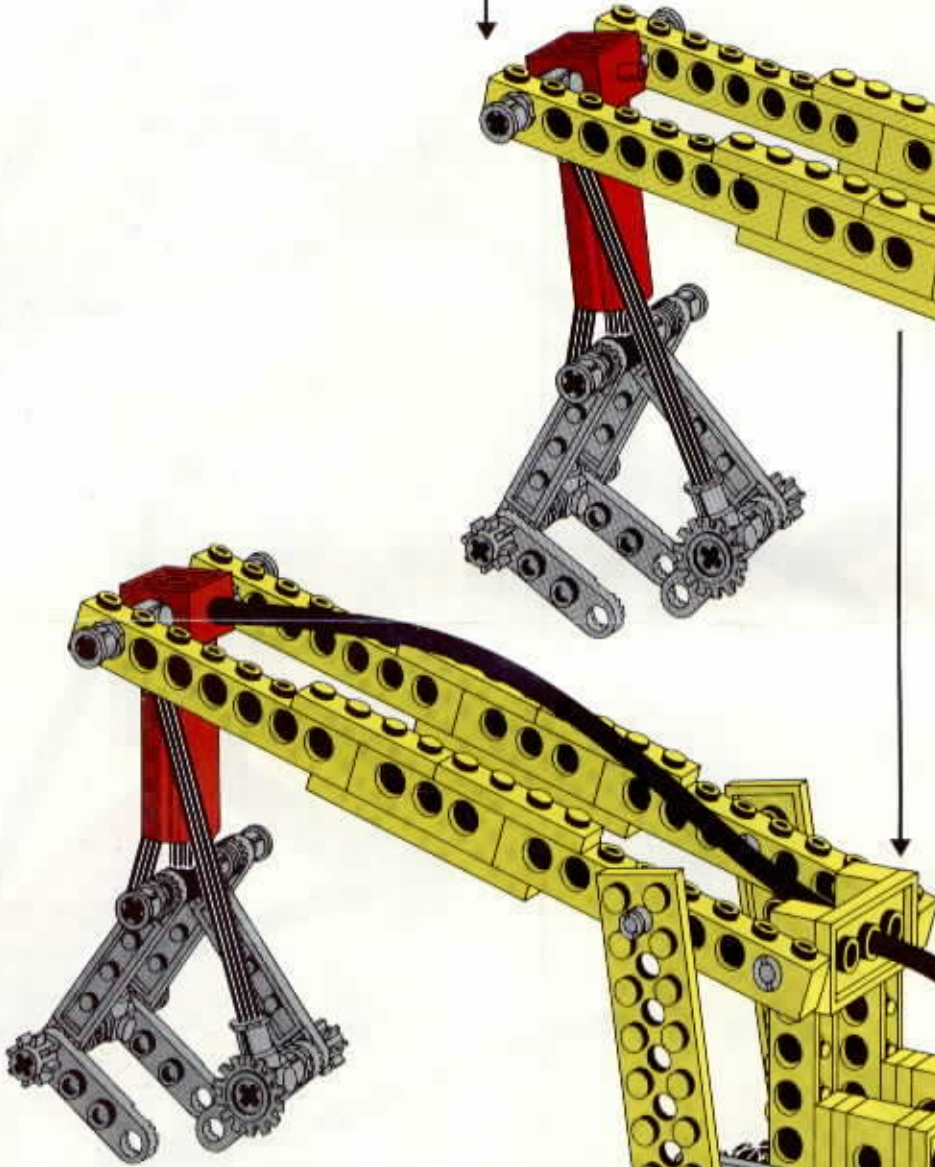
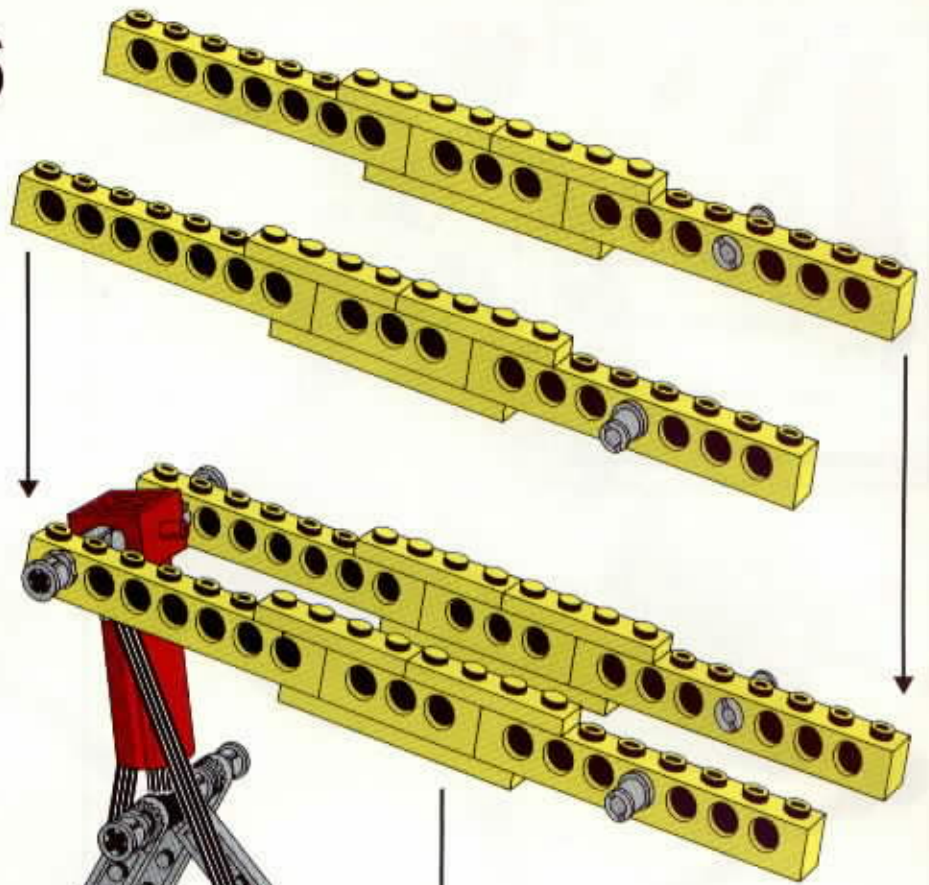


15

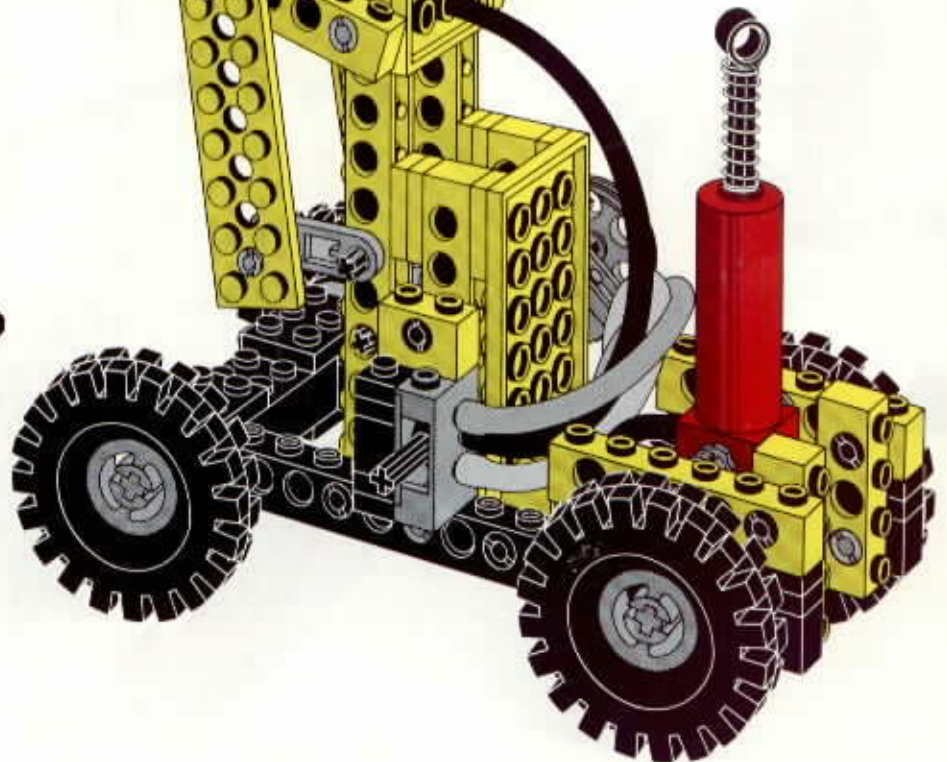




16



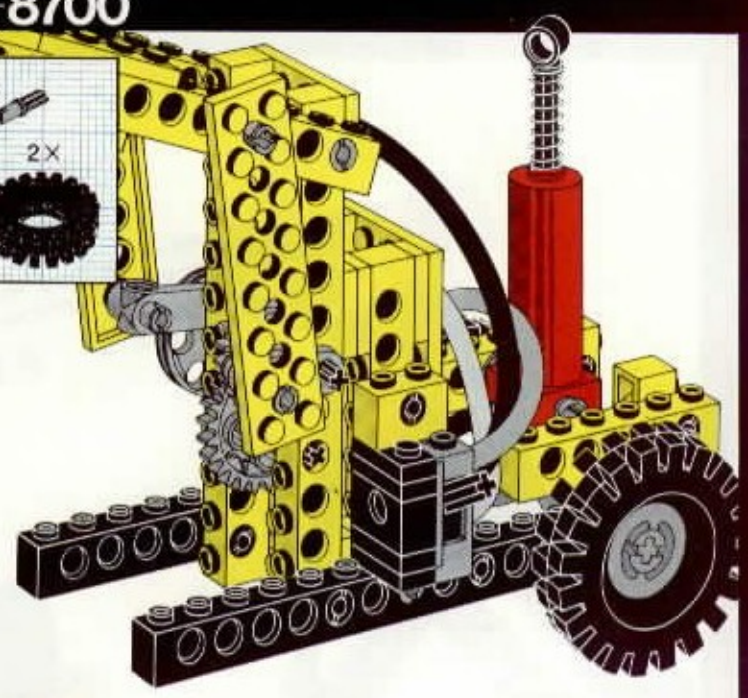
17





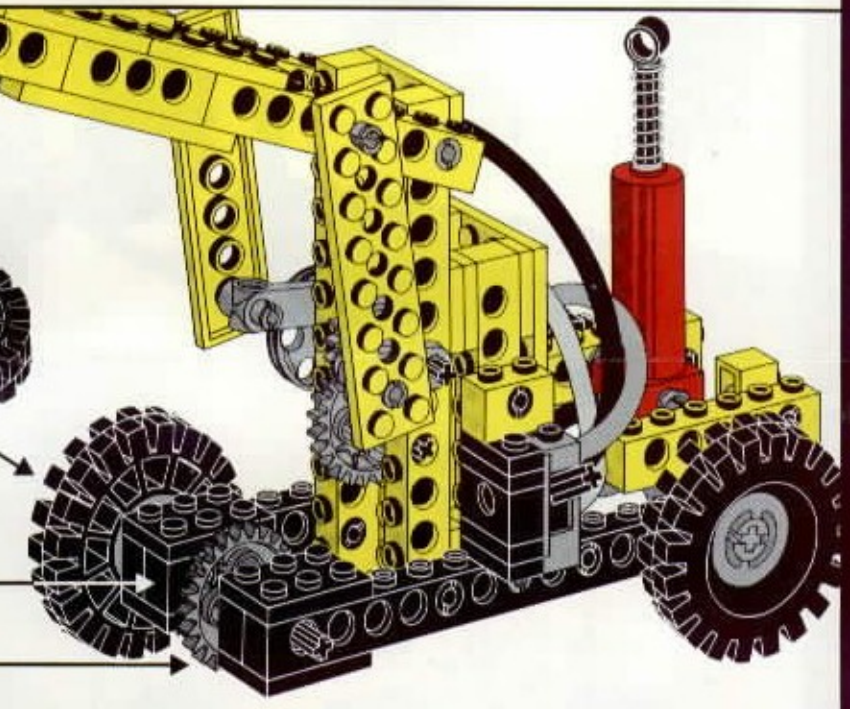
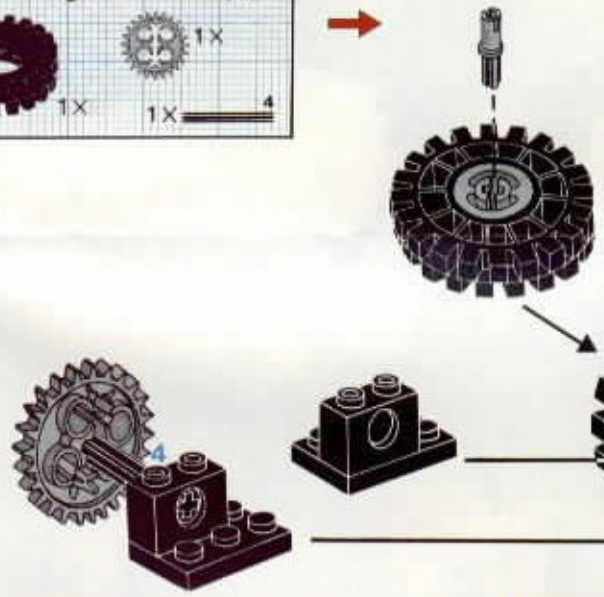
- | | | |
|----|----|----|
| 1x | 2x | 2x |
| 4x | 2x | 2x |

1



- | | | | |
|----|----|----|----|
| 4x | 2x | 1x | 1x |
| 1x | 1x | 1x | 1x |

2



- | | |
|----|----|
| 2x | 2x |
| 4x | 2x |
| 2x | 1x |
| 1x | 2x |

3

