



# G21 6x2 MISSILE LAUNCHER VEHICLE



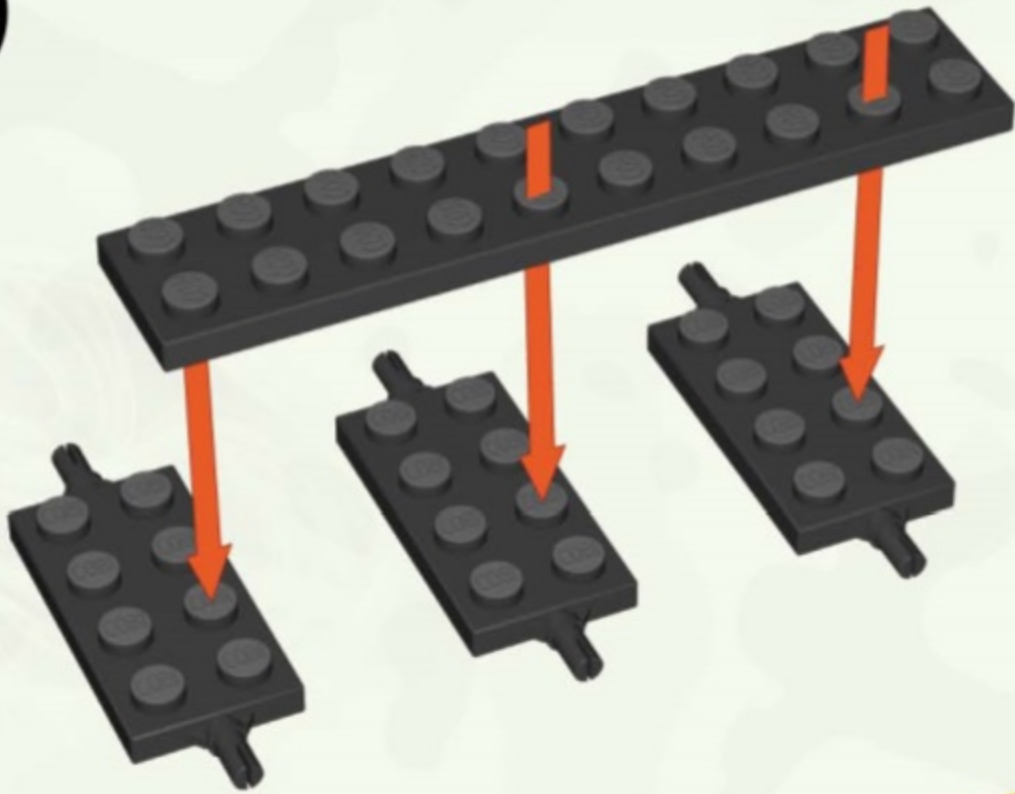
Printed in EU



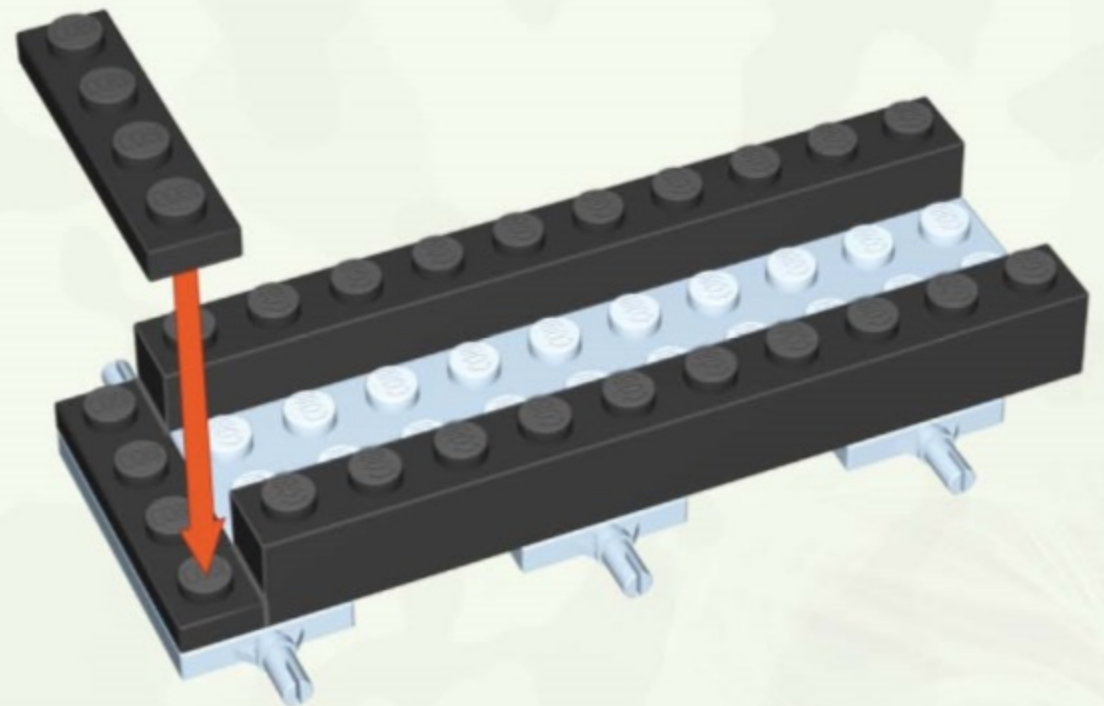
**WARNING: CHOKING HAZARD.**  
Toy contains small parts.  
Not for children under 3 years.



1



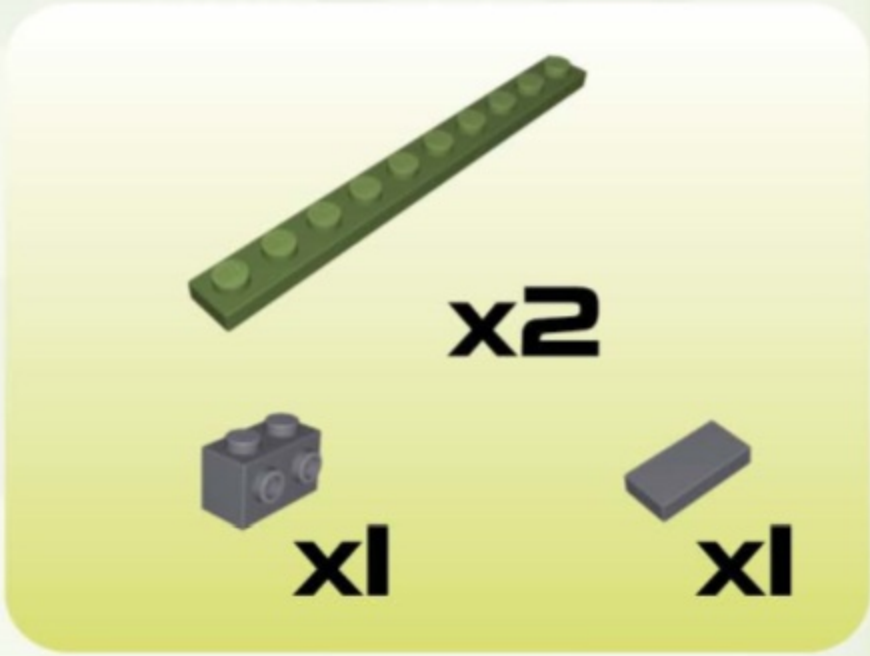
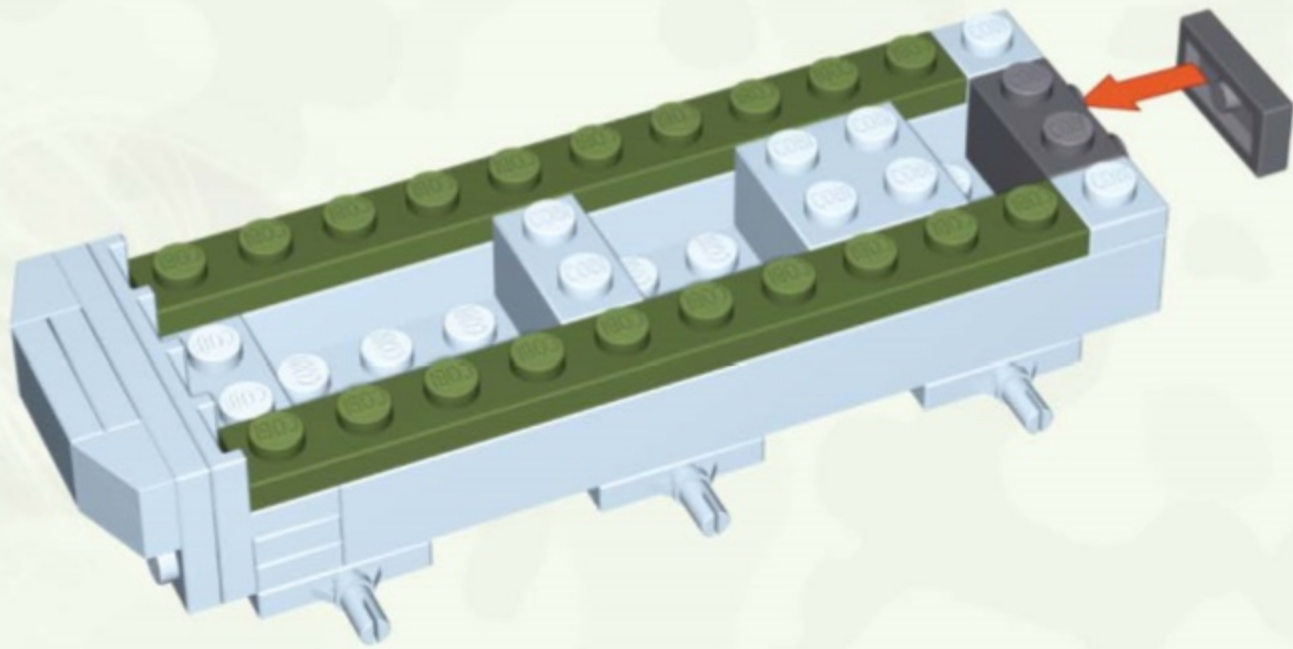
2



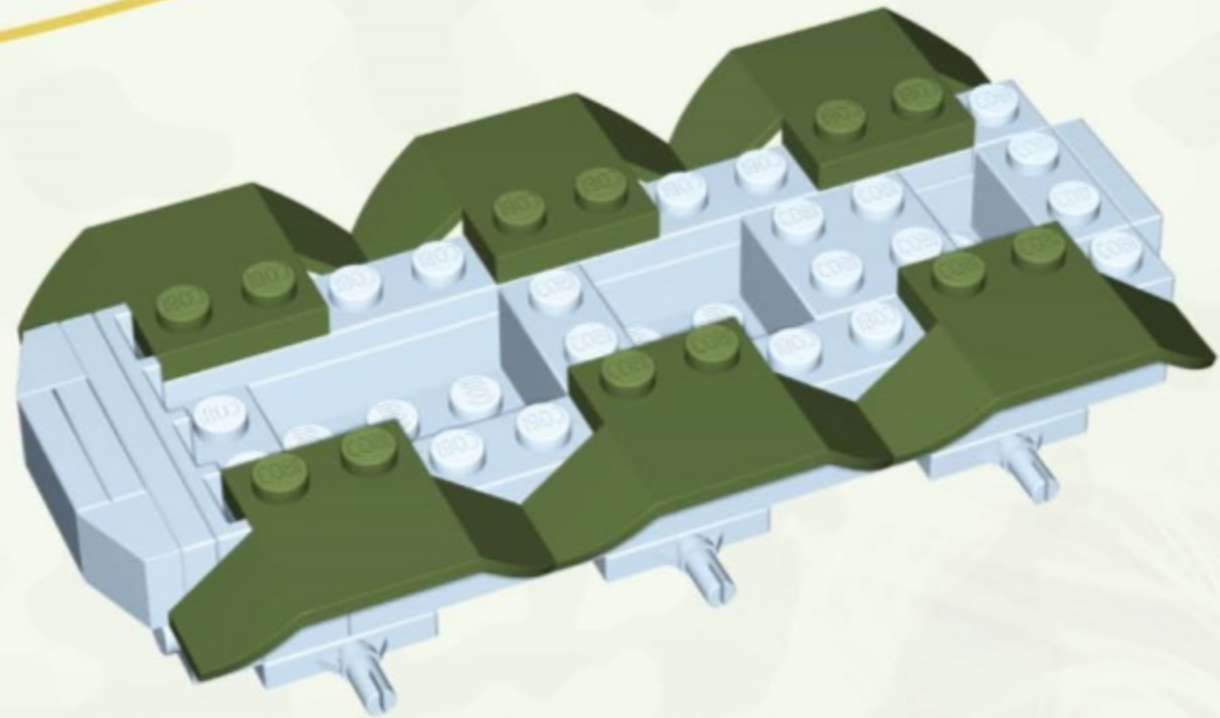




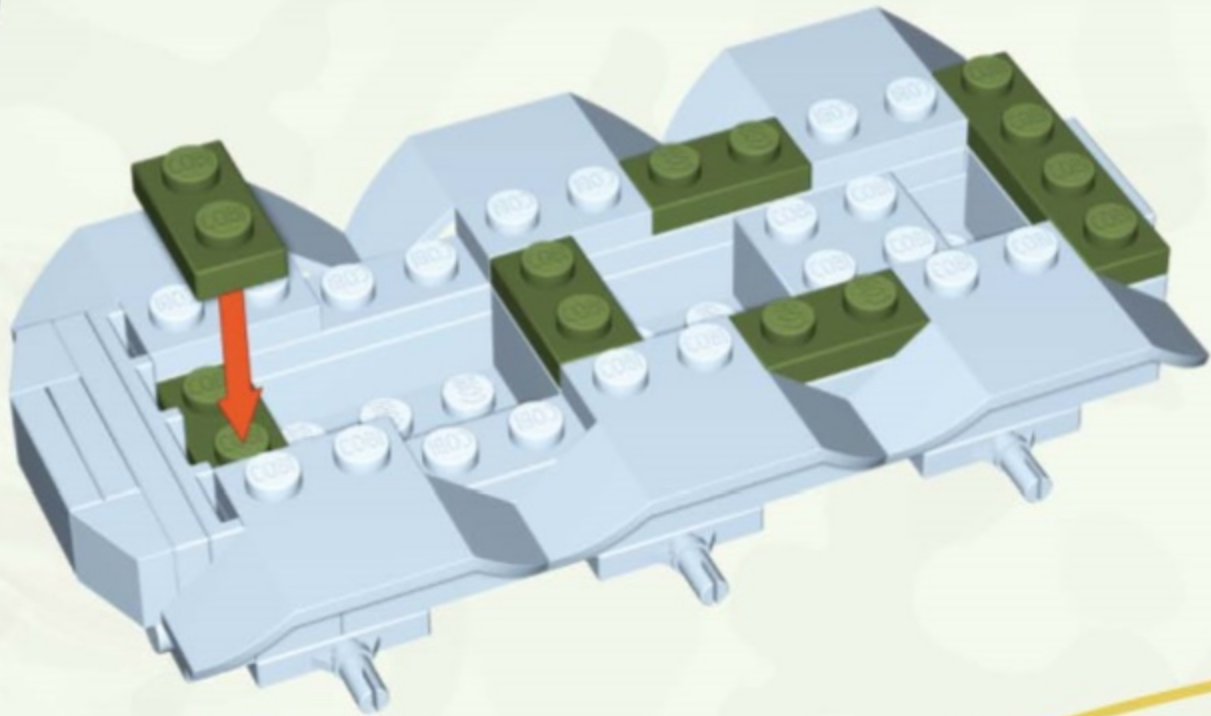
5



6

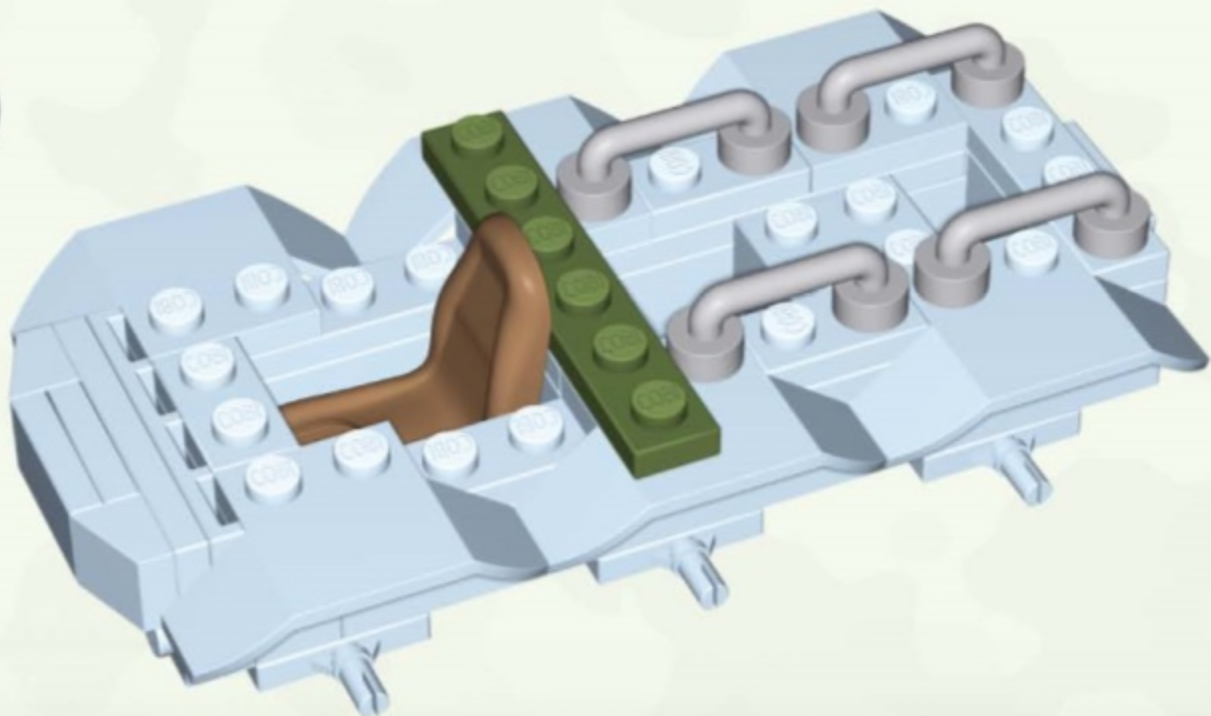


7



x5      x1

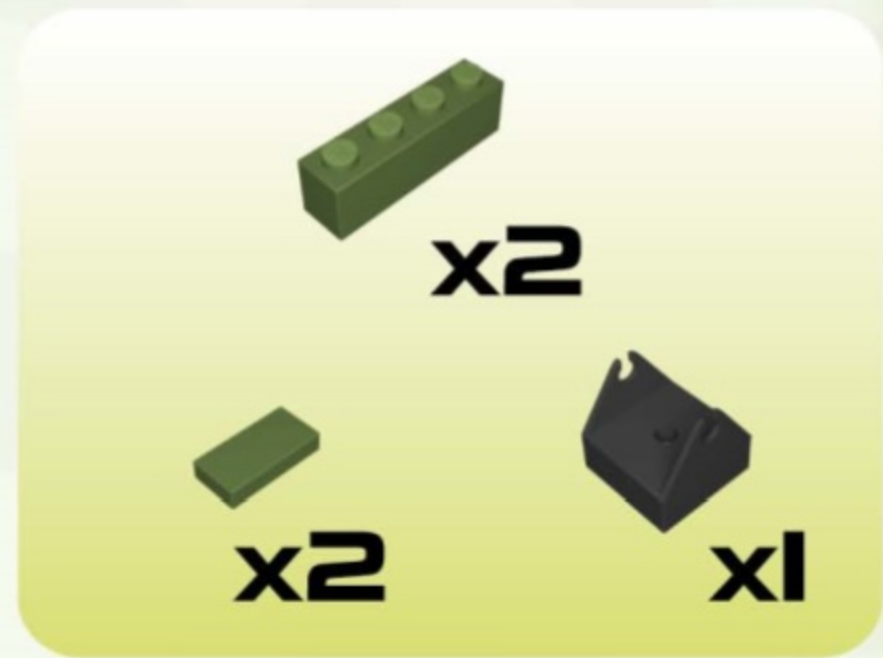
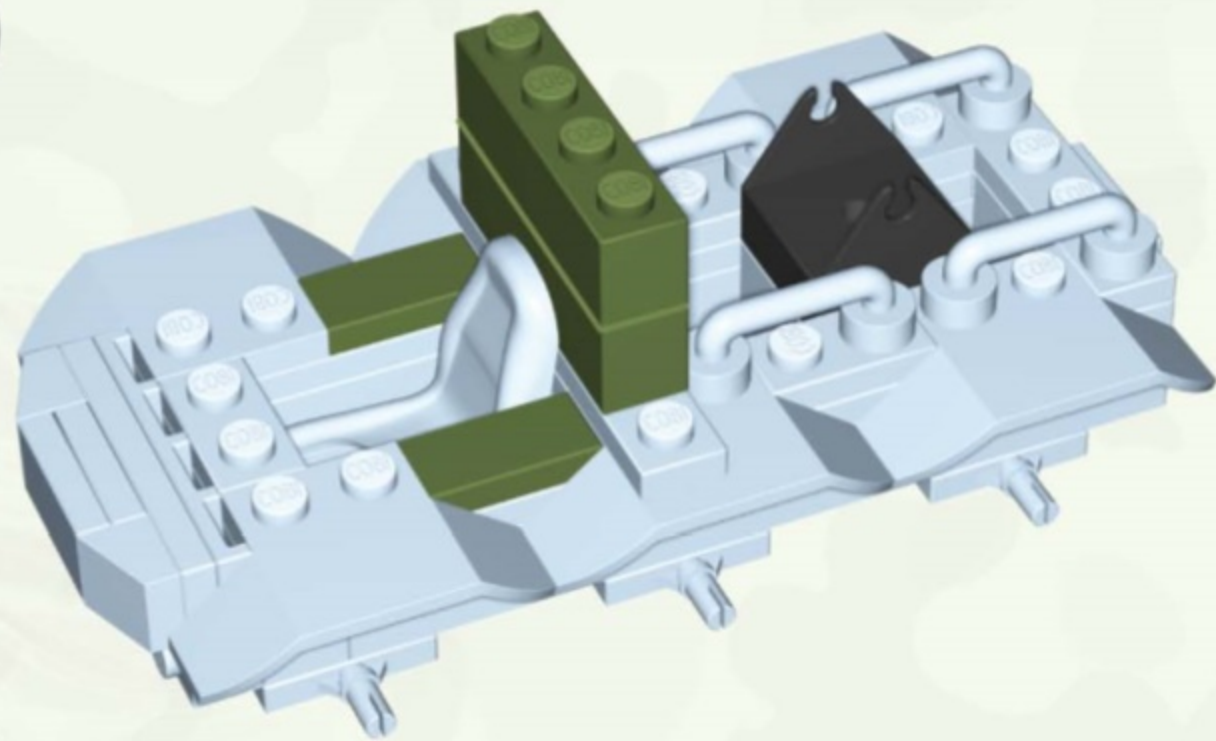
8



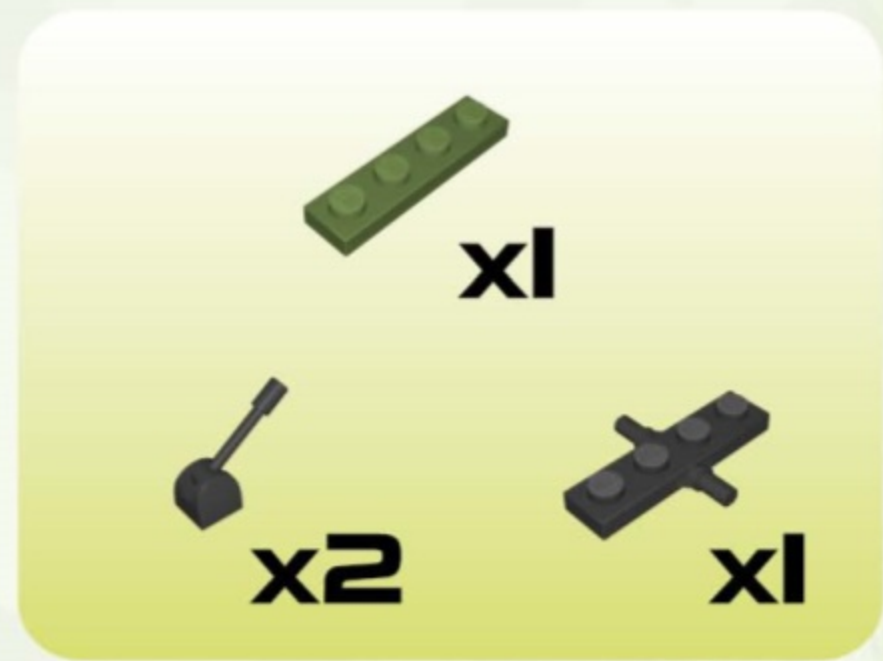
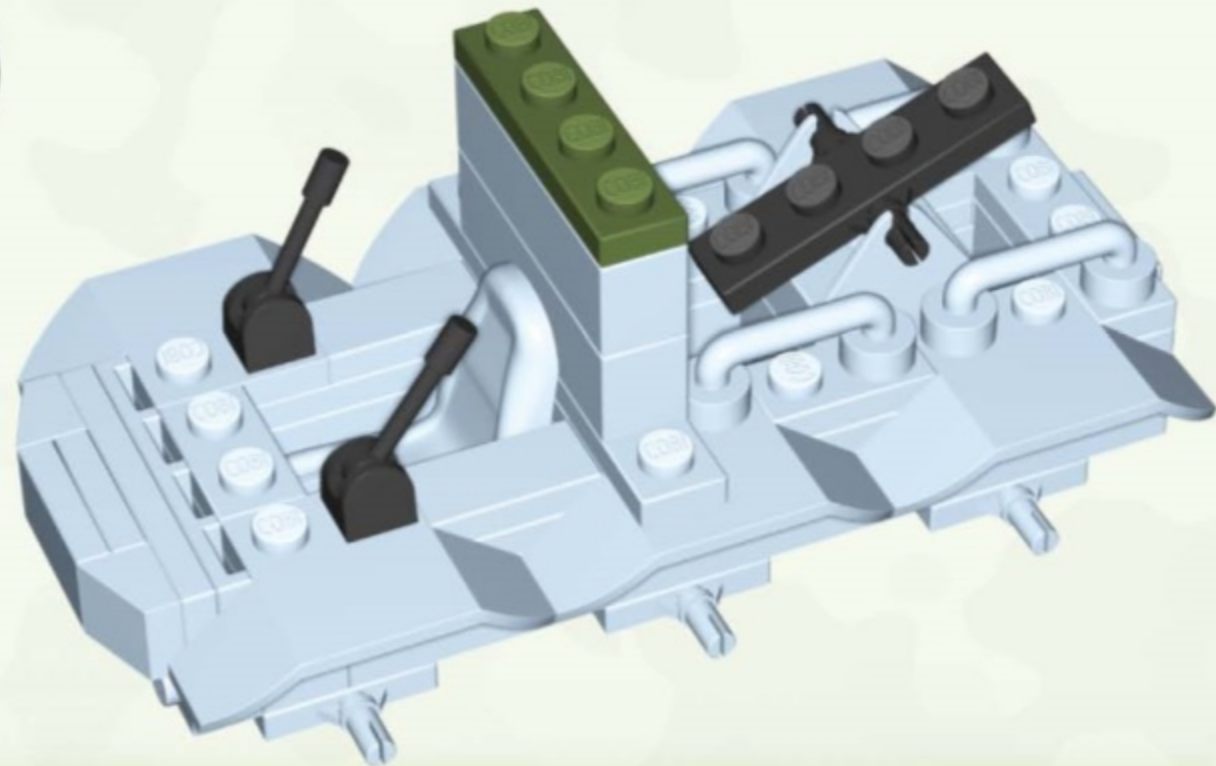
x1      x1      x4



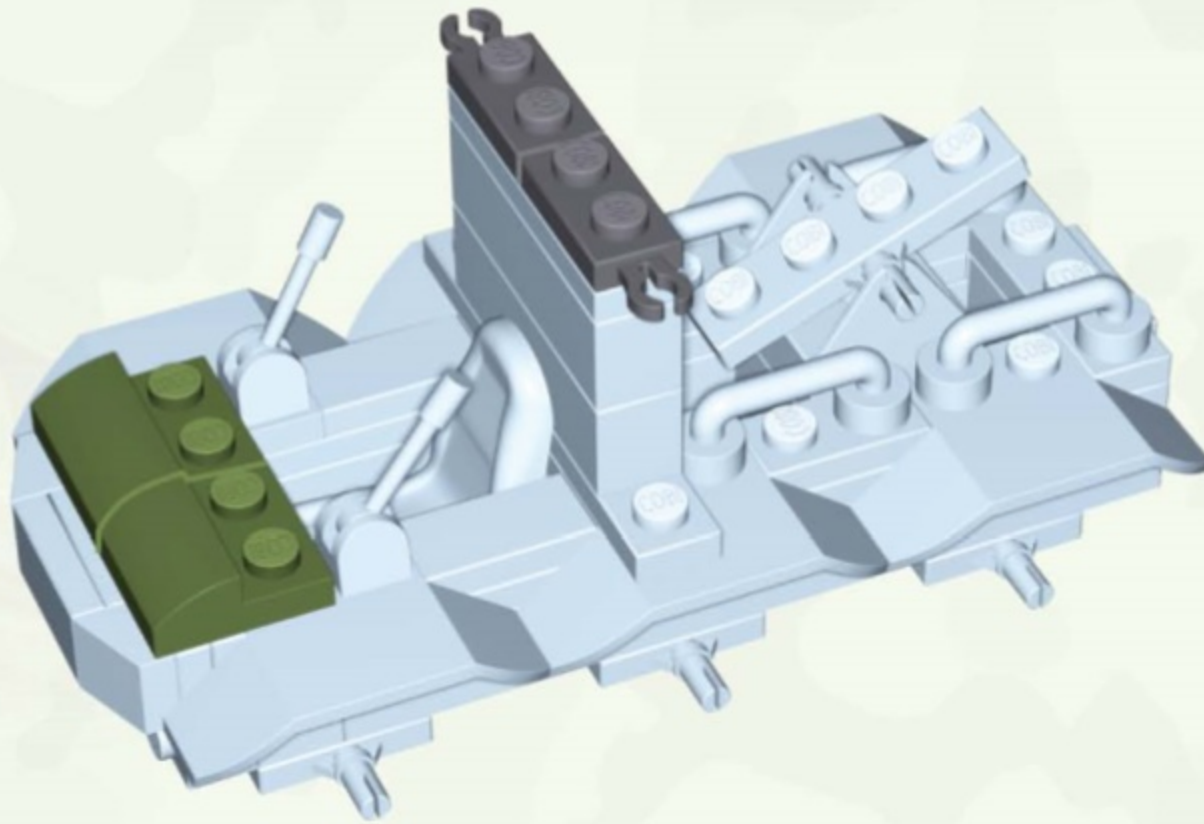
9



10



11



x2



x2

12



x1



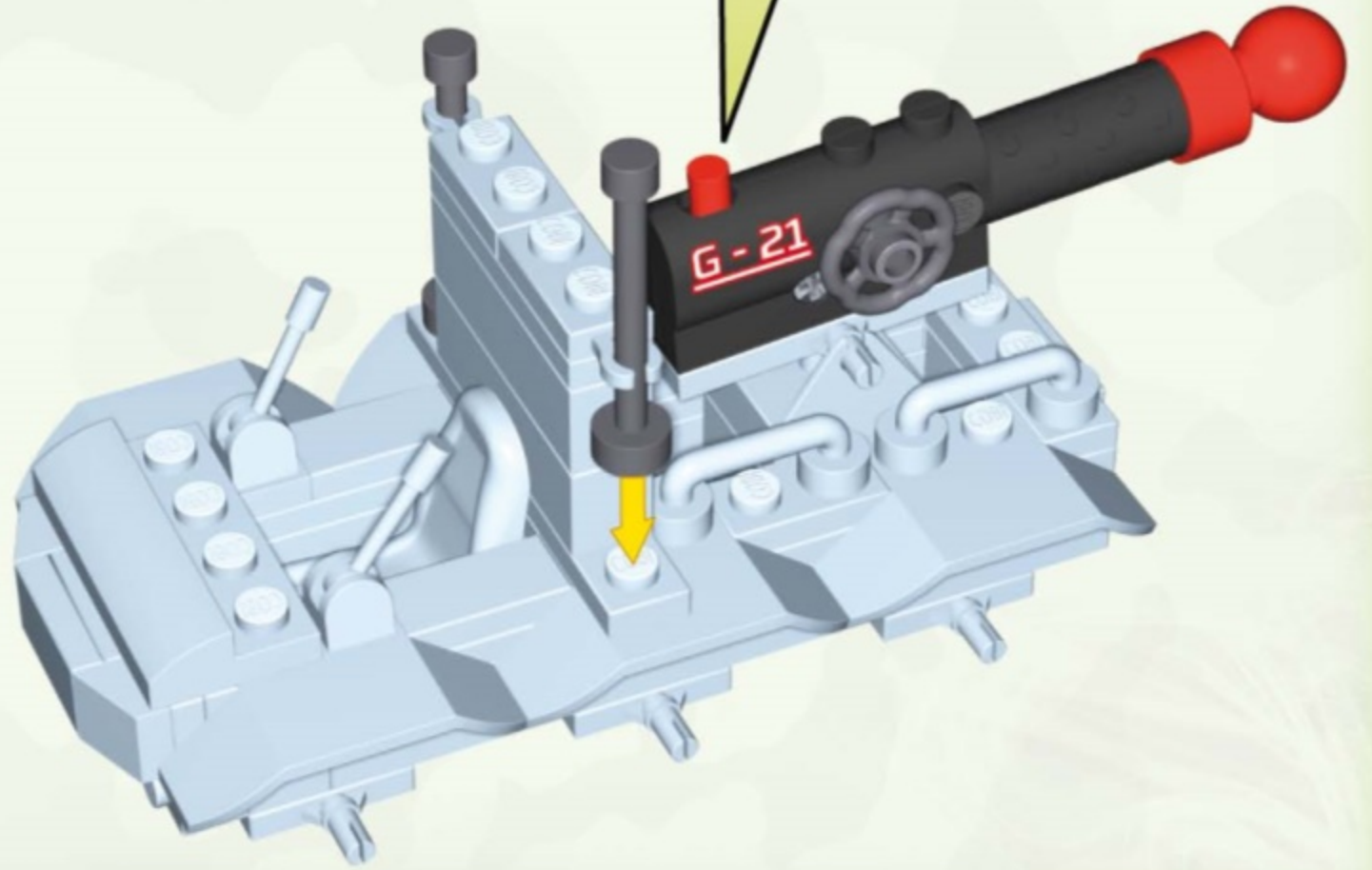
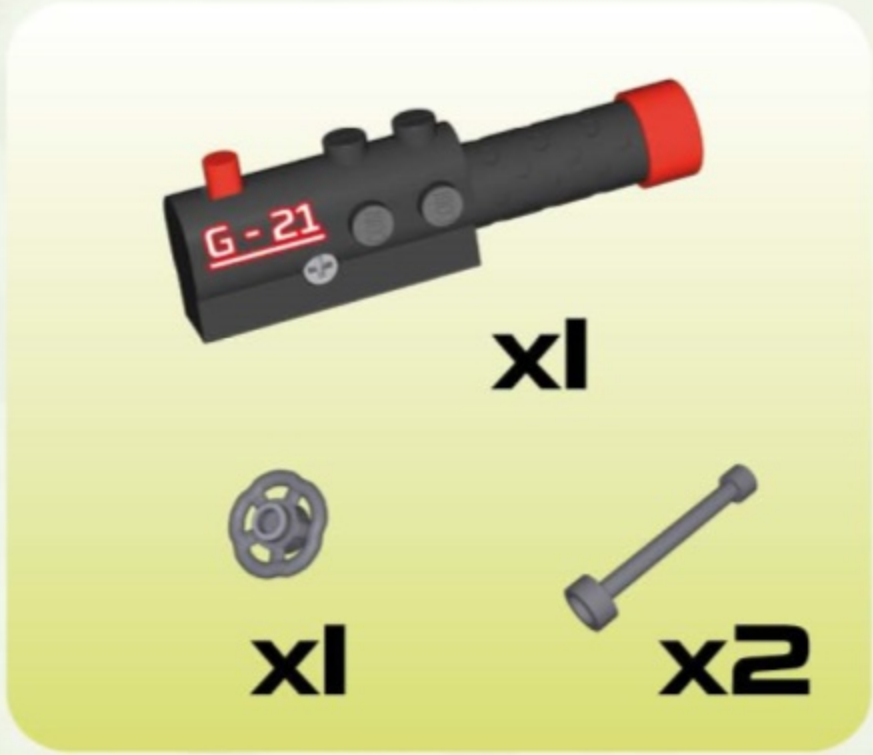
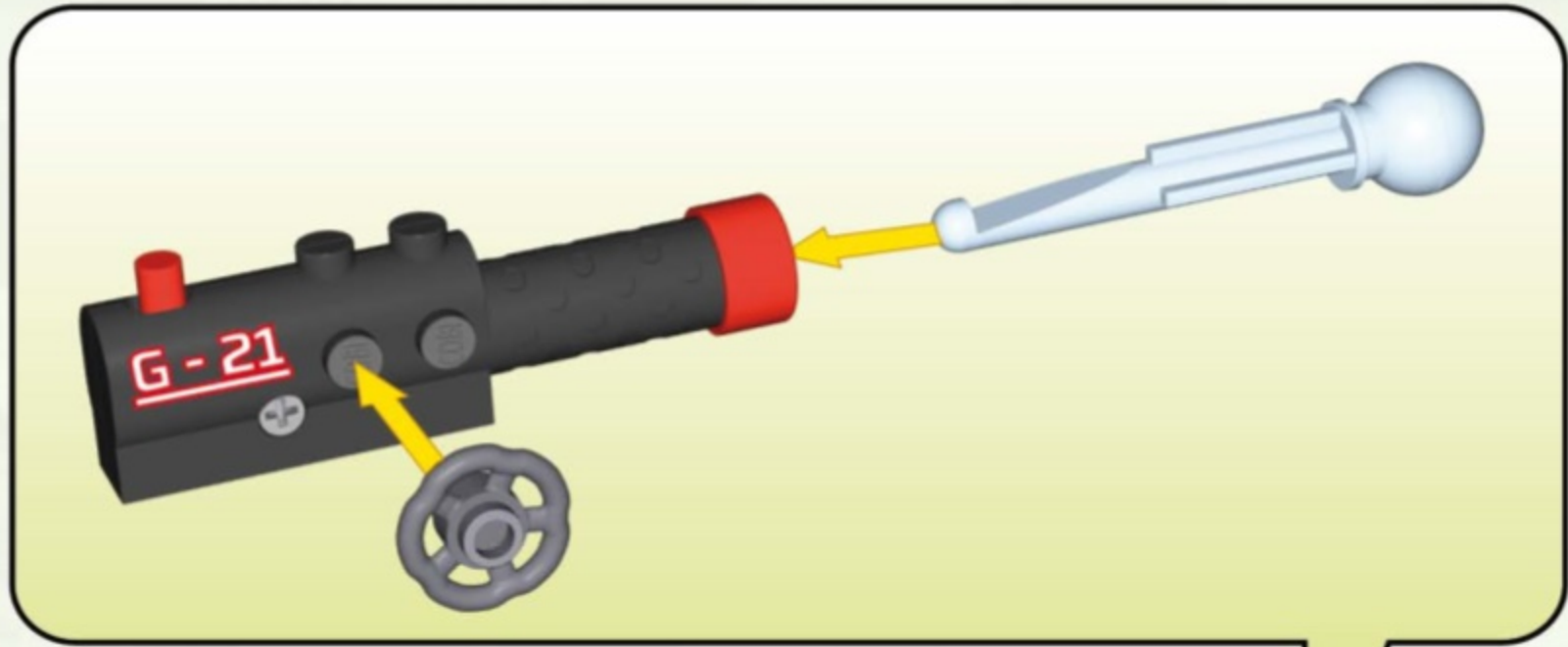
x1



x1

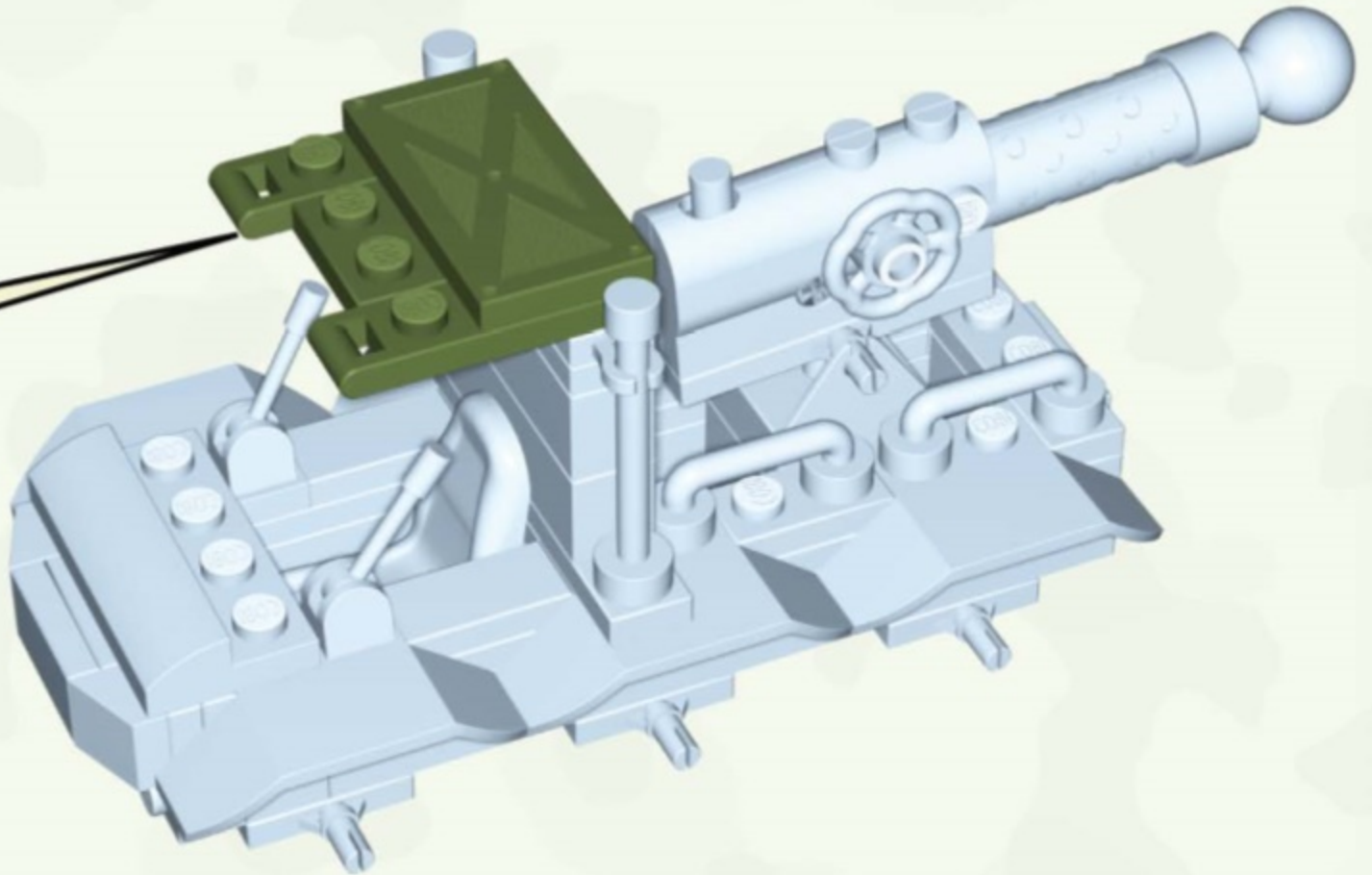
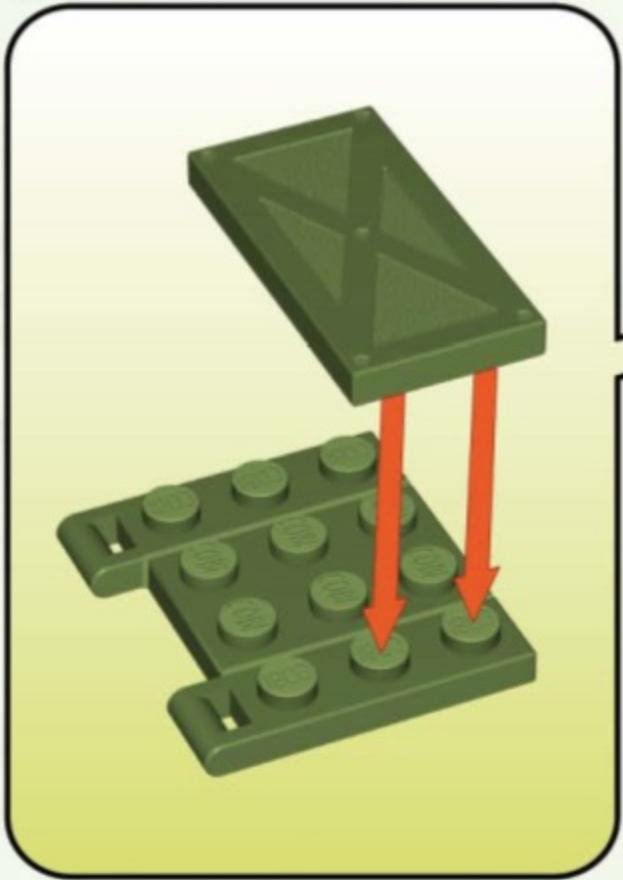


13





14



**x2**

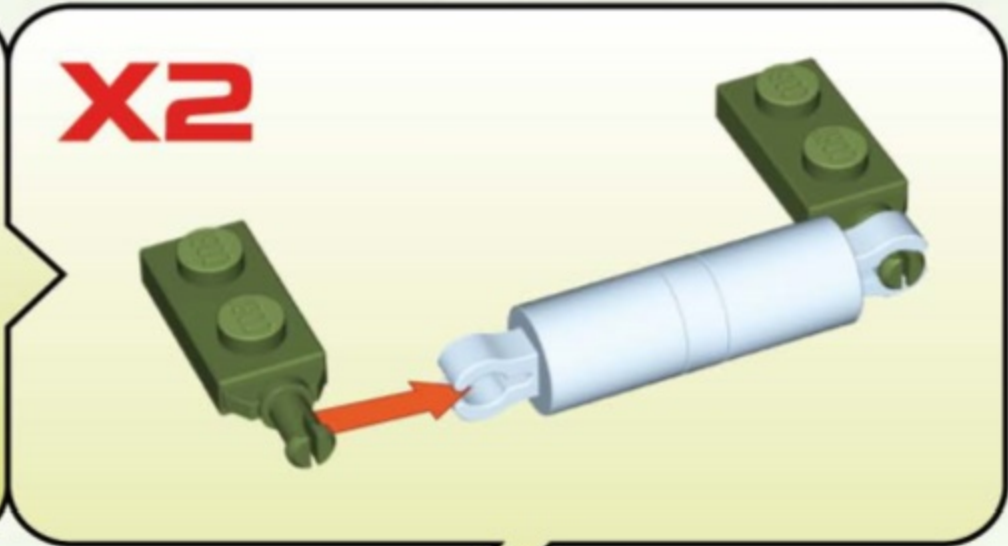
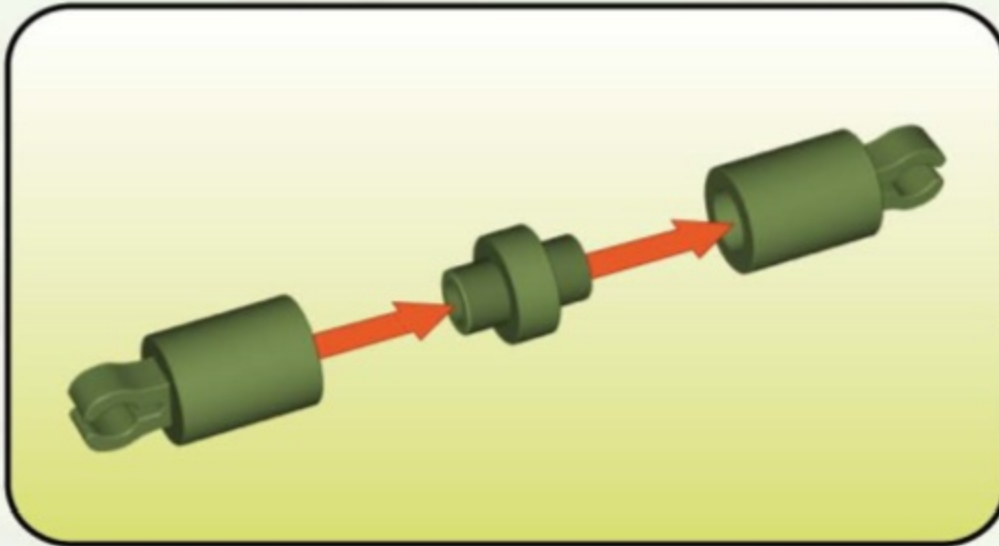





**x1**

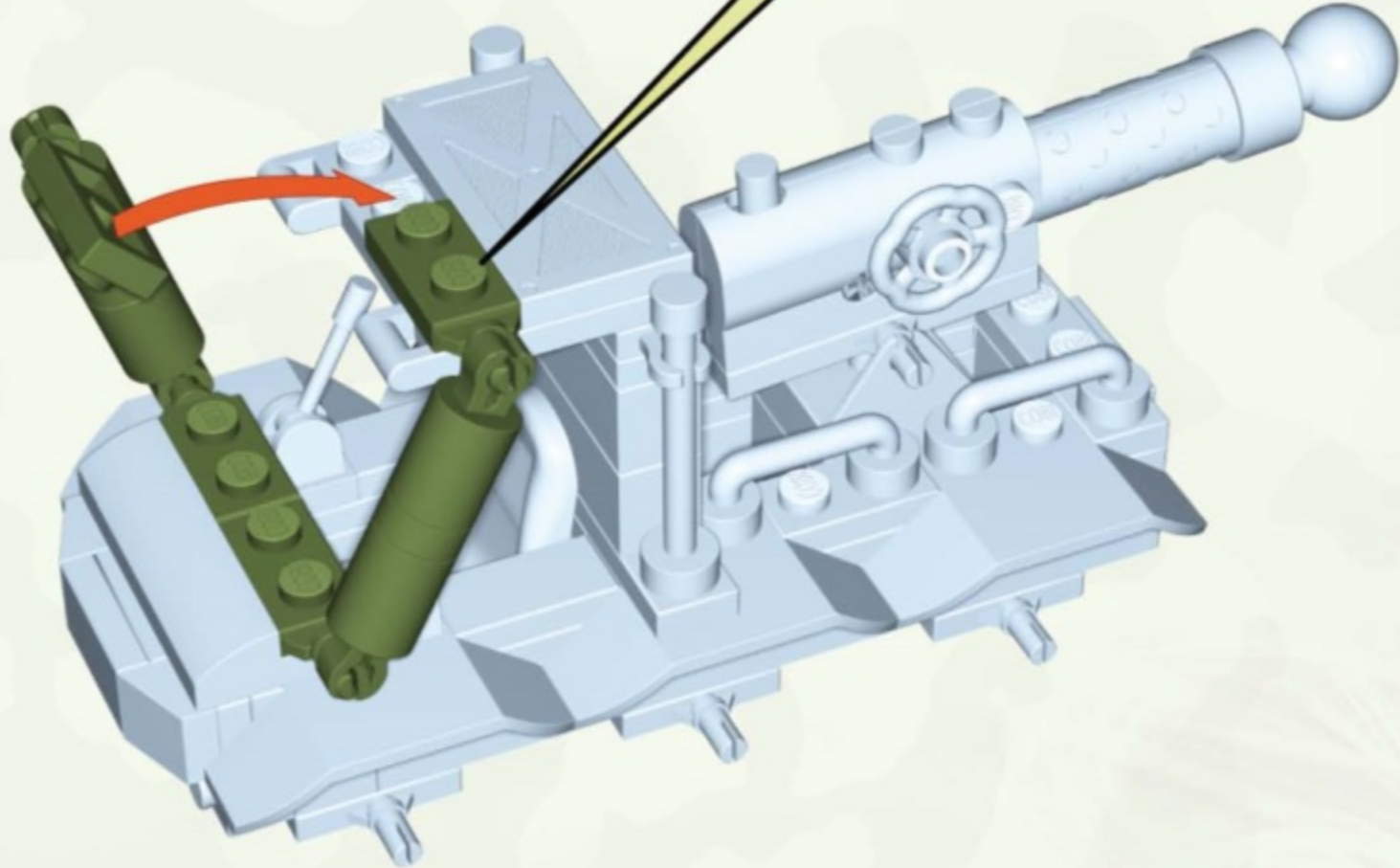


**x1**

15

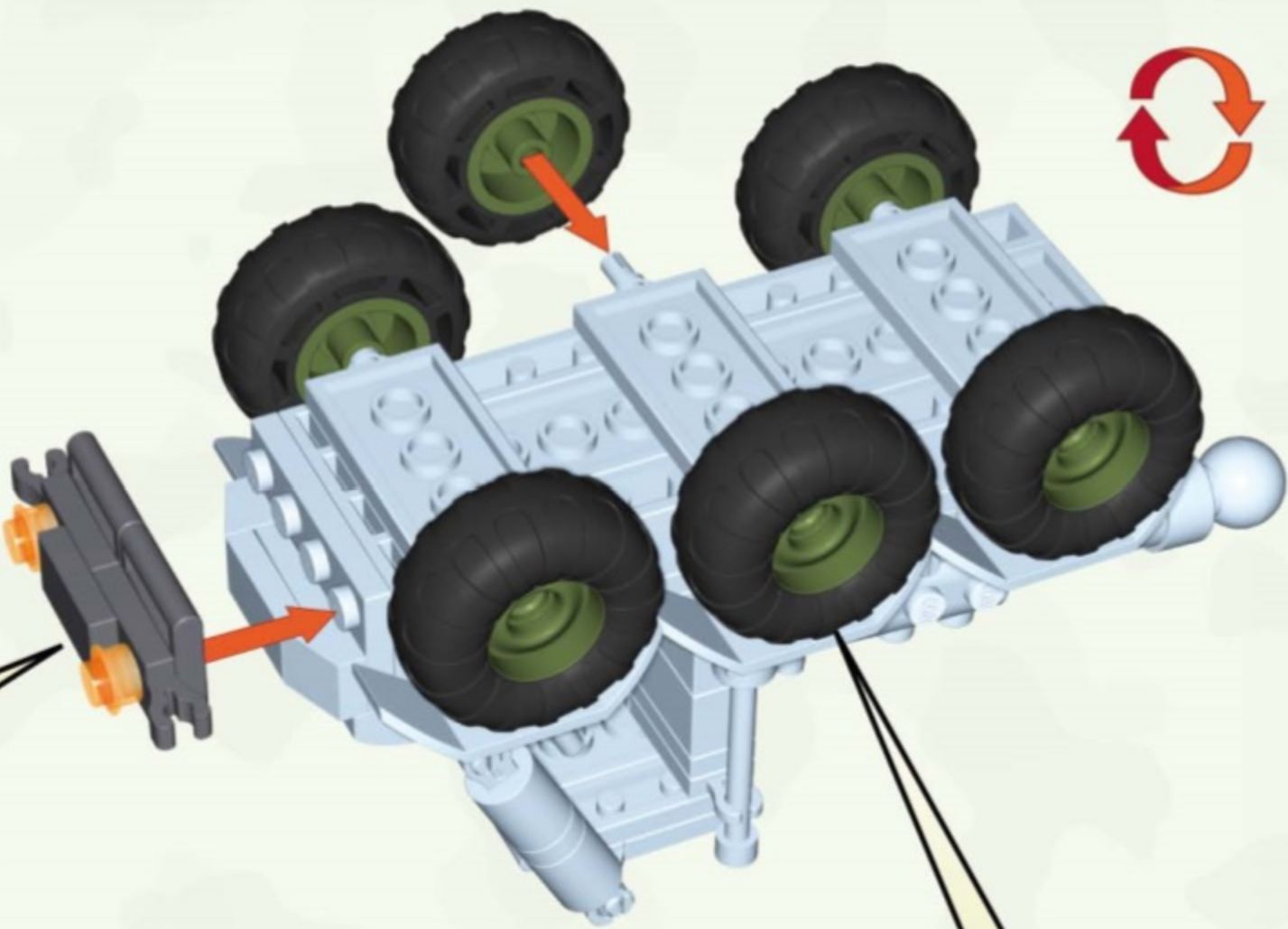
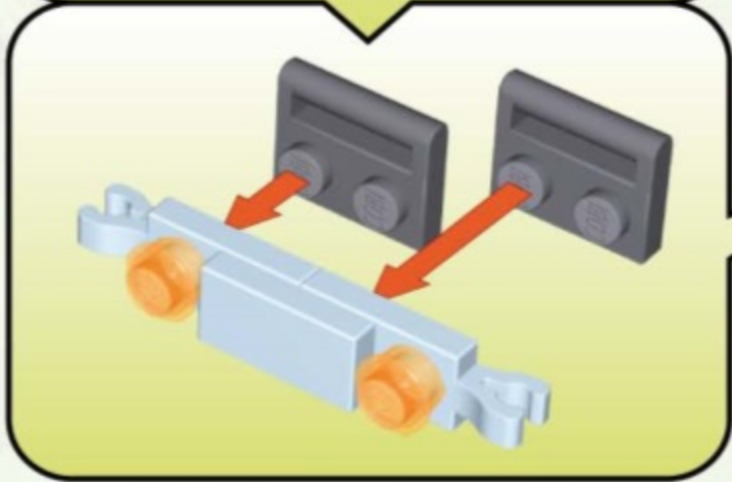
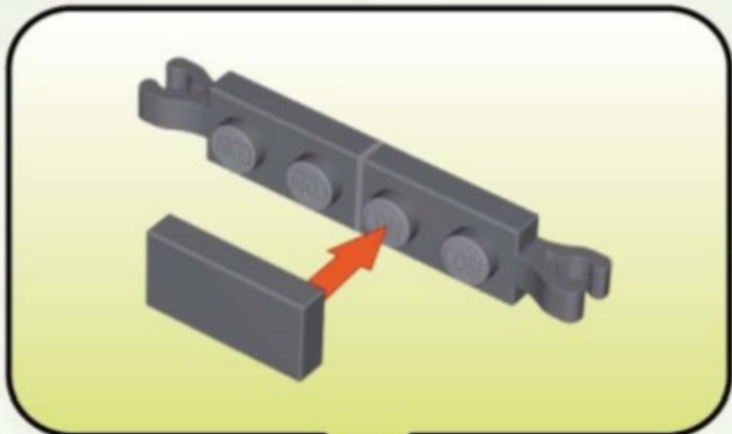








-  **x4**
-  **x2**
-  **x4**





16



-  **x2**
-  **x1**
-  **x2**
-  **x2**
-  **x6**
-  **x6**







**MOBILE MISSILE LAUNCH POST  
2198**



**MOBILE INFANTRY POST  
2197**



**P-4 ARMOURD CAR  
2336**

[WWW.COBI.EU](http://WWW.COBI.EU)

01-02196-93