



# TECHNIC

42166



LEGO® Builder



[LEGO.com/sustainable-packaging](https://LEGO.com/sustainable-packaging)



 <sup>FR</sup> **DONNEZ**  
OU  
**RECYCLEZ**

 OU  OU 

ASSOCIATION    MAGASIN    DÉCHÈTERIE

Adresses sur [quefairedemesdechets.fr](https://quefairedemesdechets.fr)



Q LEGO® Builder

# BUILDER

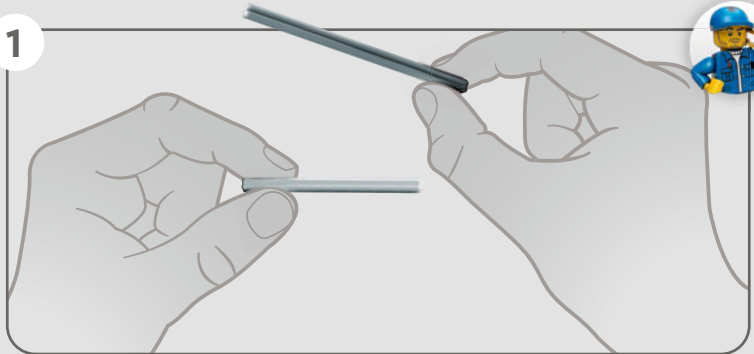


Apple and the Apple logo are trademarks of Apple Inc., registered in the U.S. and other countries and regions. App Store is a service mark of Apple Inc. Google Play and the Google Play logo are trademarks of Google LLC. Tencent and the Tencent logo are trademarks of Tencent Inc.

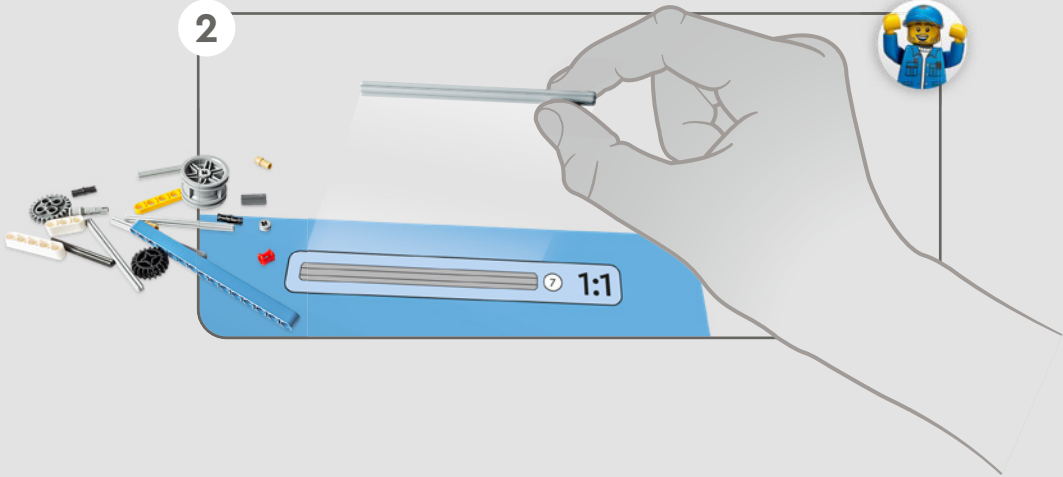
Q [LEGO.com/devicecheck](https://lego.com/devicecheck)

**EN** Ask parents' permission before going online | **DE** Eltern um Erlaubnis bitten, bevor du online gehst | **FR** Demande l'autorisation d'un parent avant d'aller en ligne | **IT** Chiedi il permesso ai tuoi genitori prima di andare online | **ES** Pídeles permiso a tus papás antes de conectarte a Internet | **PT** Pede autorização aos pais antes de acederes online | **ZH** 上网前应先征得父母的同意 | **PL** Poproś rodziców o zgodę, zanim wejdziesz do Internetu | **CS** Než půjdeš na internet, požádej rodiče o svolení | **SK** Skôr než pôjdeš na internet, vypýtaj si povolenie od rodičov | **HU** Kérj szülői engedélyt, mielőtt online csatlakoznál! | **RO** Cere permisiunea părinților înainte de a te conecta online | **BG** Поискайте разрешение от родител, преди да влезете онлайн | **LV** Pirms došanās tiešsaistē palūdz atļauju vecākiem | **ET** Enne Interneti kasutamist küsi vanematelt luba | **LT** Prieš prisijungdami prie interneto, atsiklauskite tėvų

1

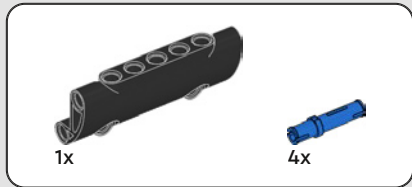


2

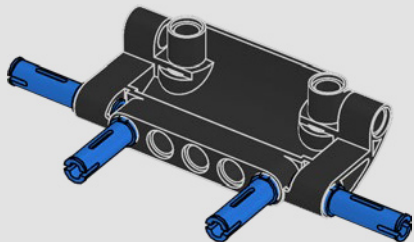




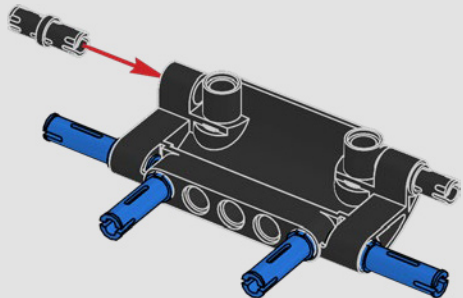




1



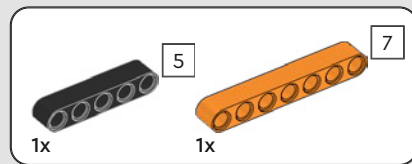
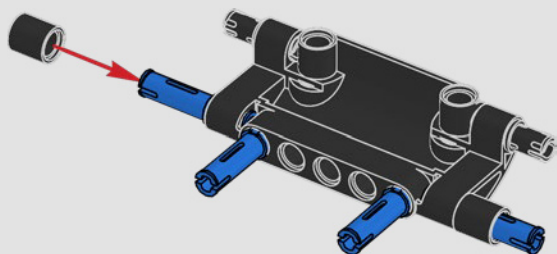
2



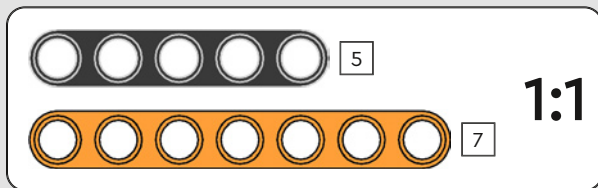
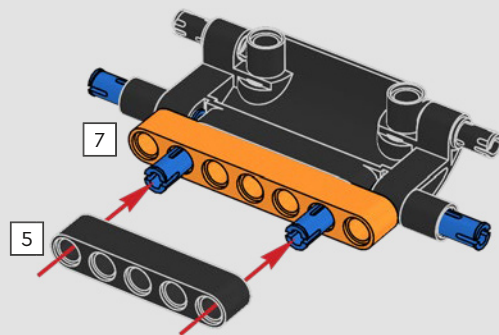


2x

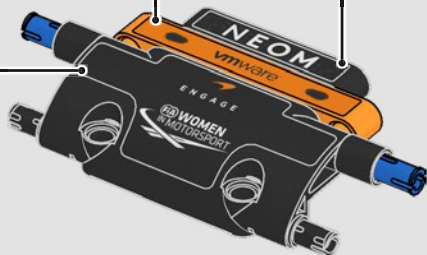
3



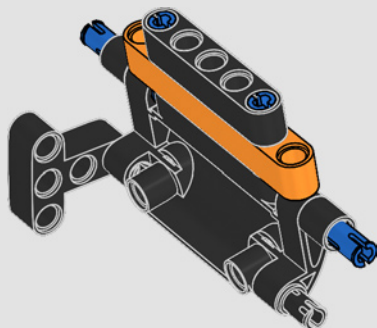
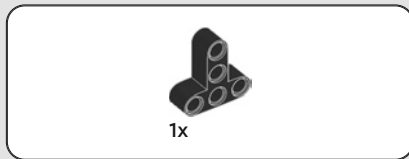
4

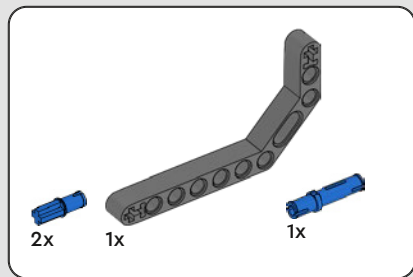


5

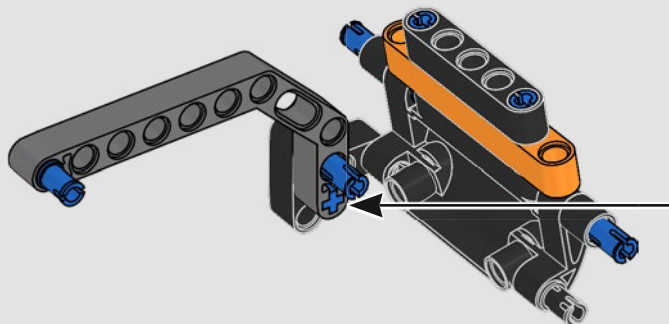
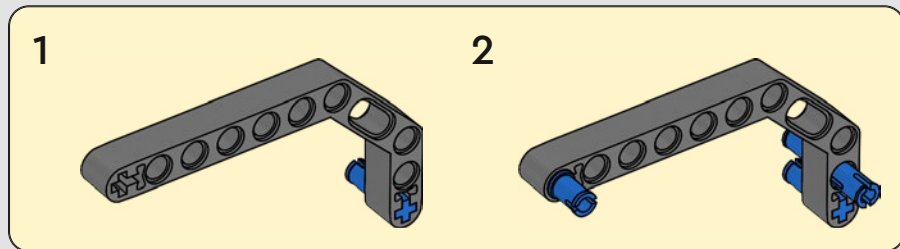


6

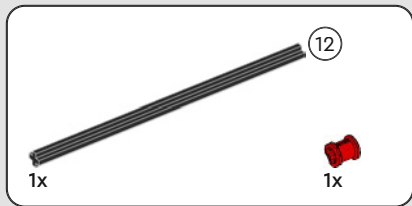




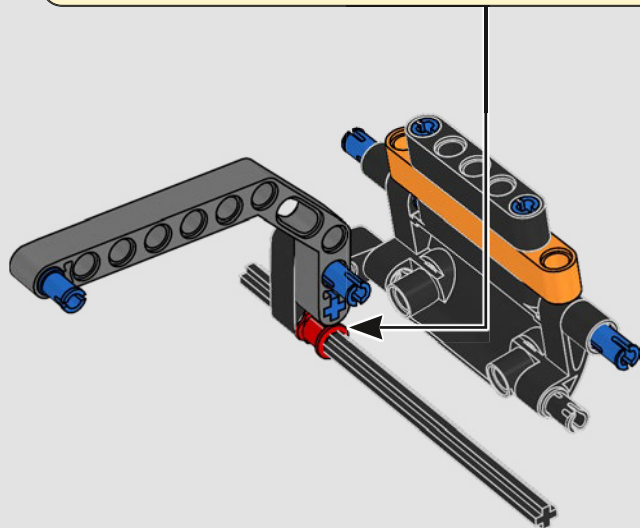
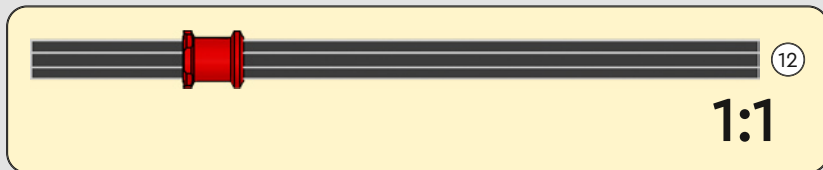
7

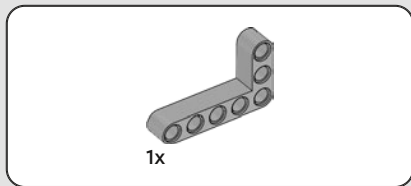




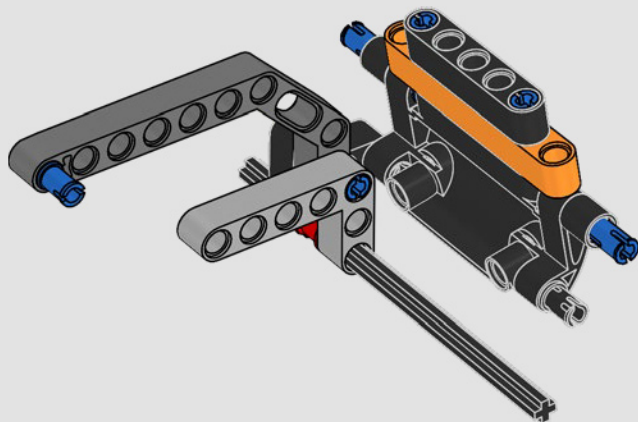


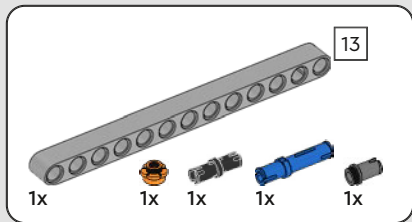
8



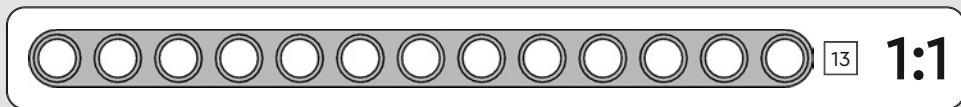
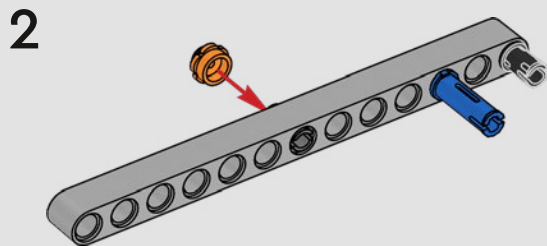
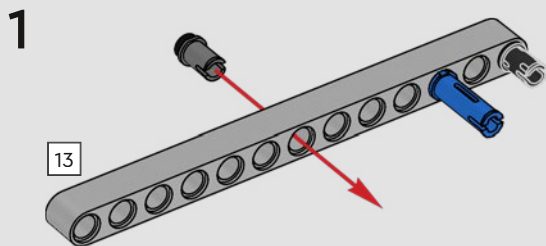


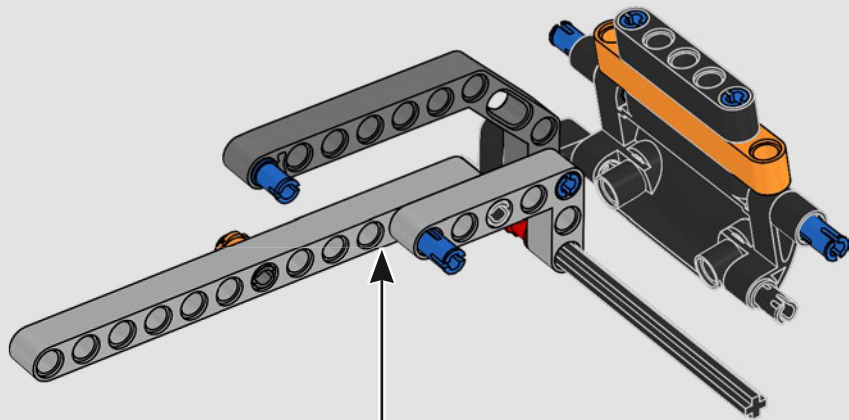
9





10

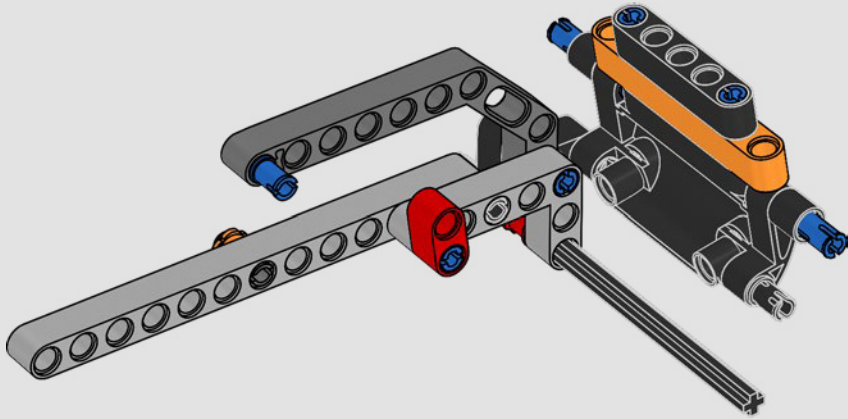




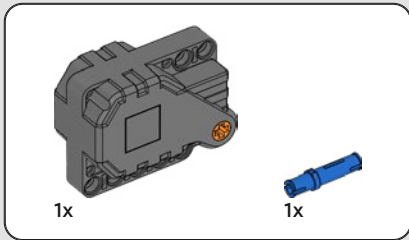


1x

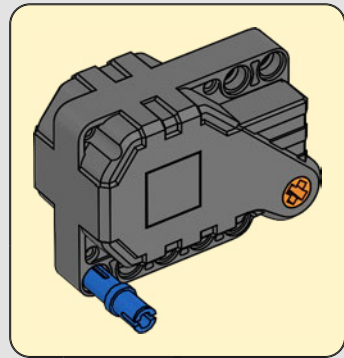
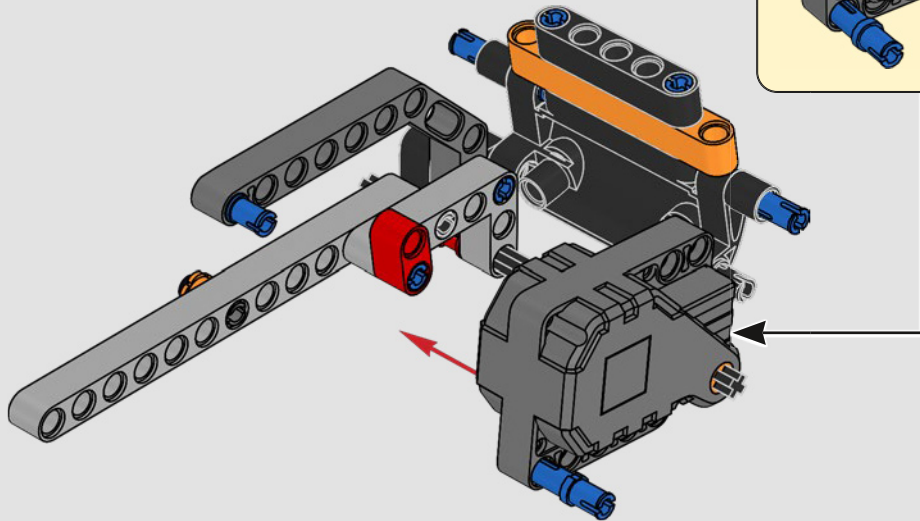
11

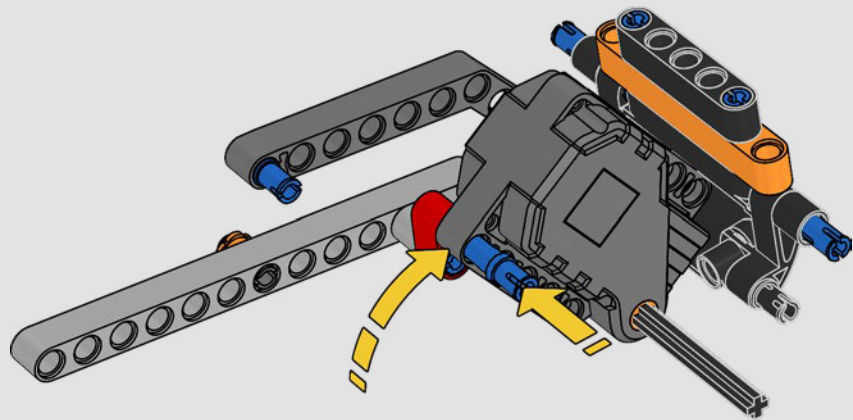


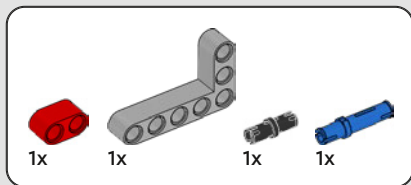




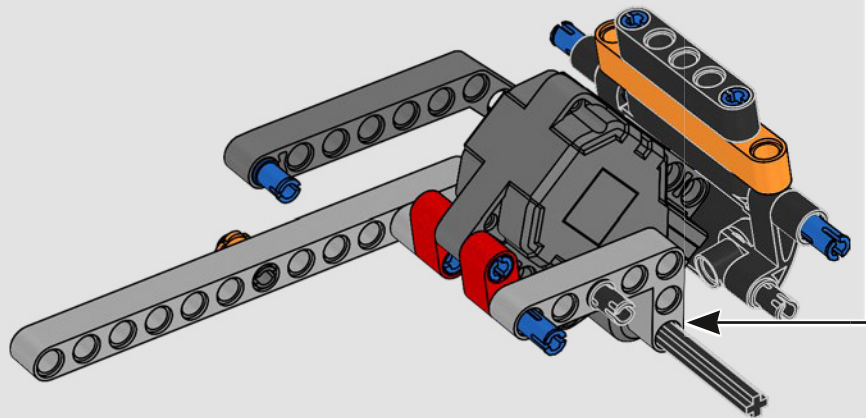
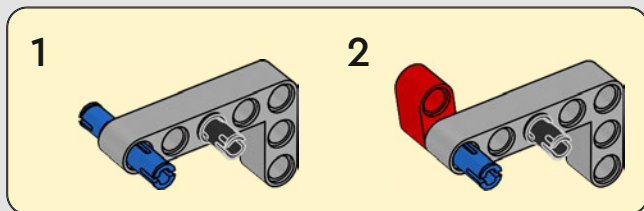
12







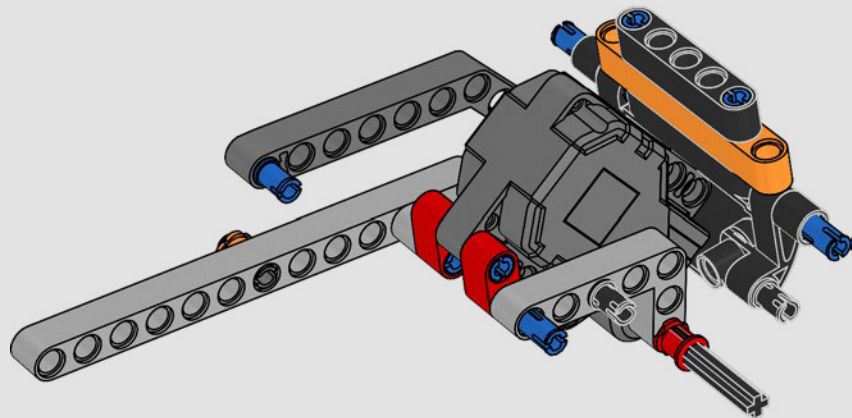
14

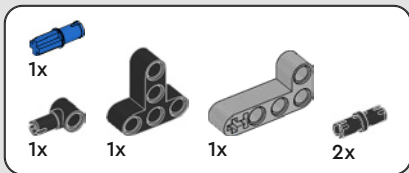




1x

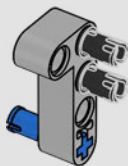
15



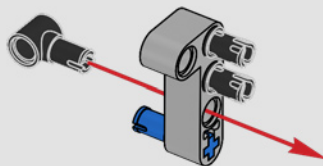


# 16

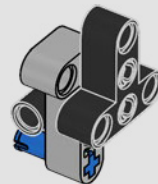
1



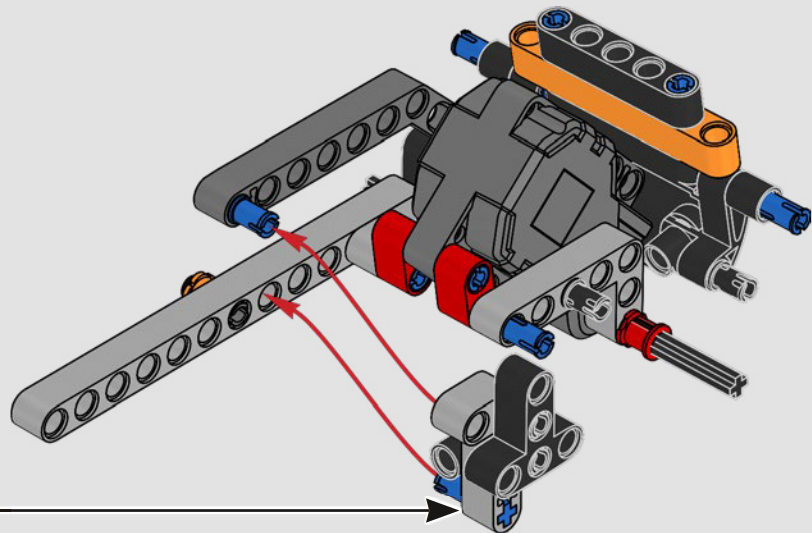
2

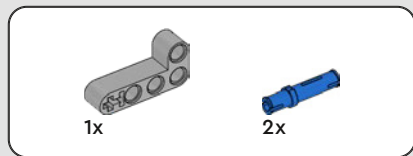


3

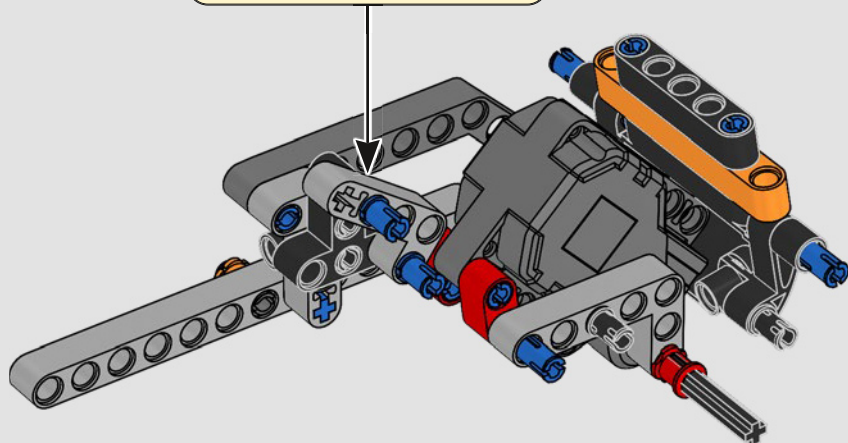
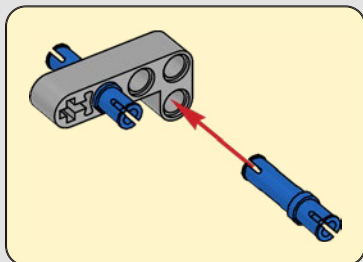


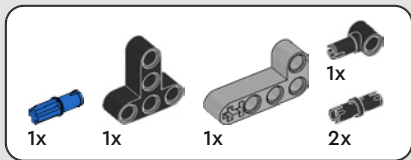




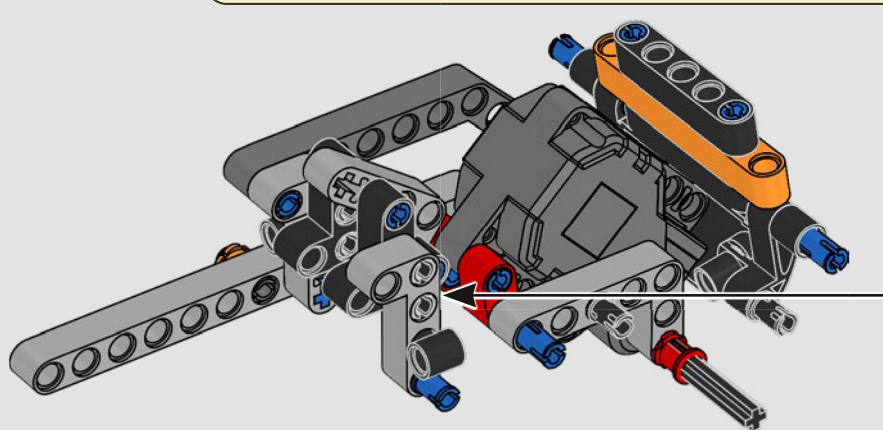
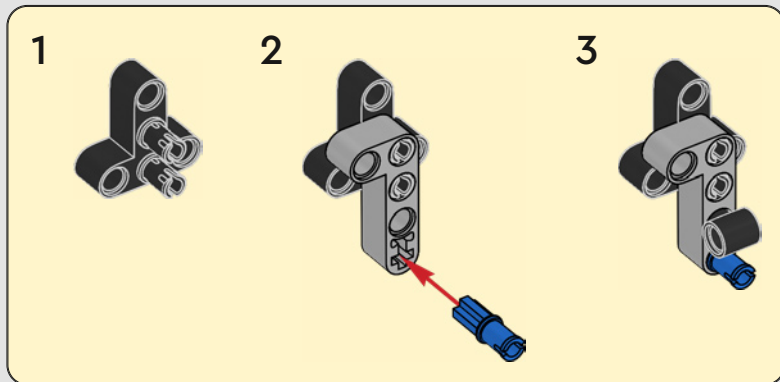


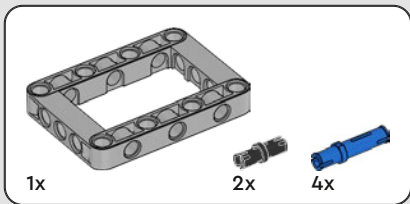
17



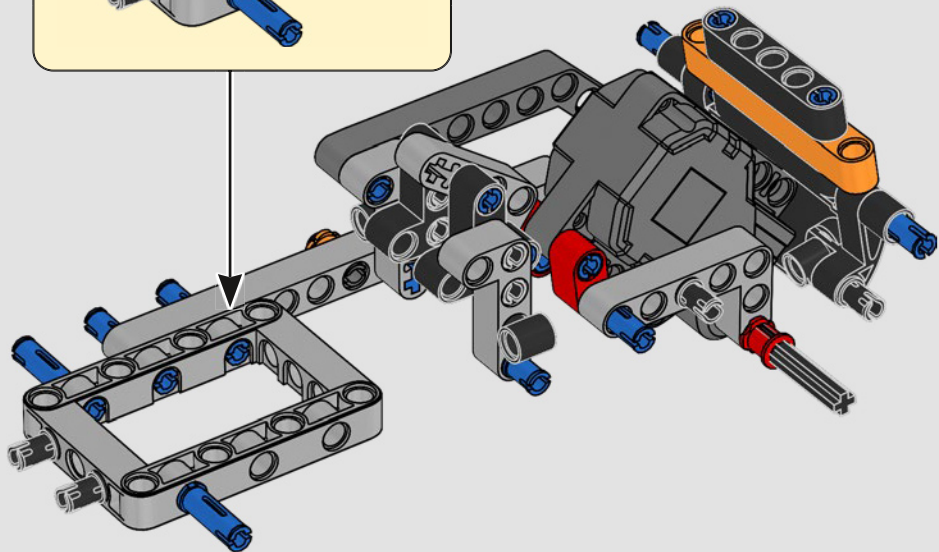
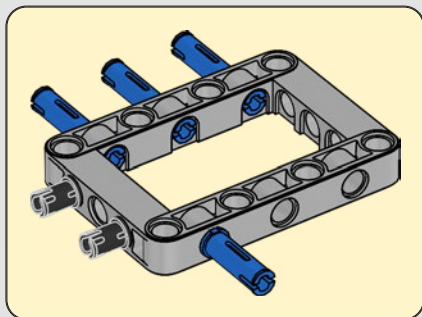


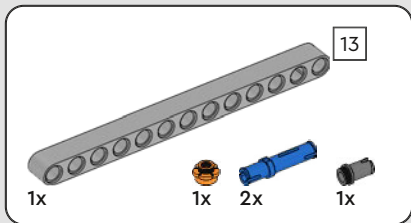
18





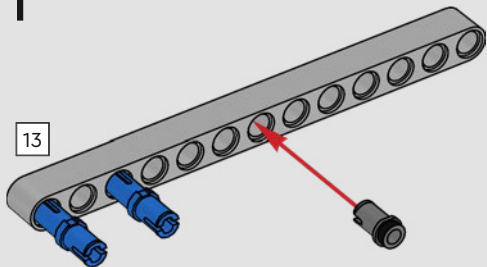
19



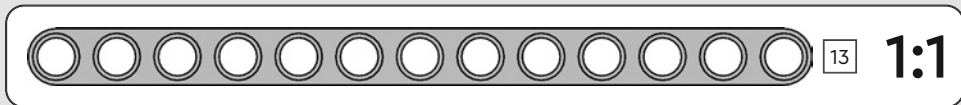
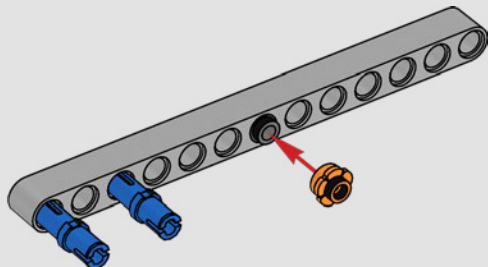


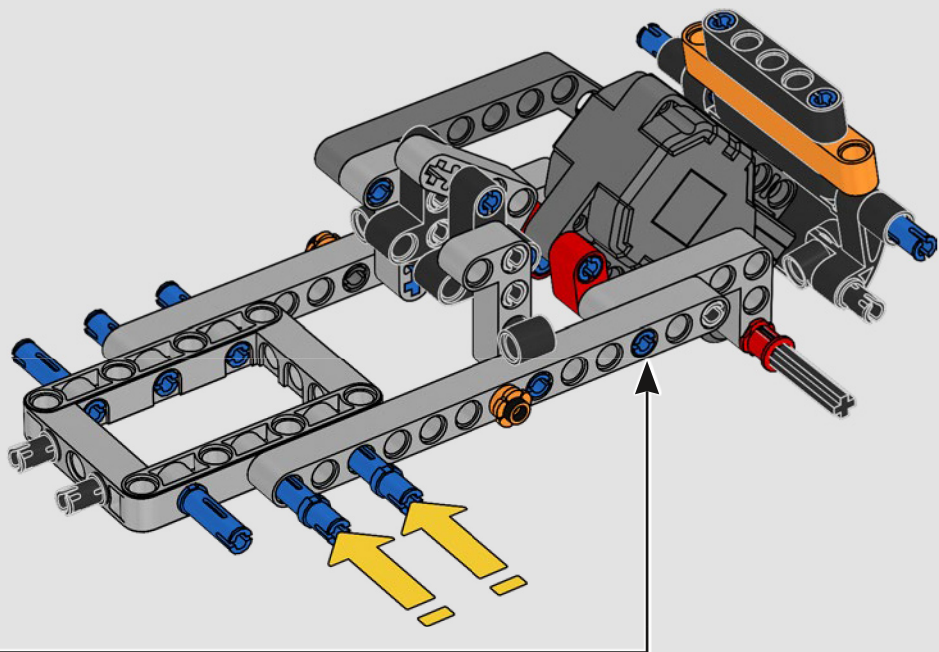
20

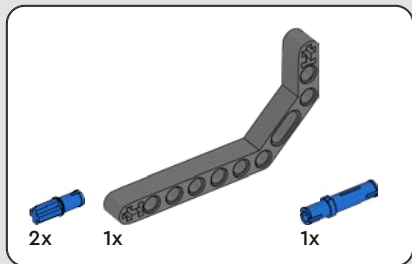
1



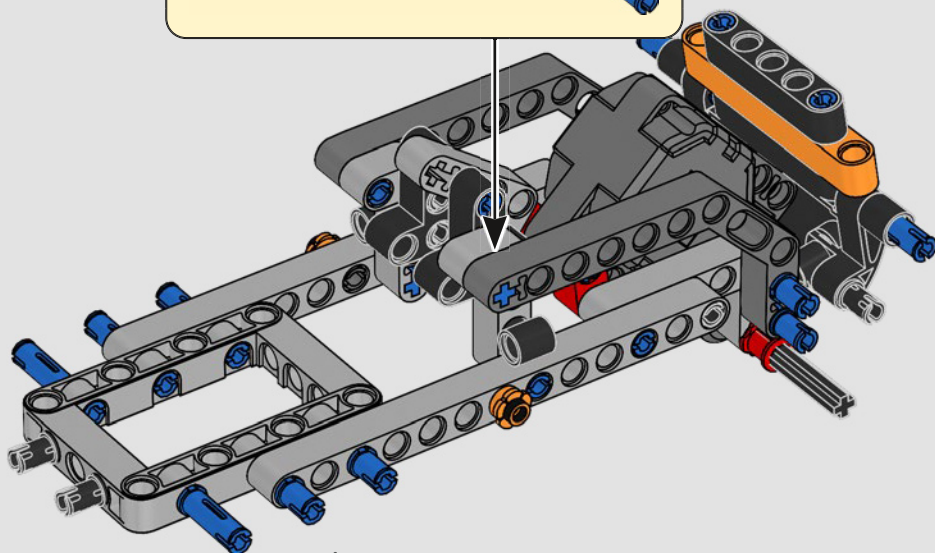
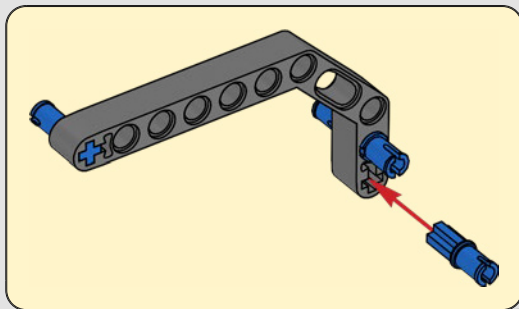
2







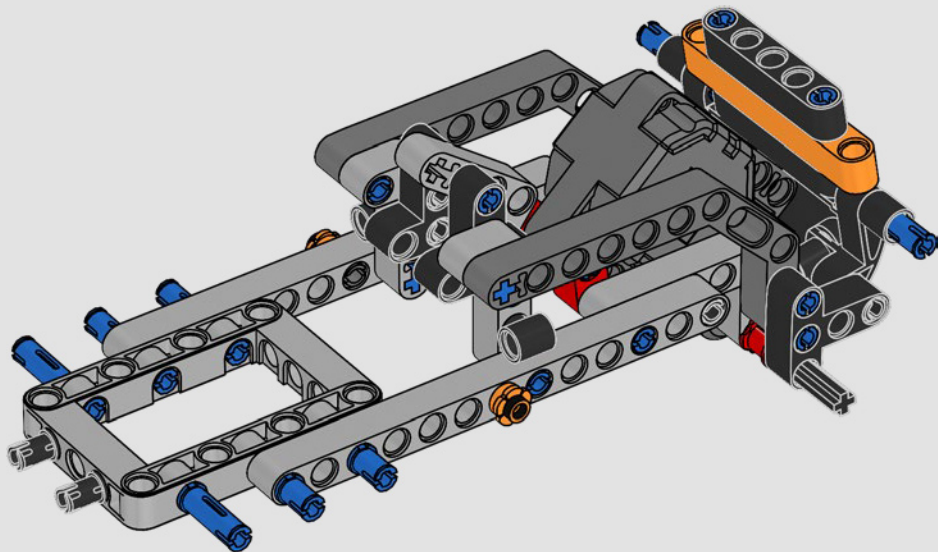
21



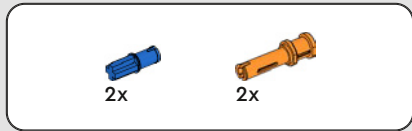


1x

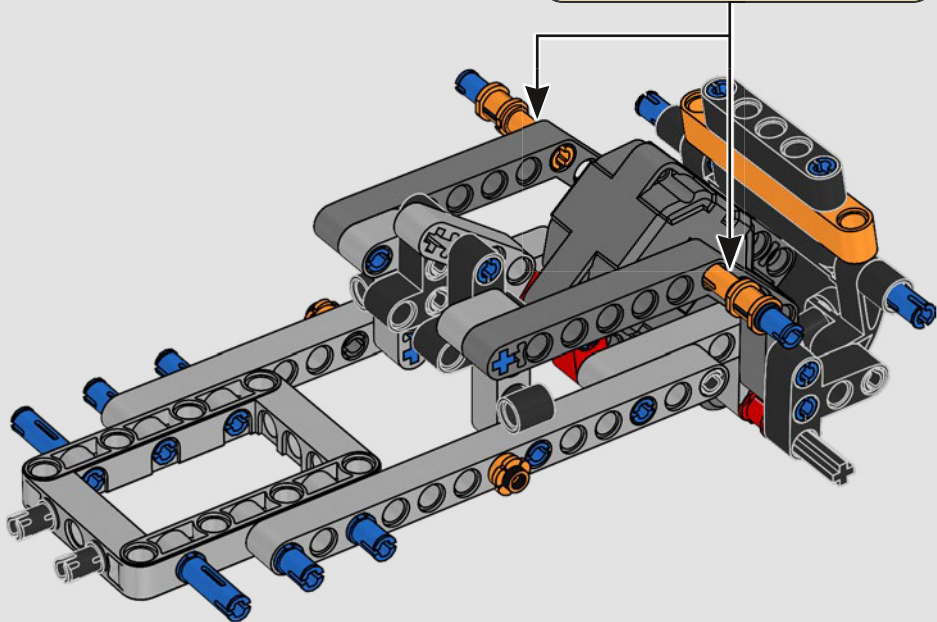
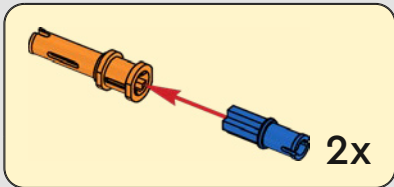
22

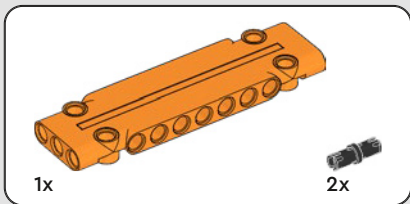
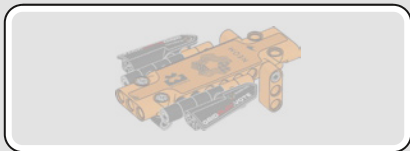




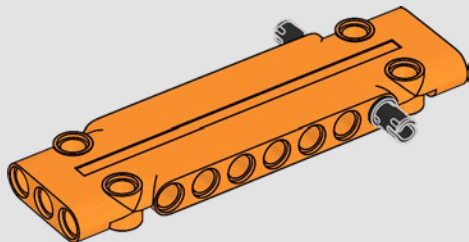


23

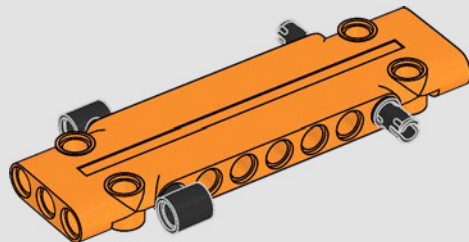




24



25



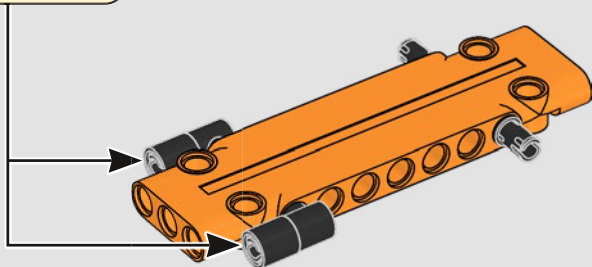
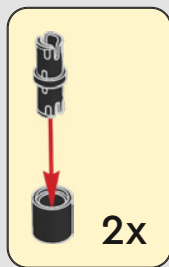


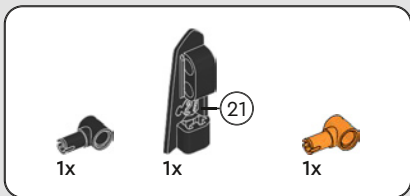
2x



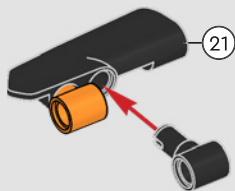
2x

26



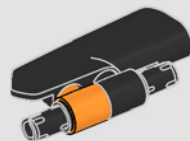


27



2x

28



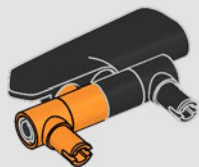


1x



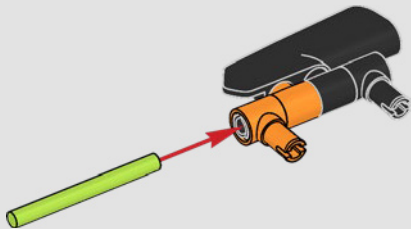
1x

29



1x

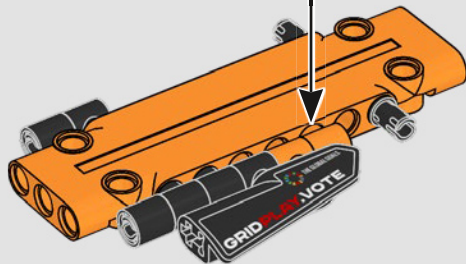
30

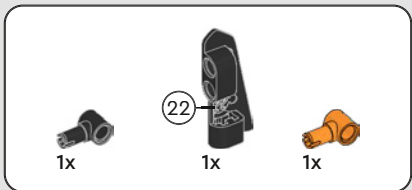


31

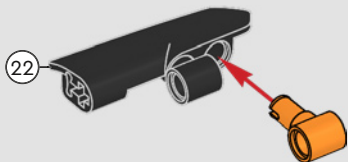


32

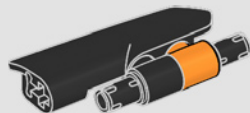


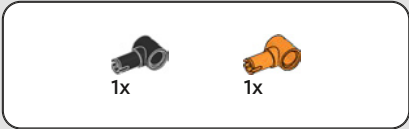


33

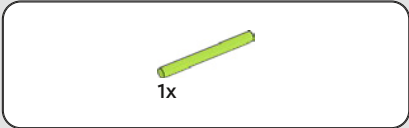
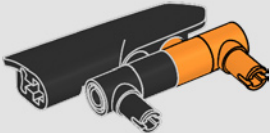


34

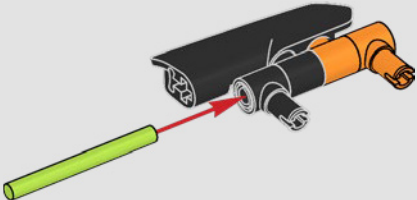




35



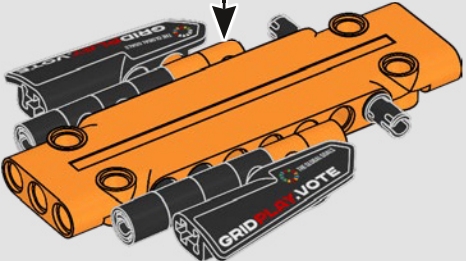
36



37



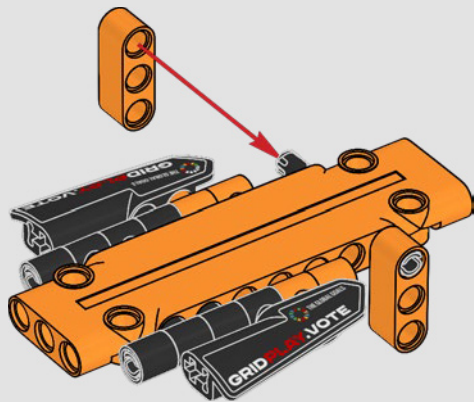
38





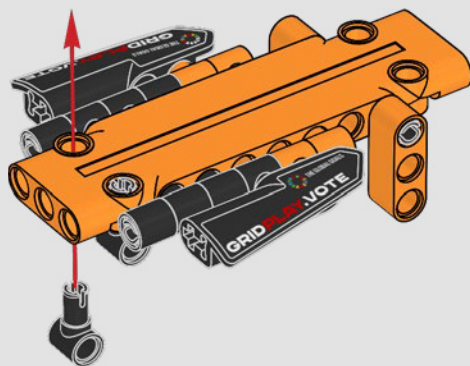
2x

39

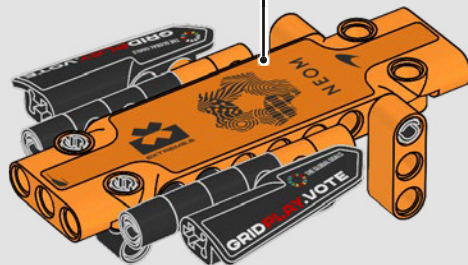


2x

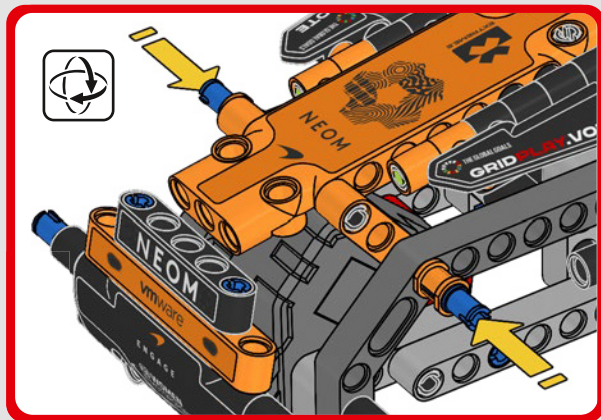
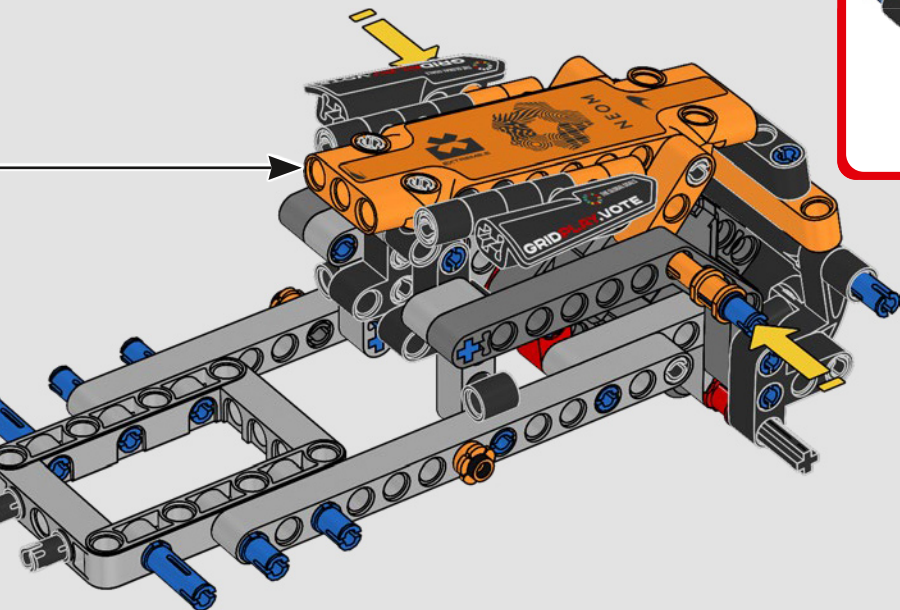
40

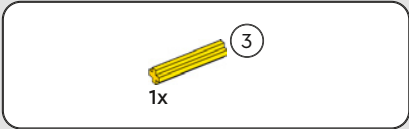




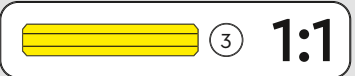
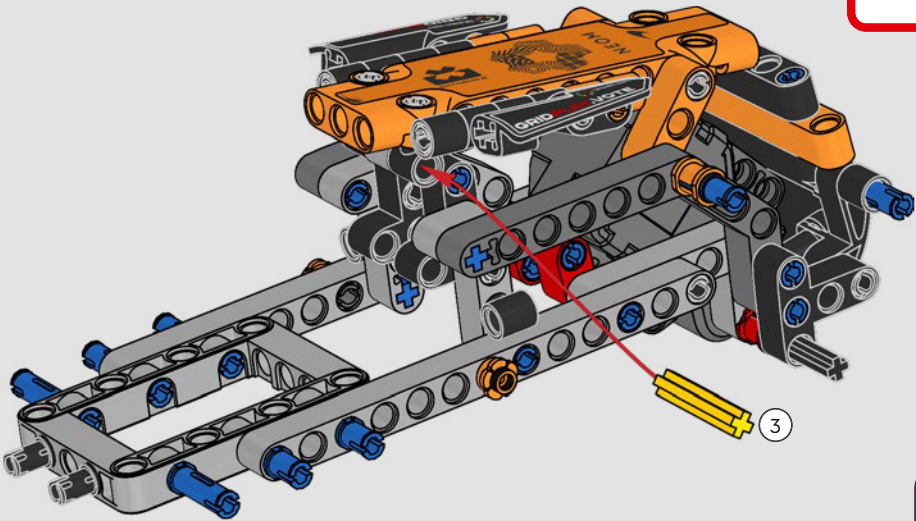
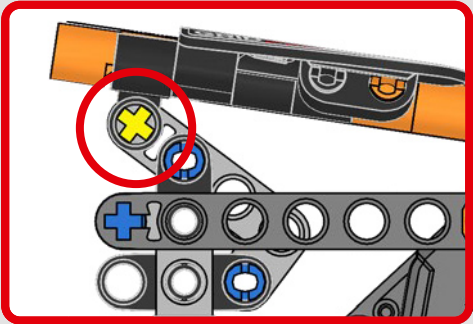


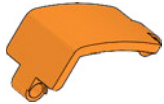
42





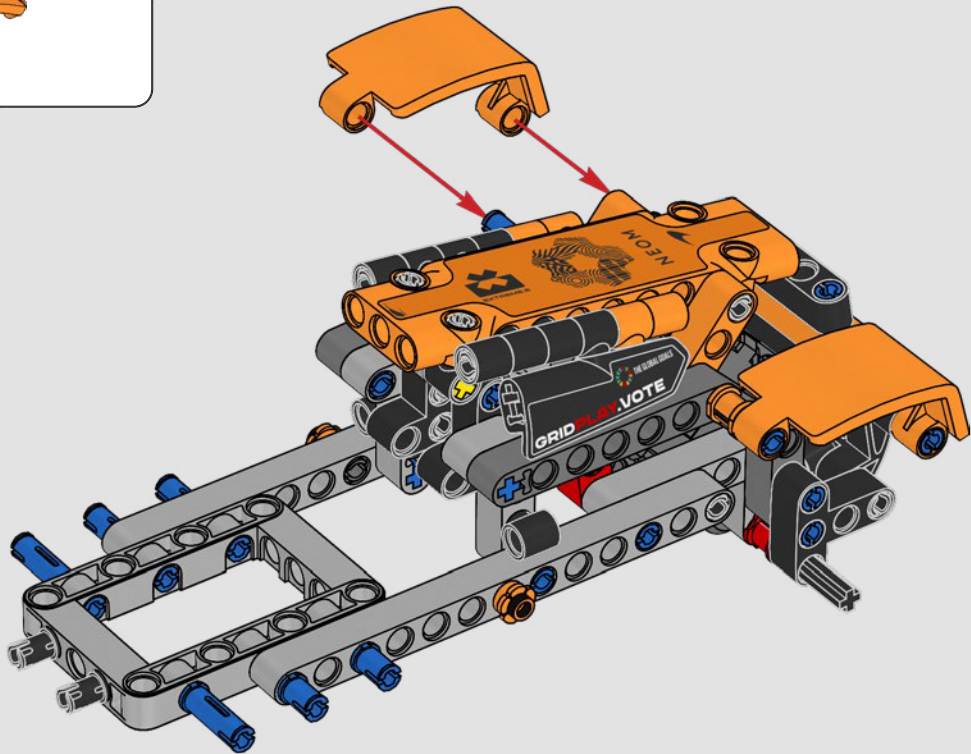
43





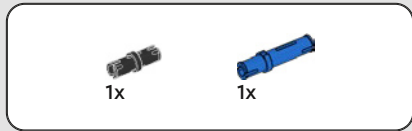
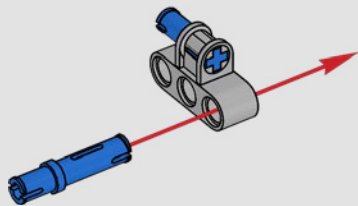
2x

44

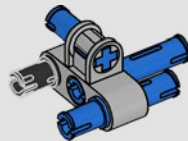




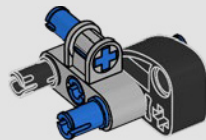
45



46



47



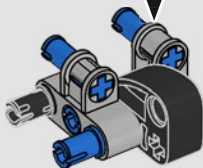


1x



1x

# 48

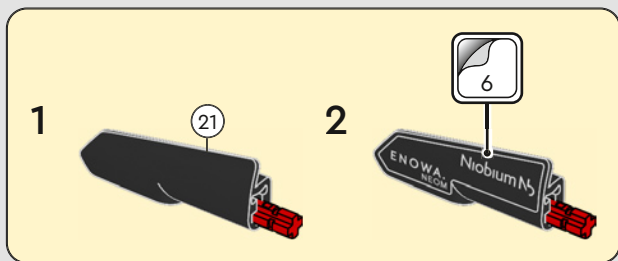


1x



1x

# 49

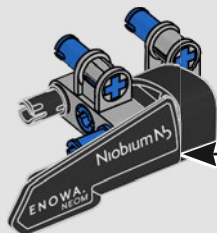


1

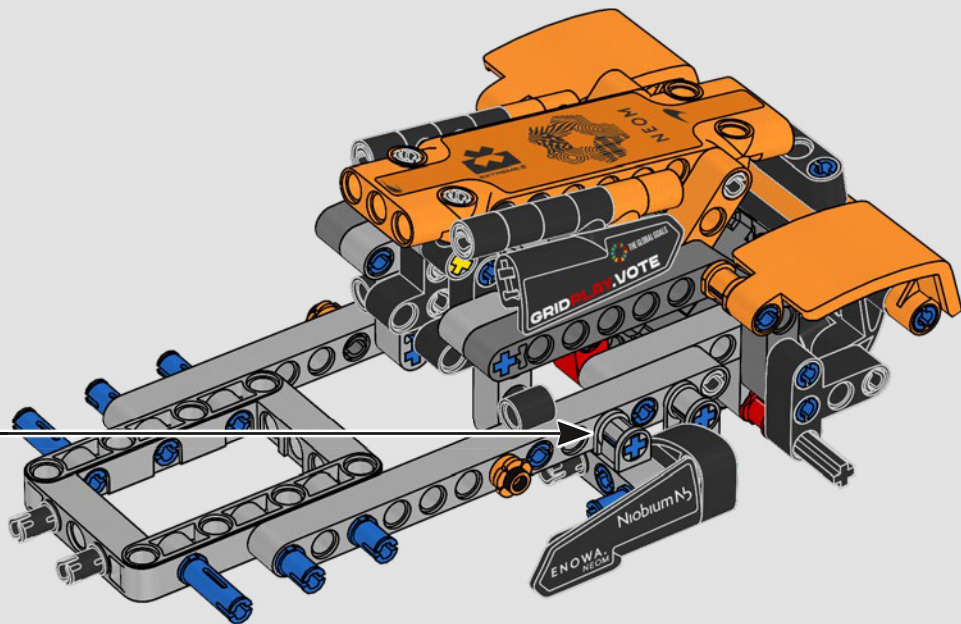
21

2

6

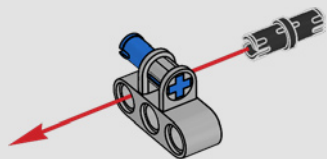


50

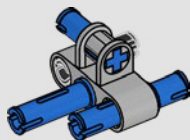




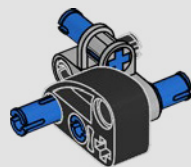
51



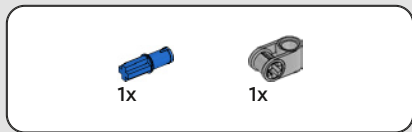
52



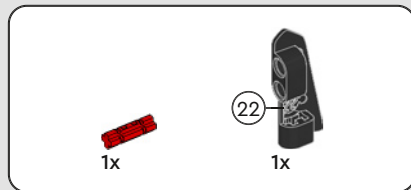
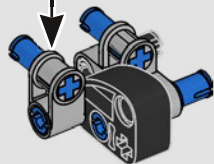
53



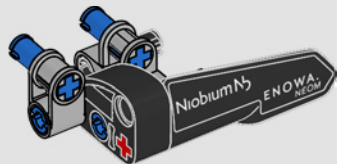
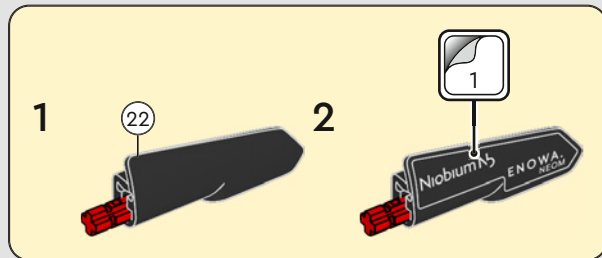




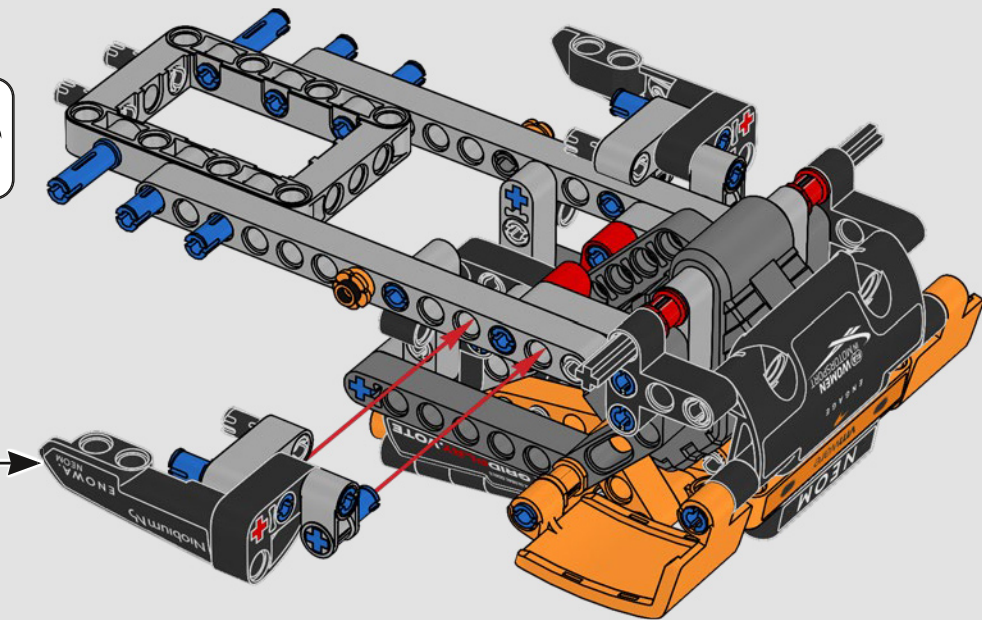
54

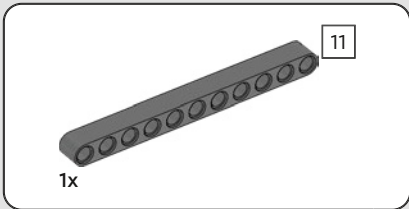


55

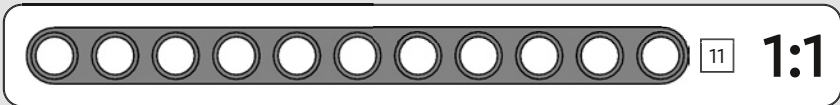
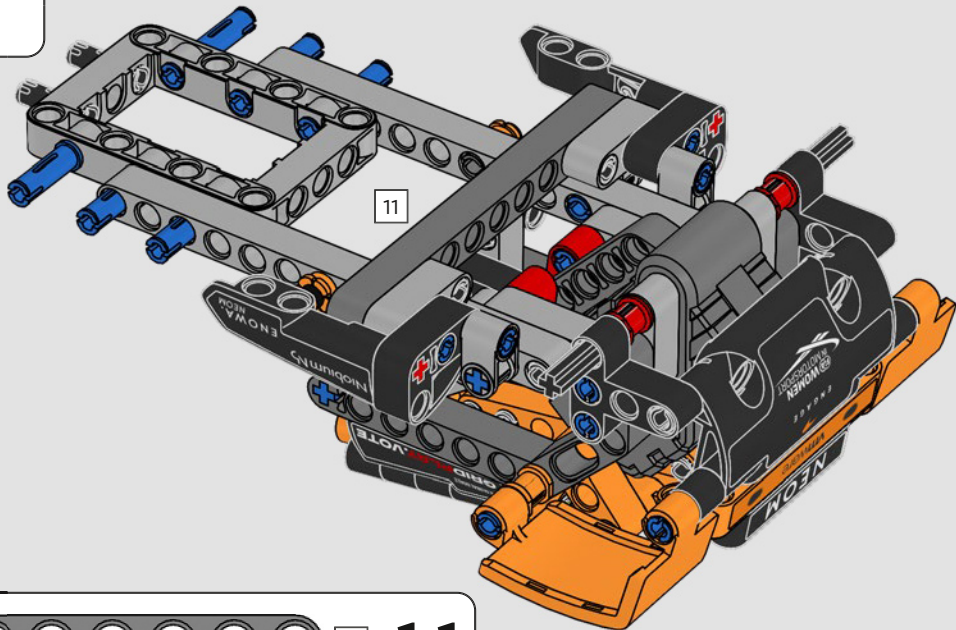


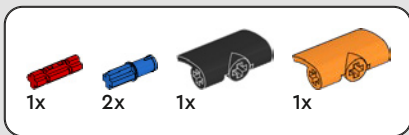
56





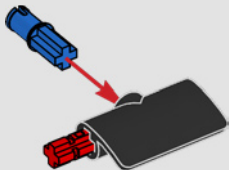
57



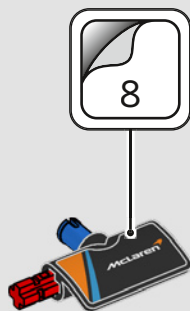


58

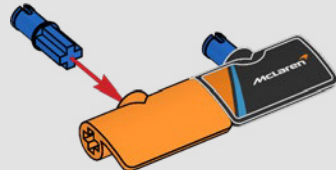
1

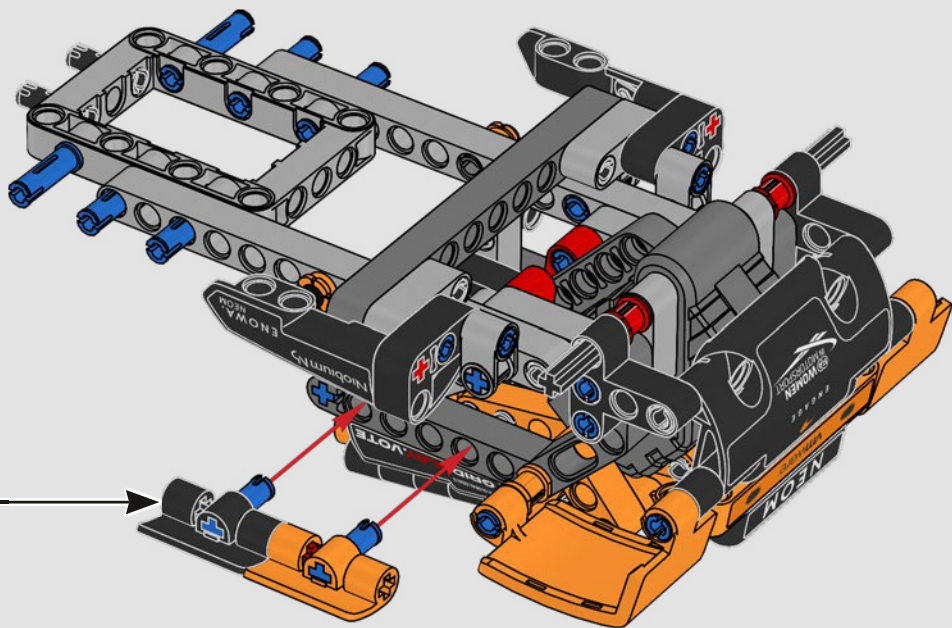


2

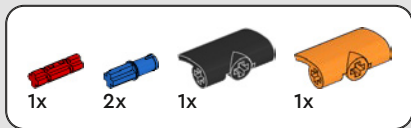


3



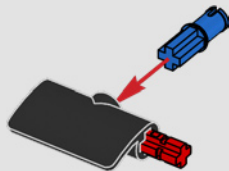




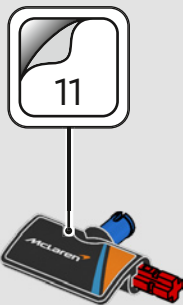


60

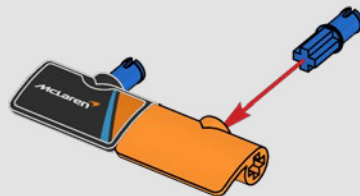
1

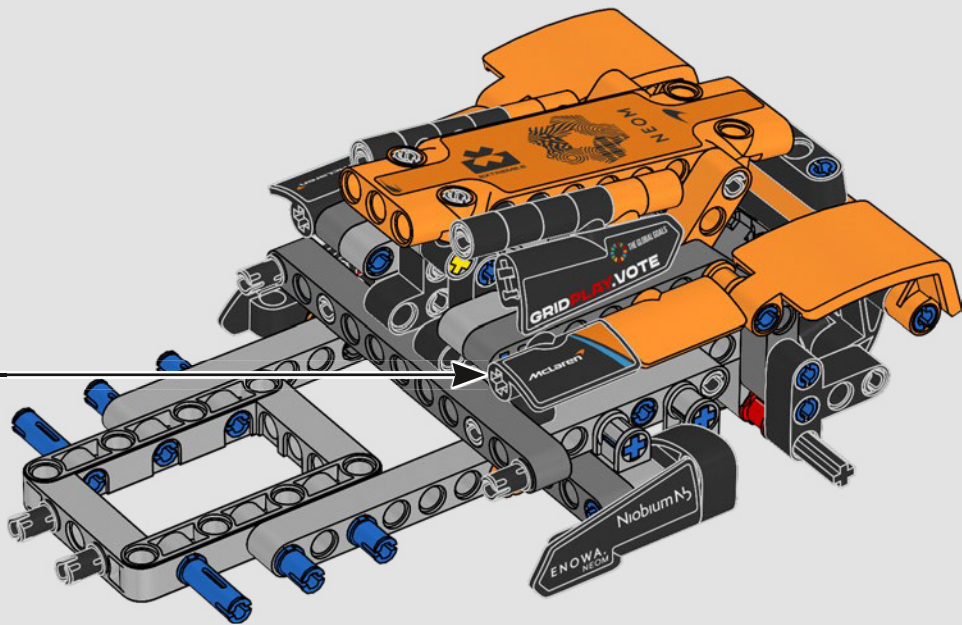


2

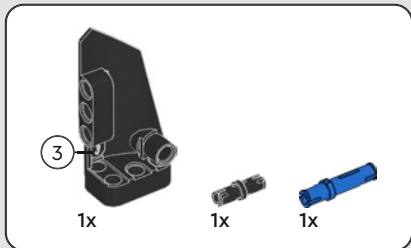
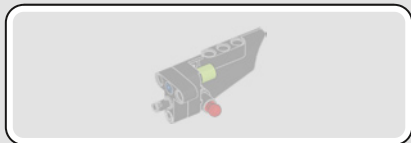


3

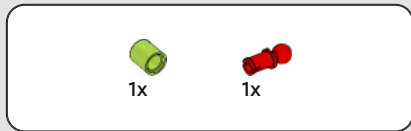
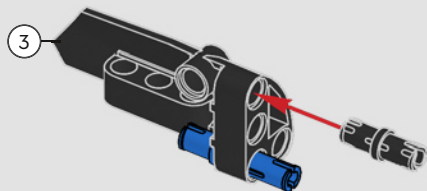




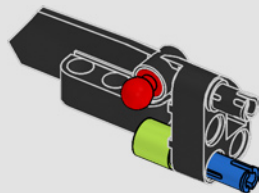




61

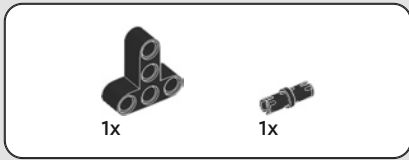


62

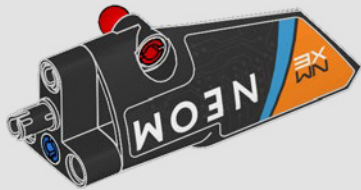


63

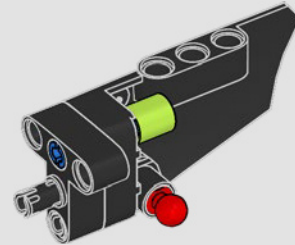




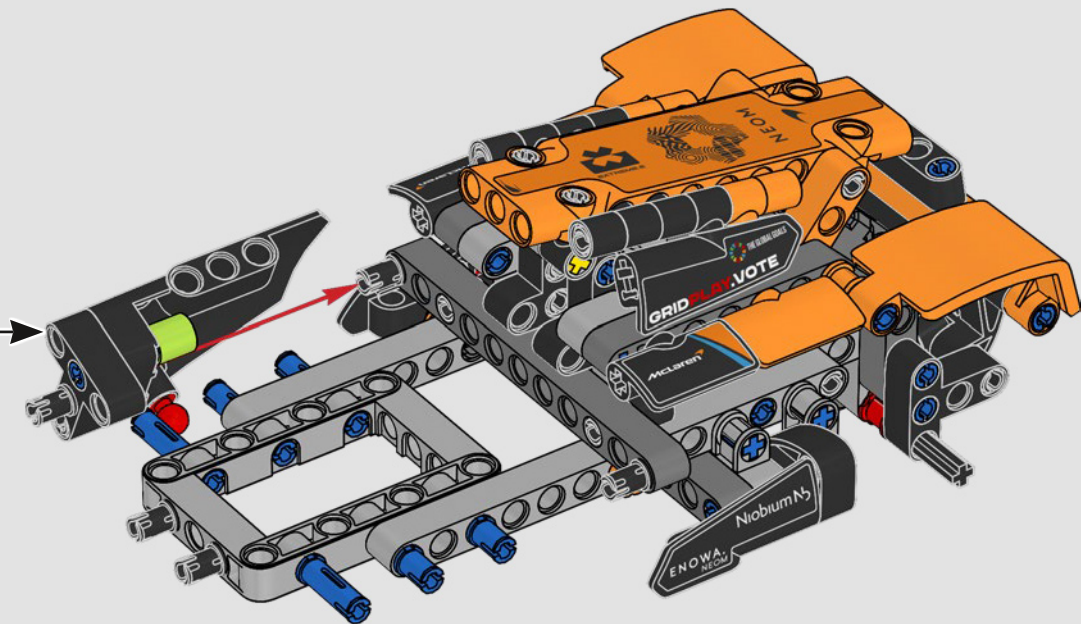
64

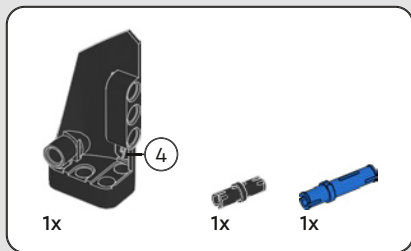


65

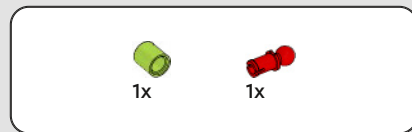
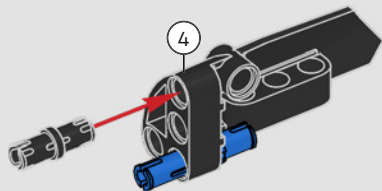


66

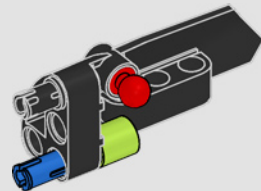


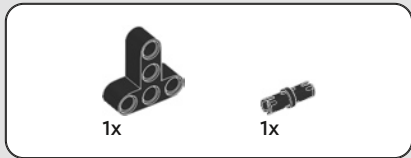


67

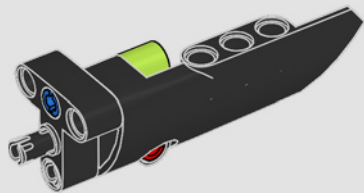


68

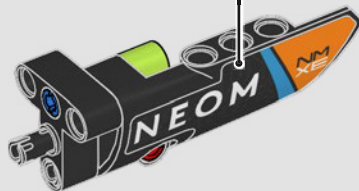




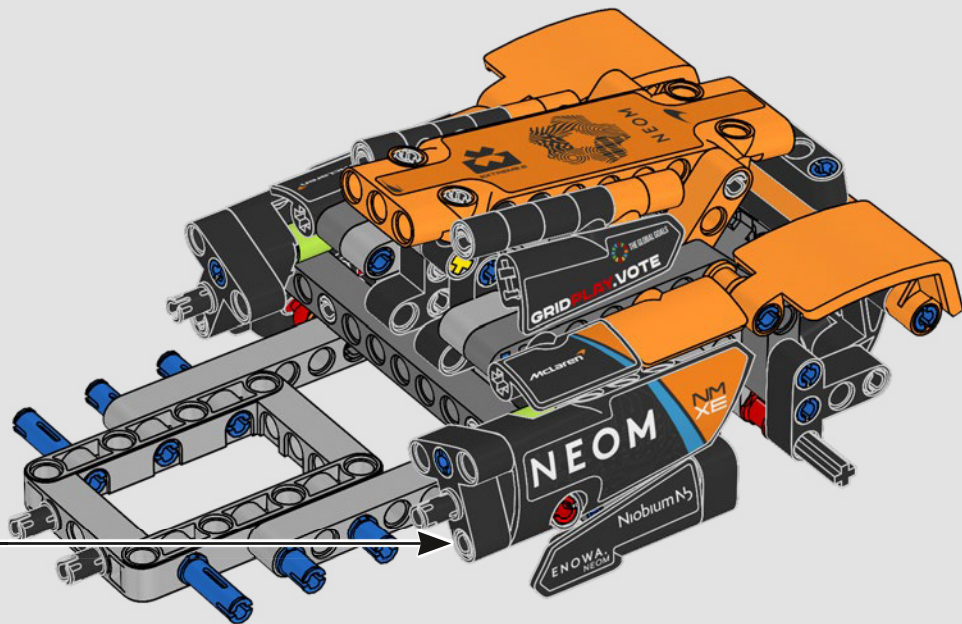
69

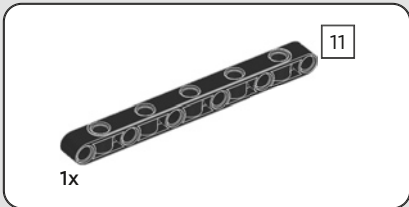


70

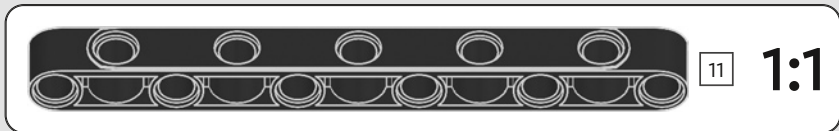
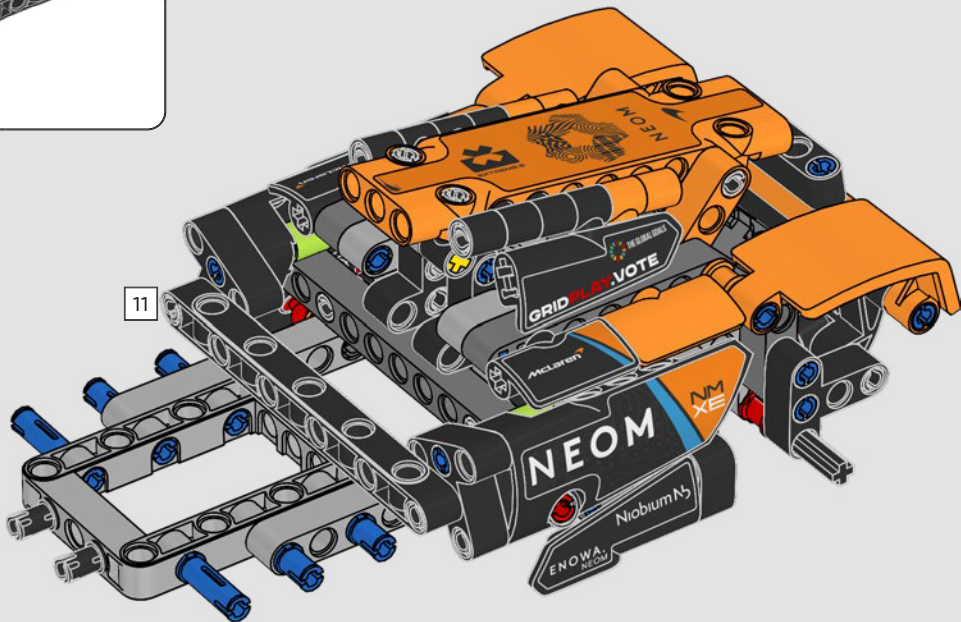


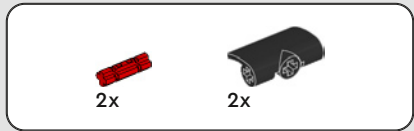
71



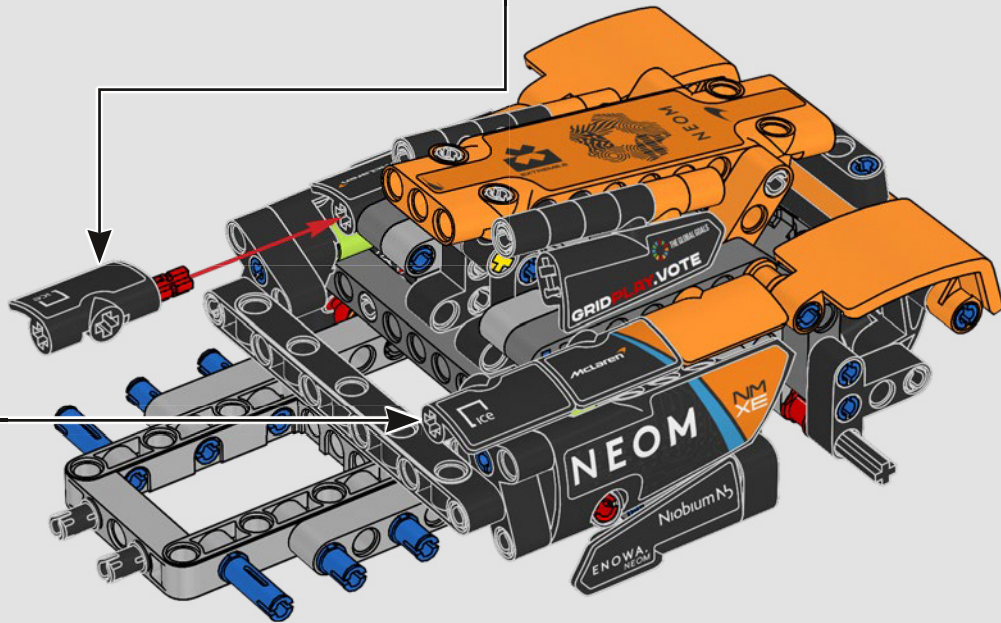
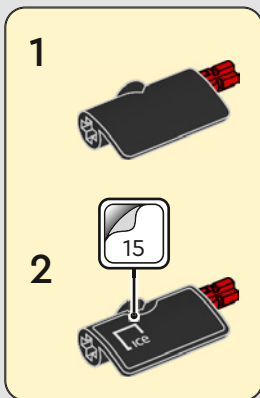
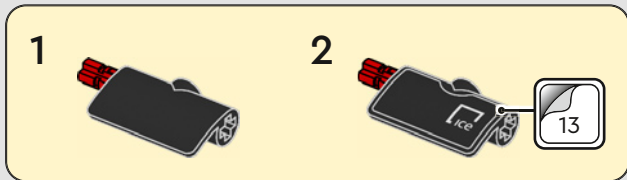


72

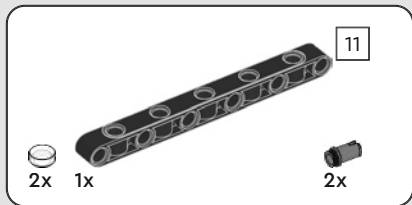




73

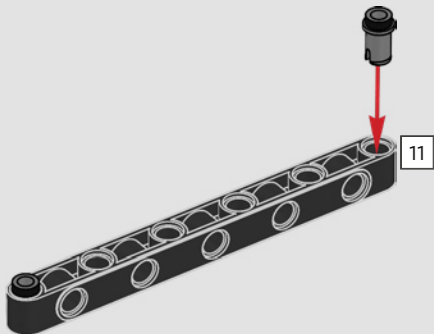




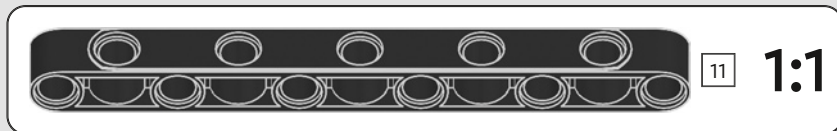
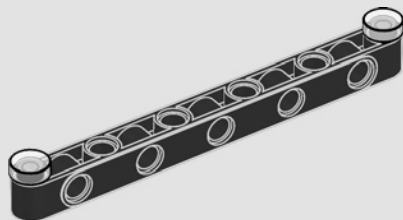


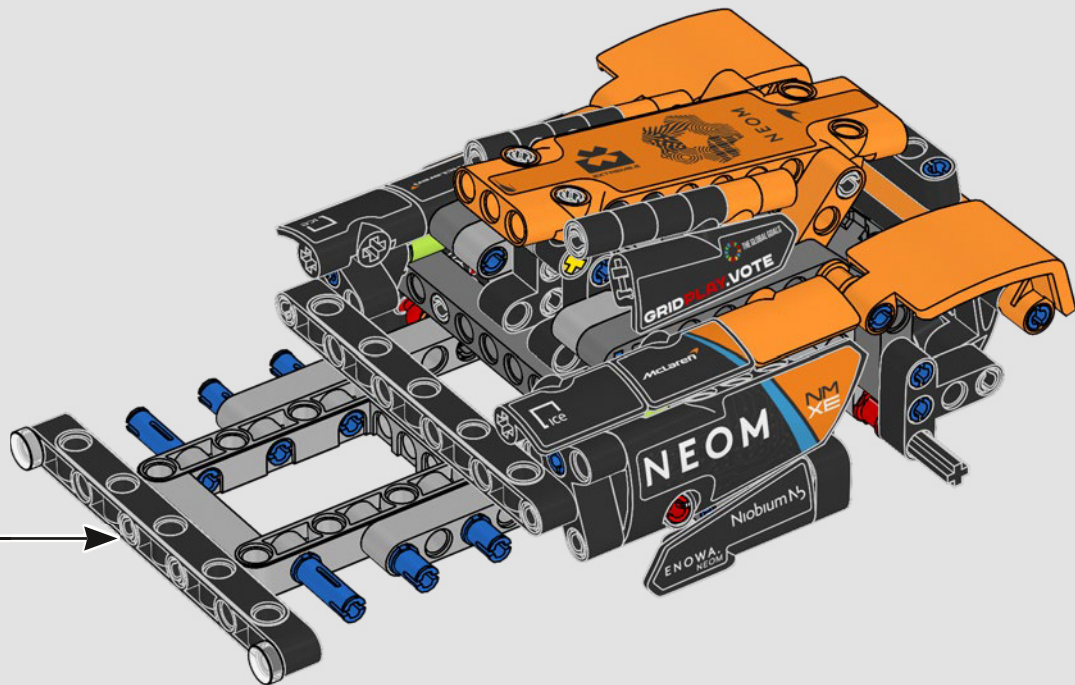
74

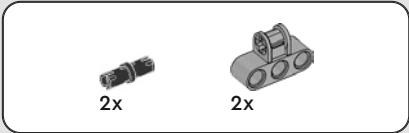
1



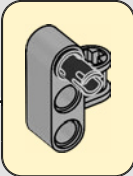
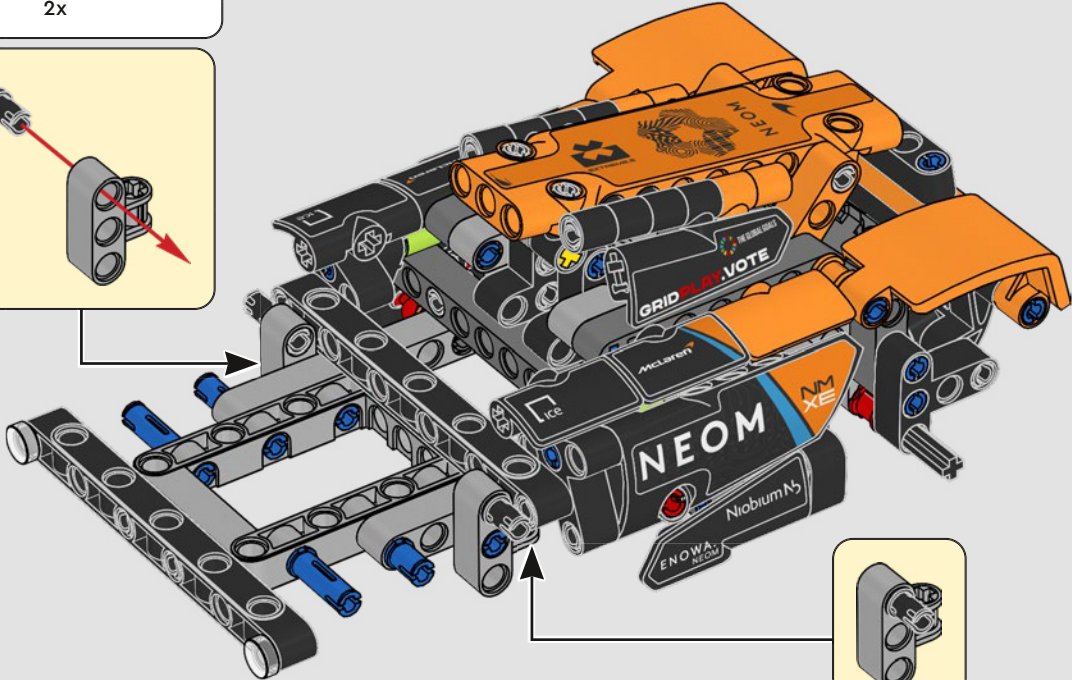
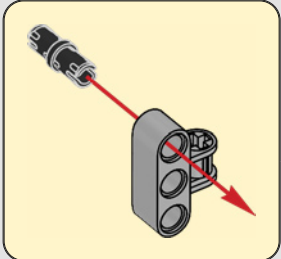
2







75



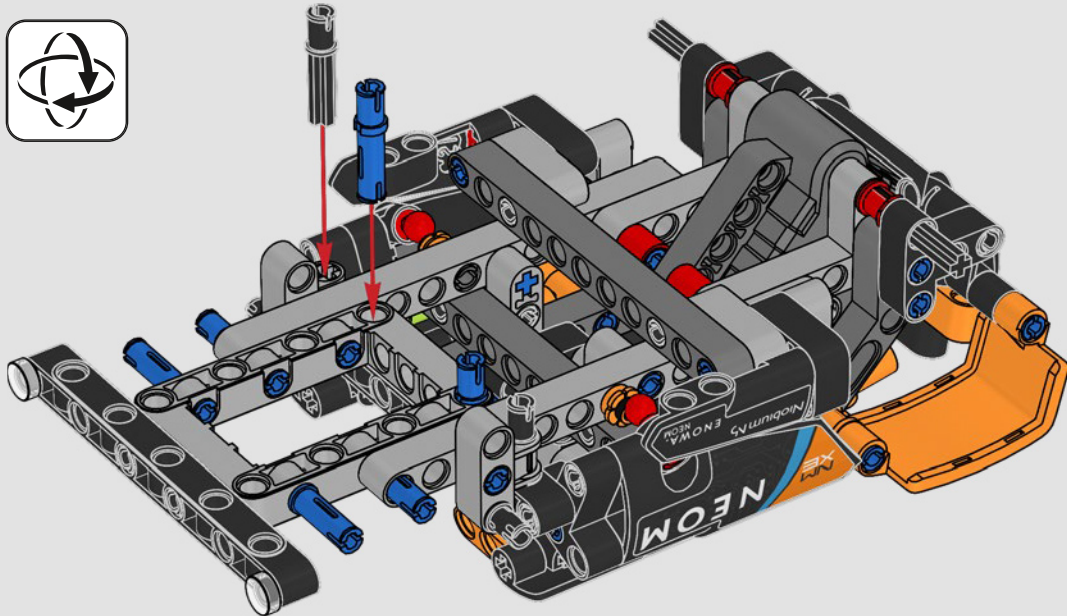


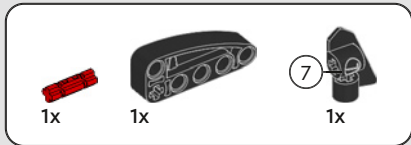
2x



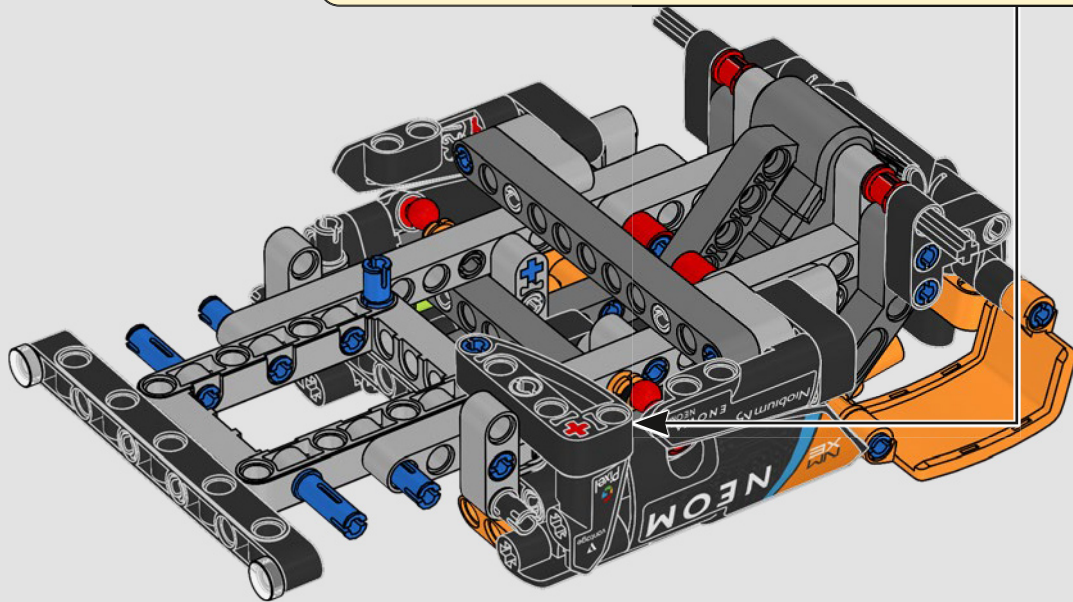
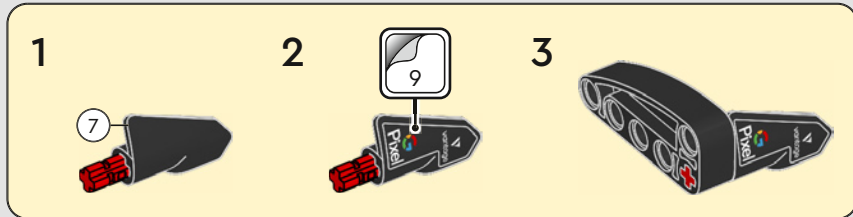
2x

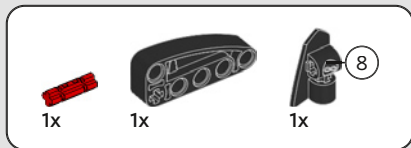
76



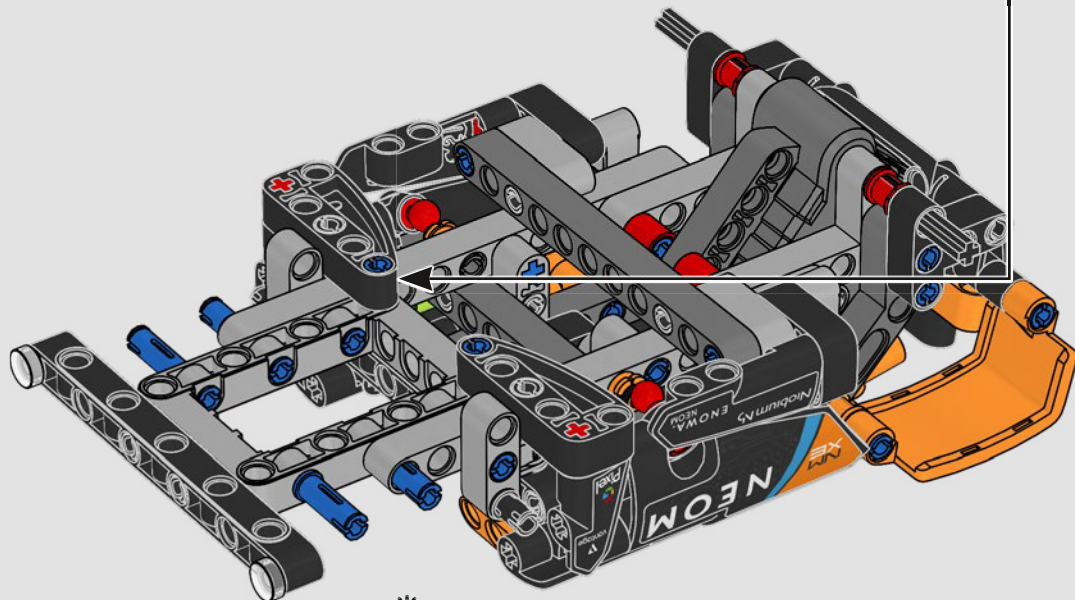
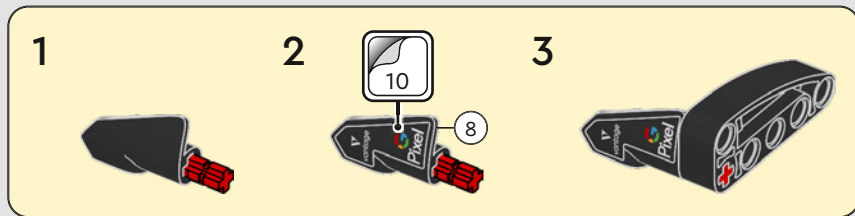


77

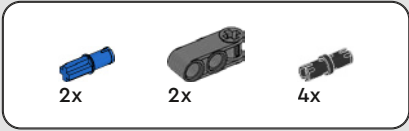




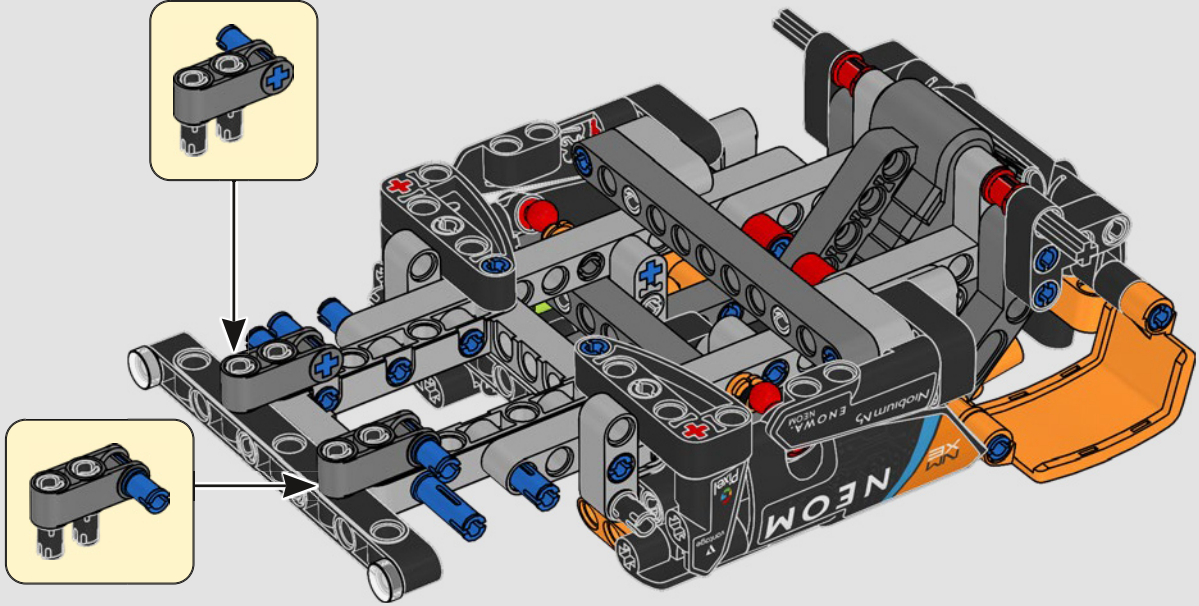
78







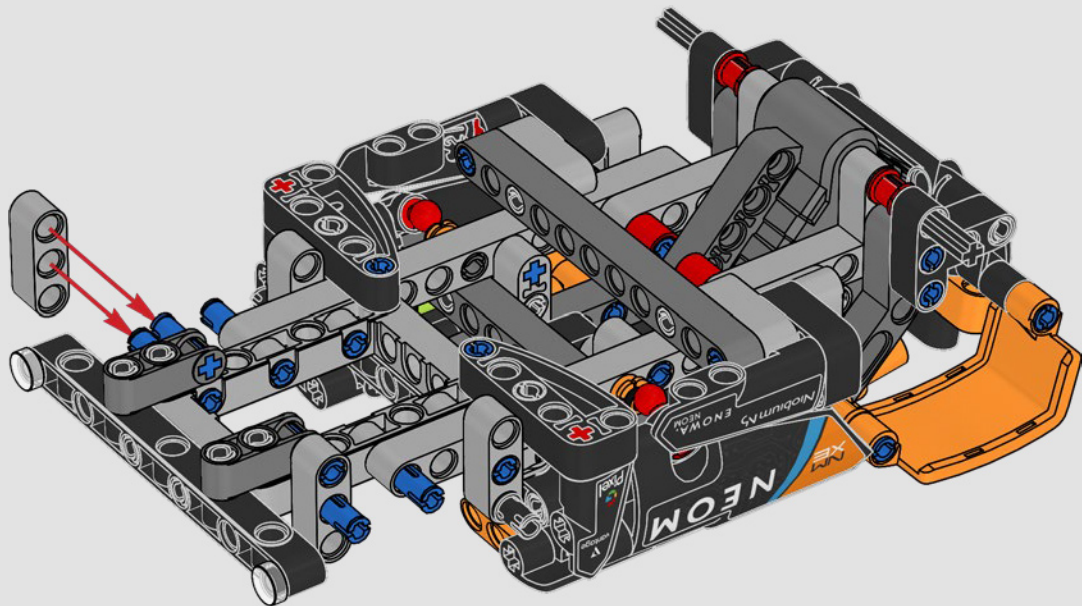
79



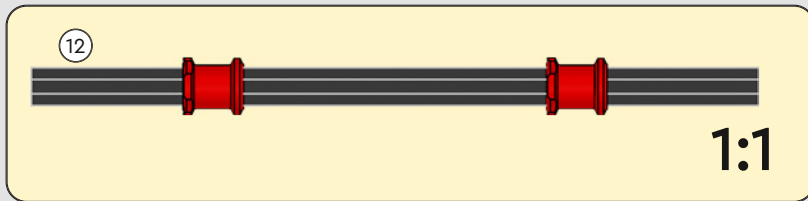
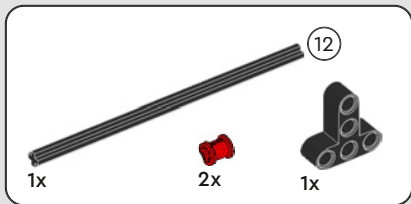


2x

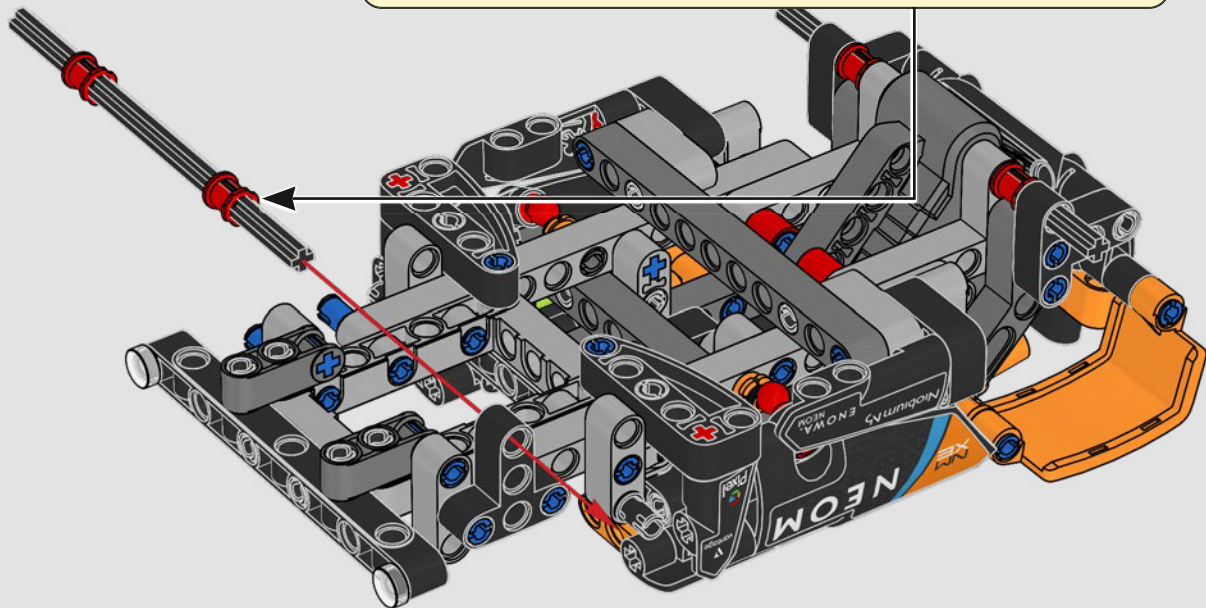
80







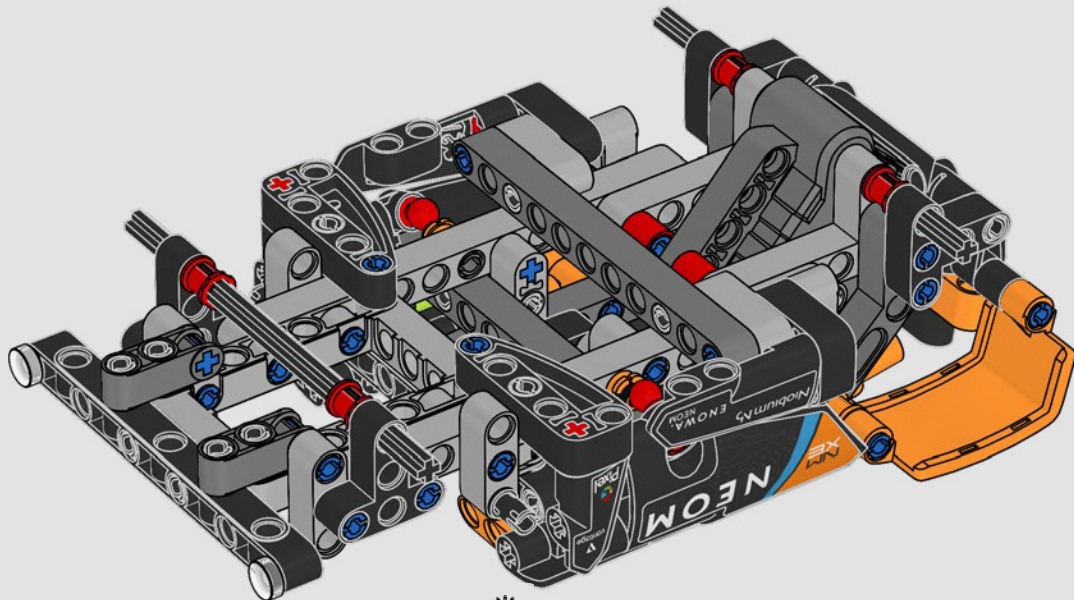
81

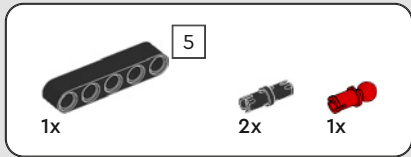




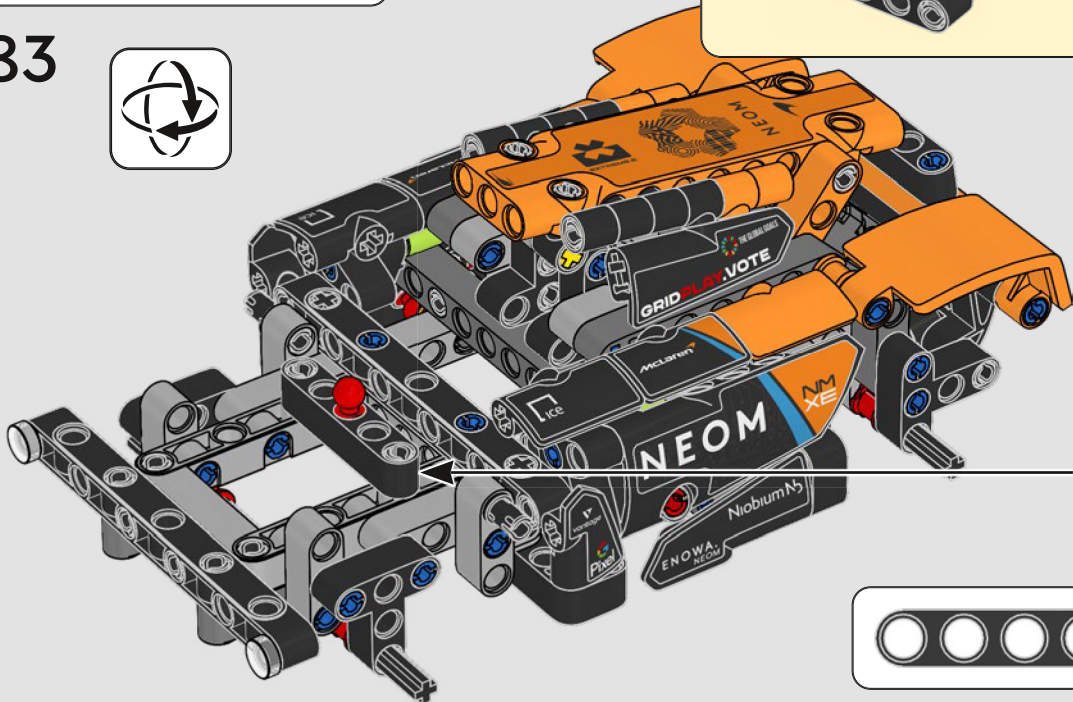
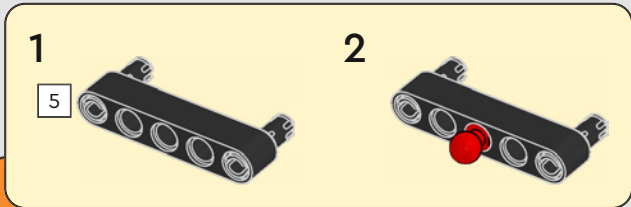
1x

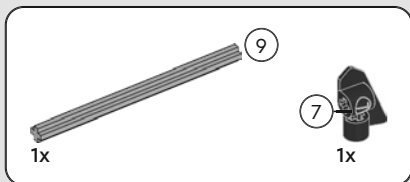
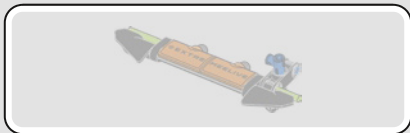
82



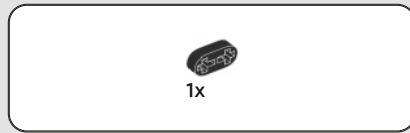
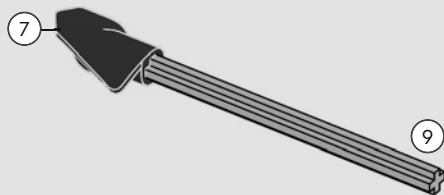


83

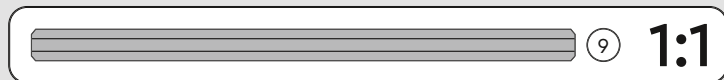
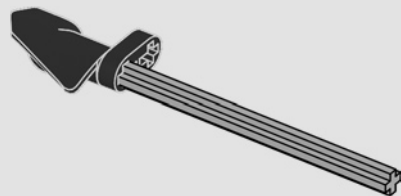


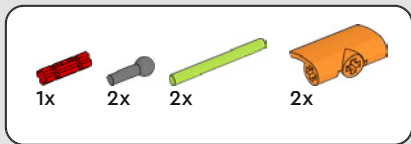


84

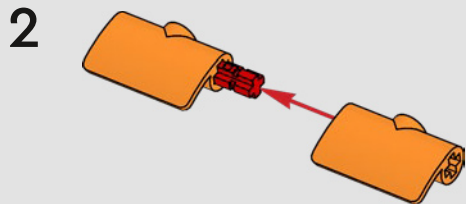


85

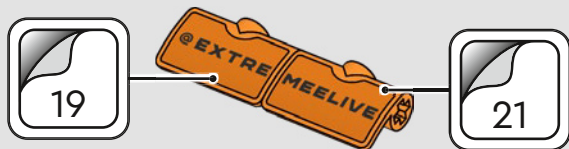




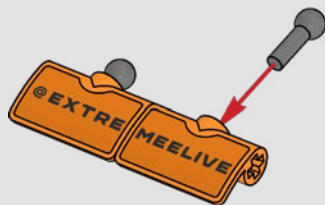
86



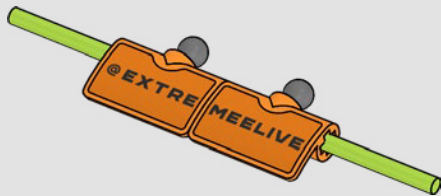
3

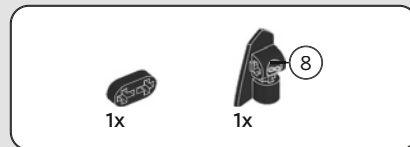


4

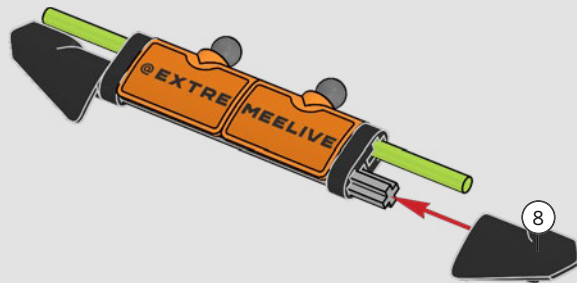


5





87





1x



1x



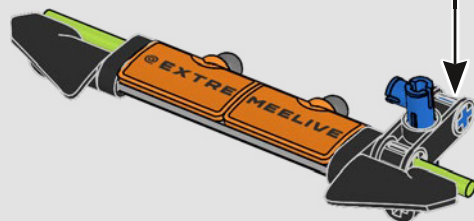
1x

88

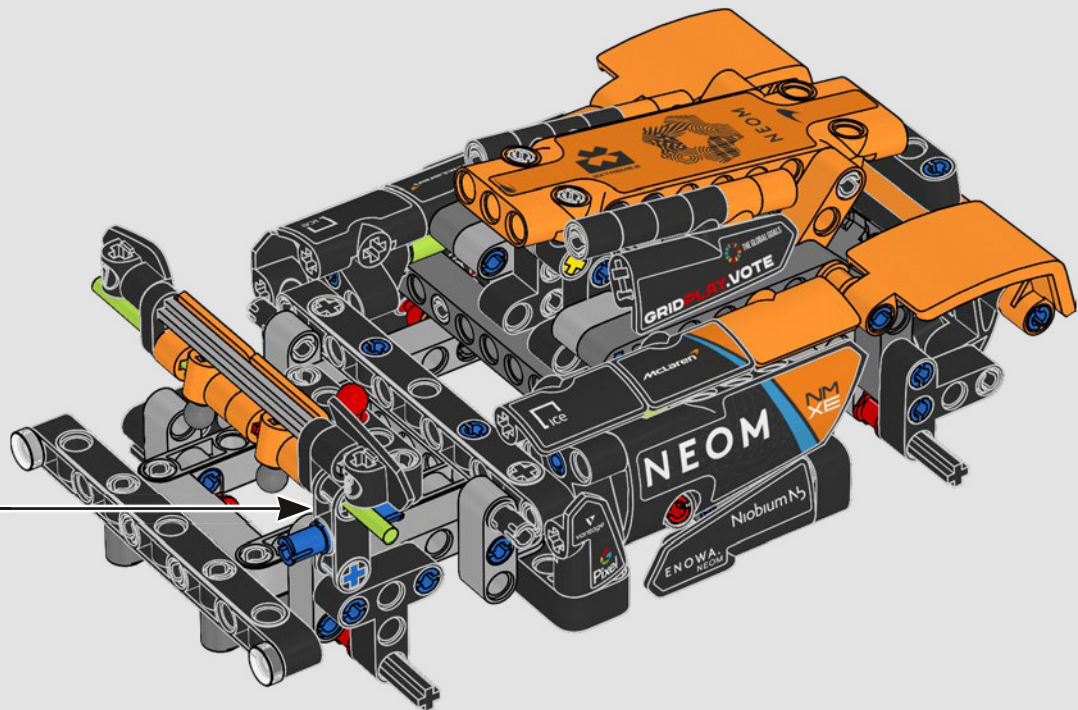
1



2



89







1x



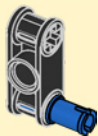
1x



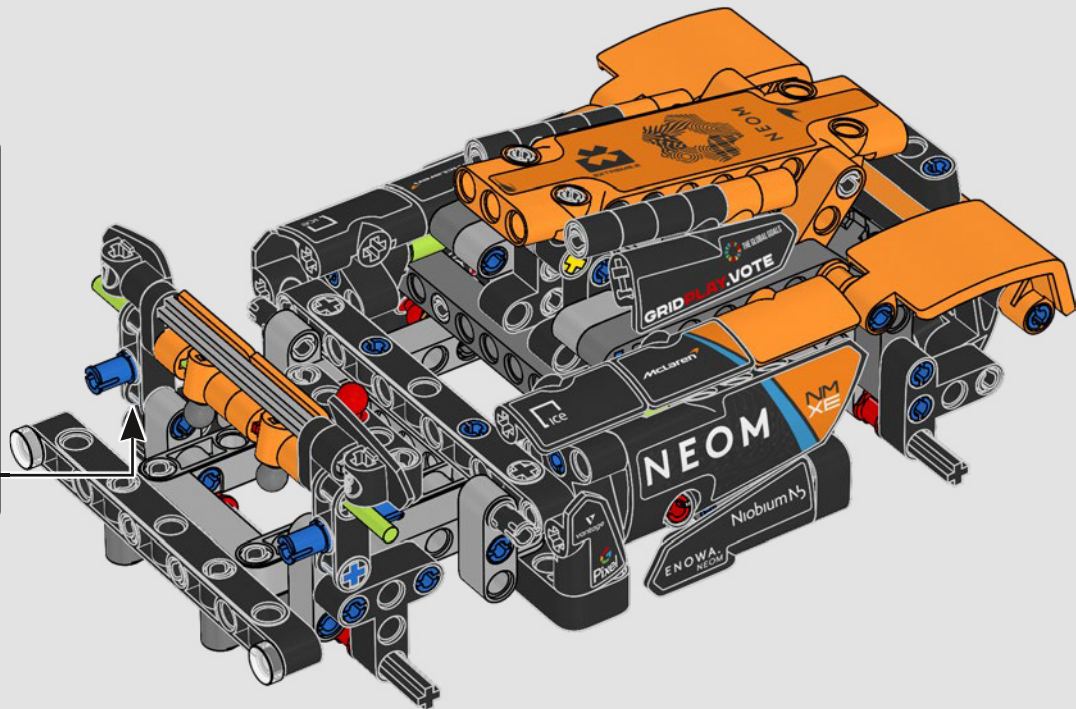
1x

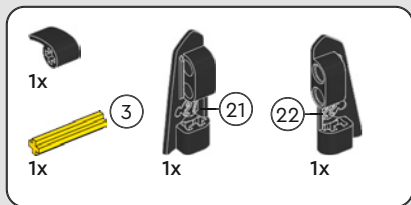
# 90

1

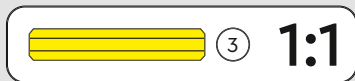
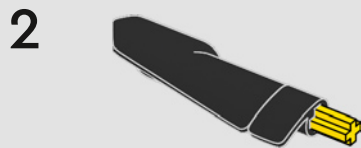
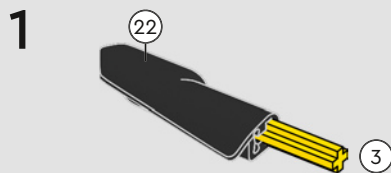


2

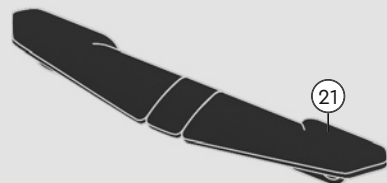




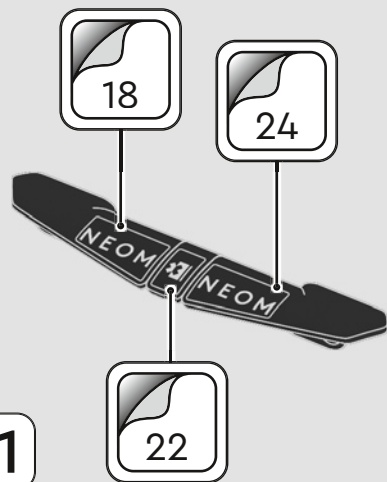
91

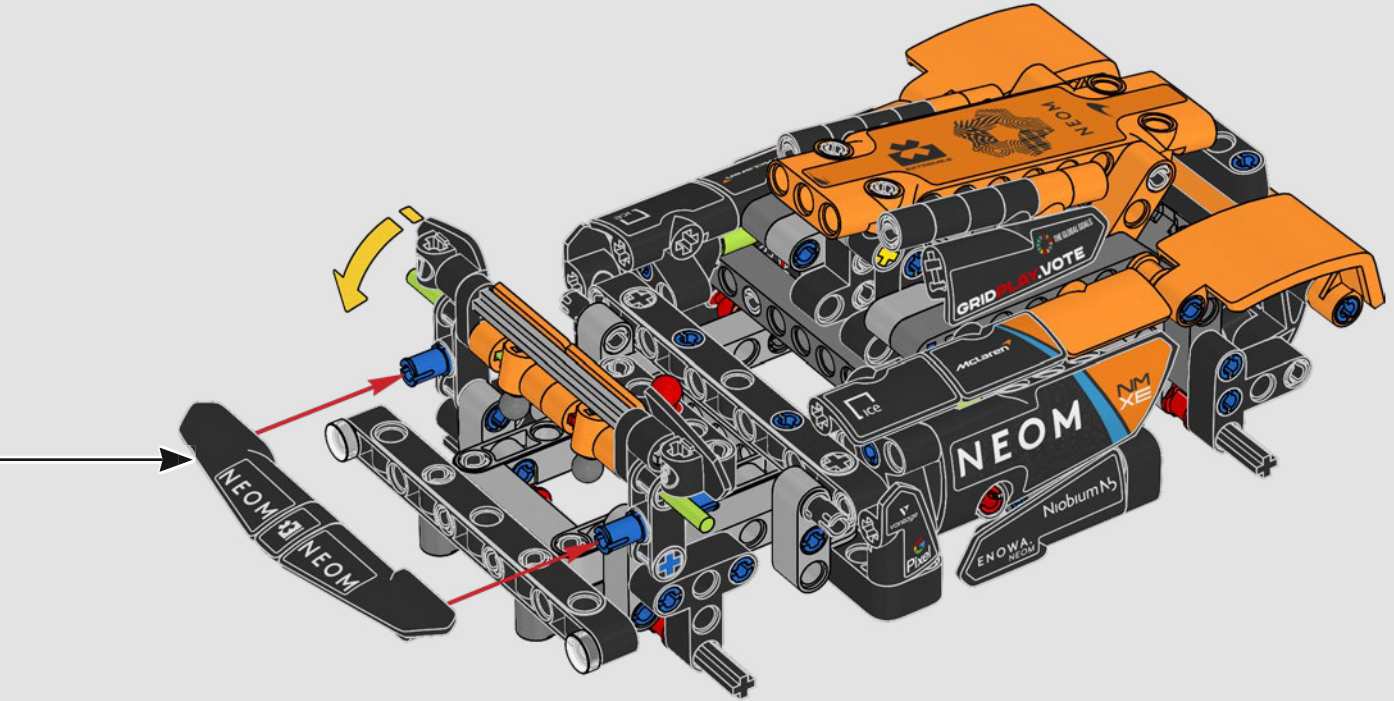


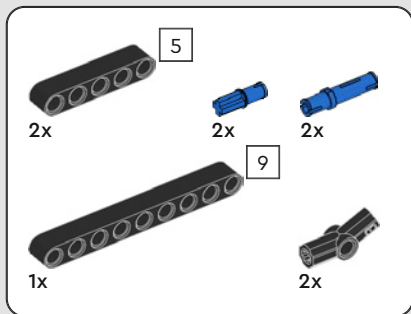
3



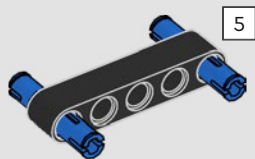
4



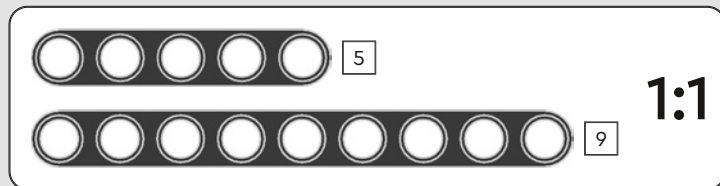
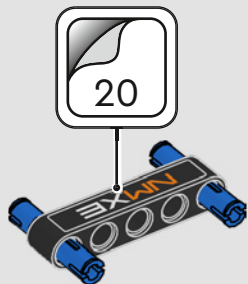




92 1



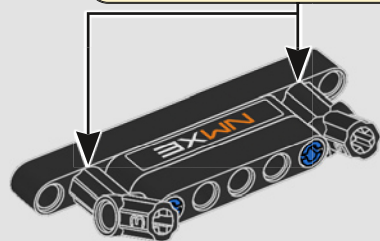
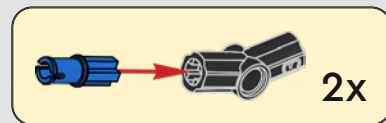
2

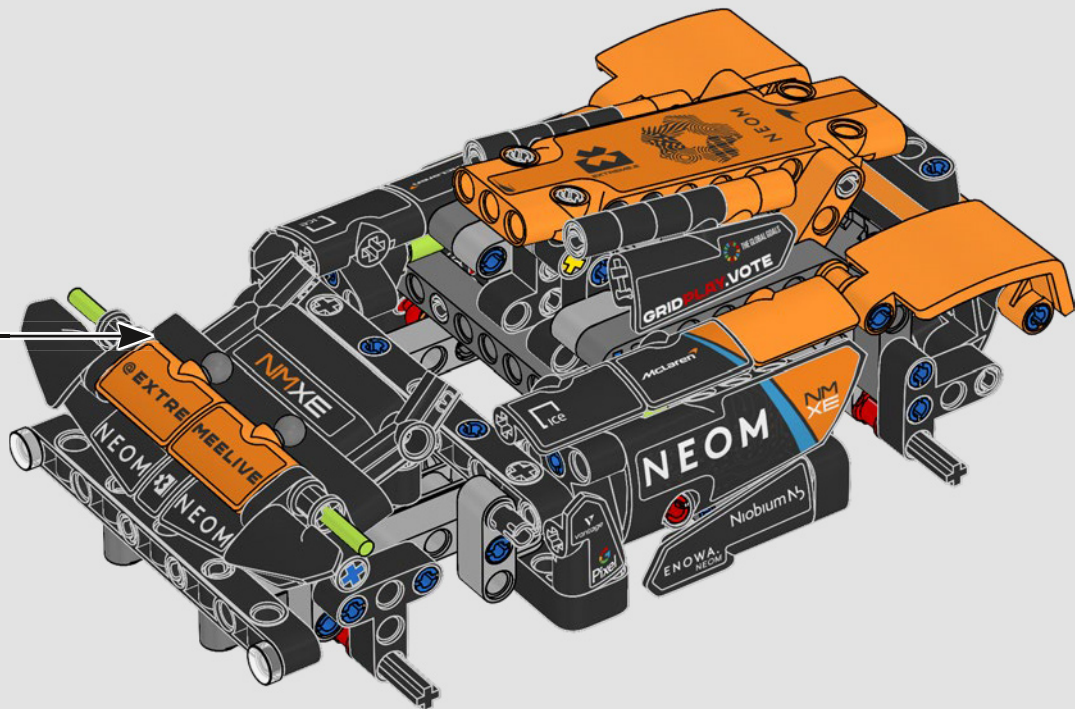


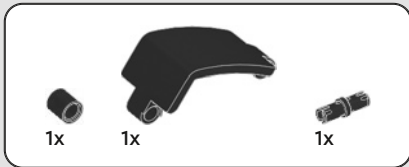
3



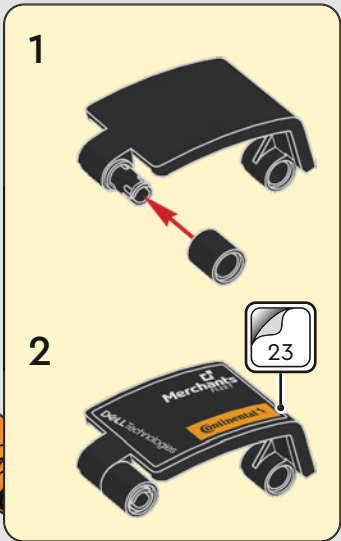
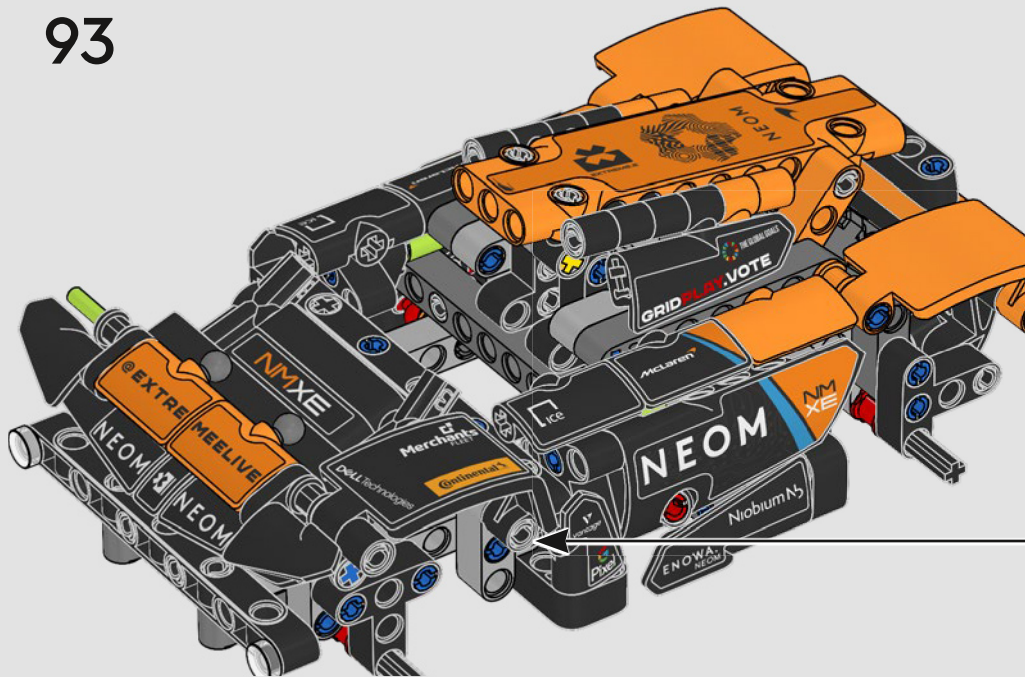
4



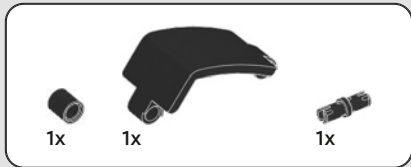




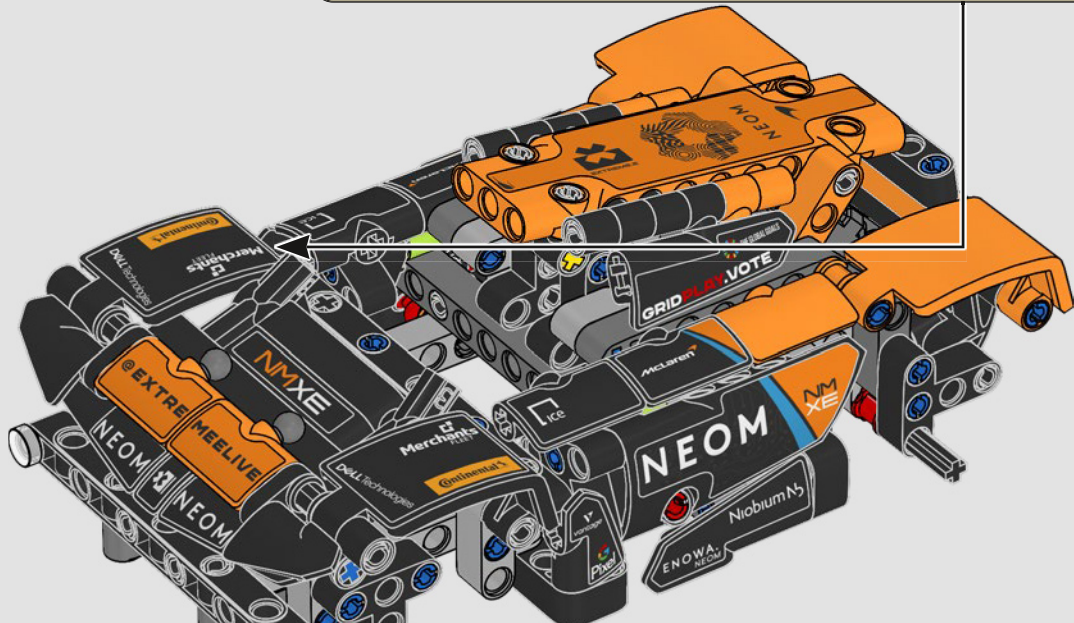
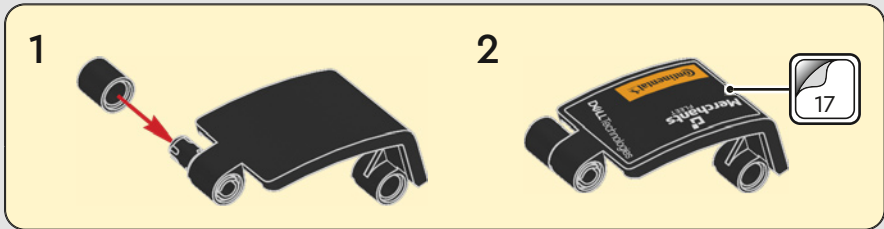
93

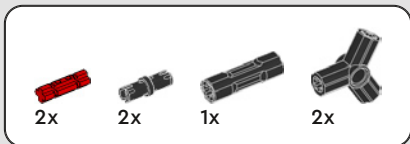






94



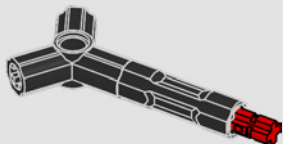


95

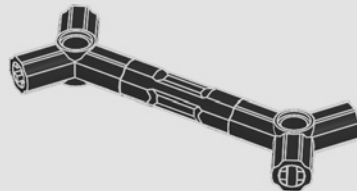
1



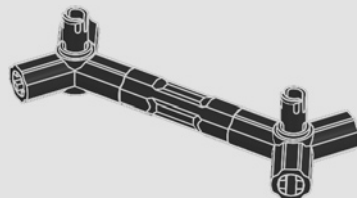
2



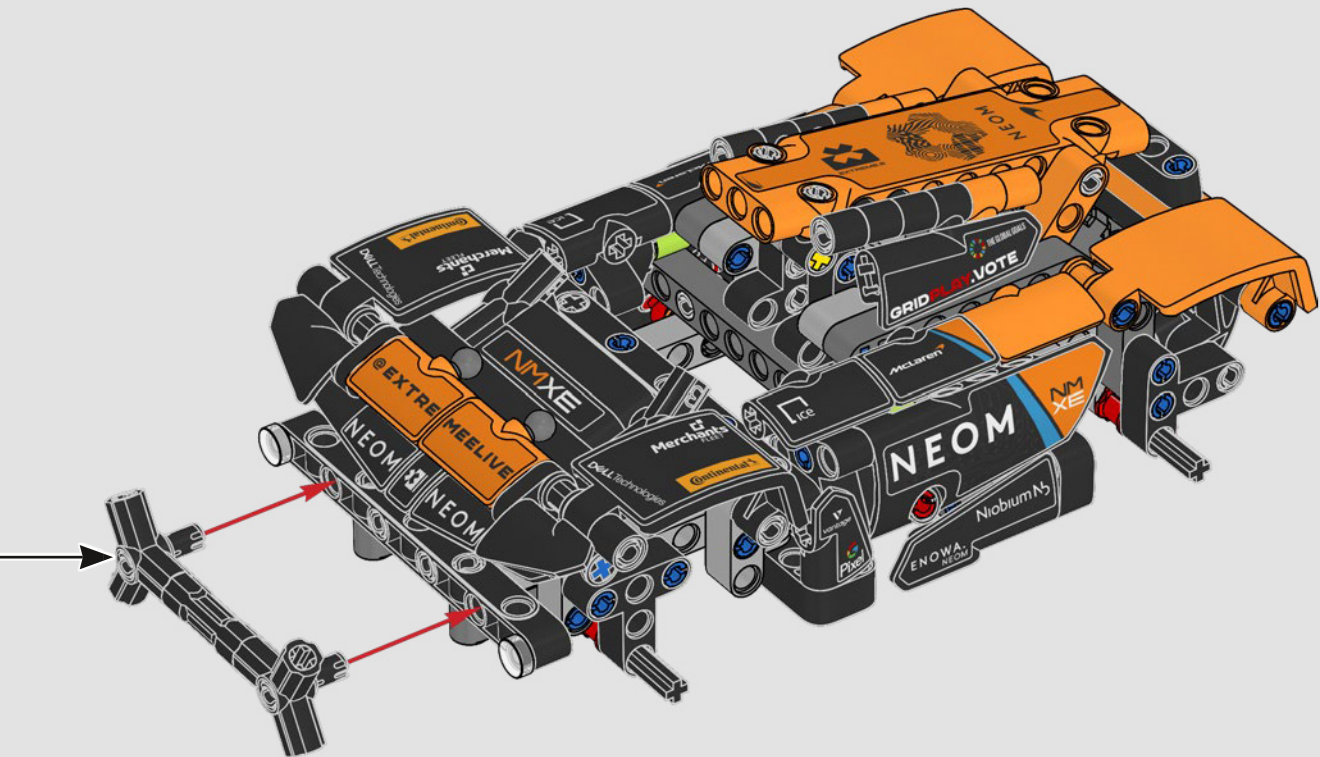
3



4



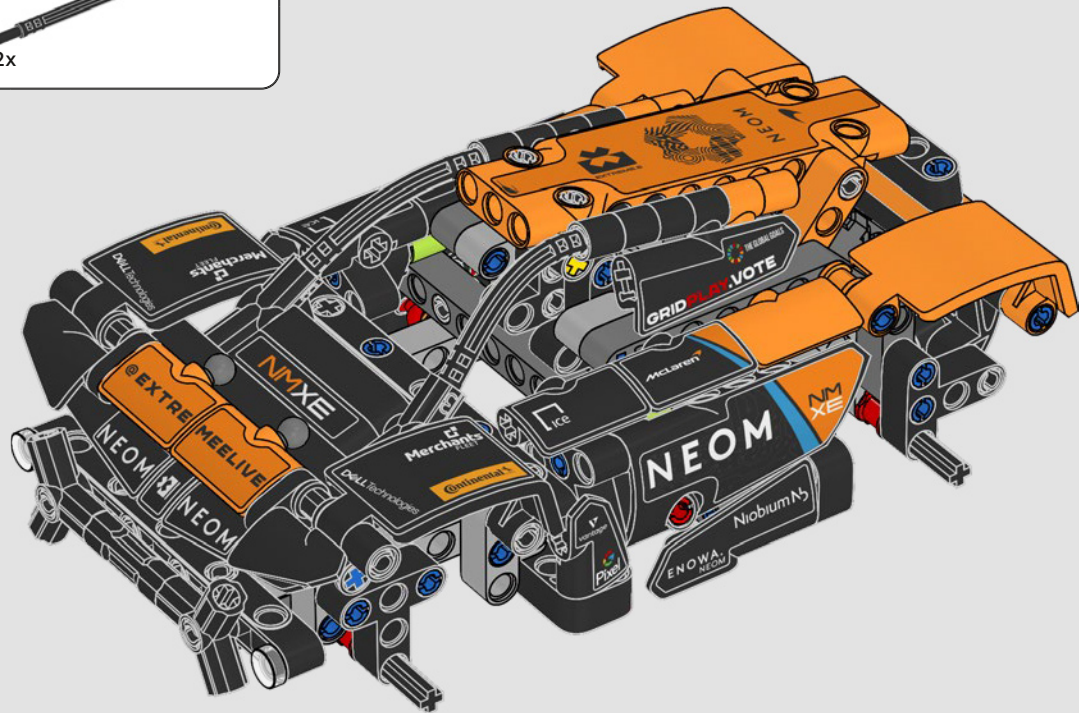


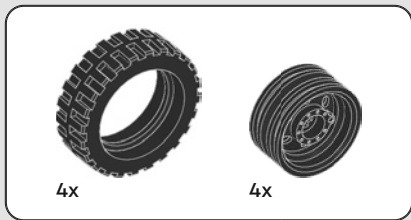




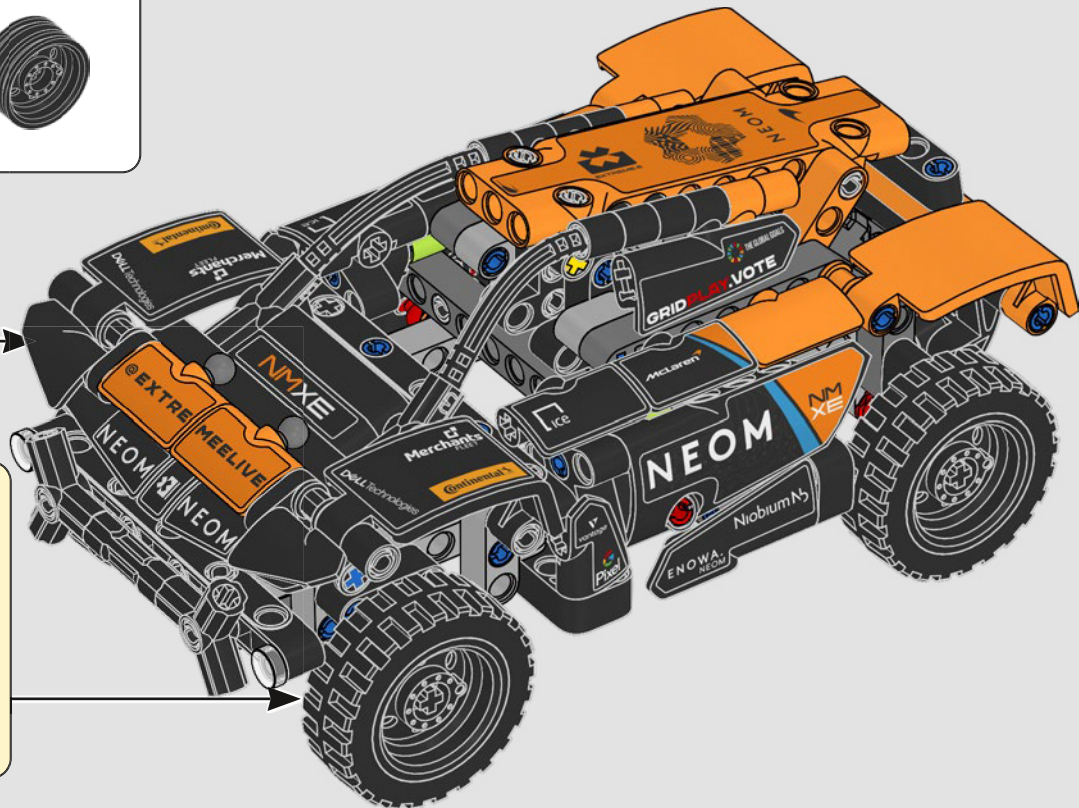
2x

96





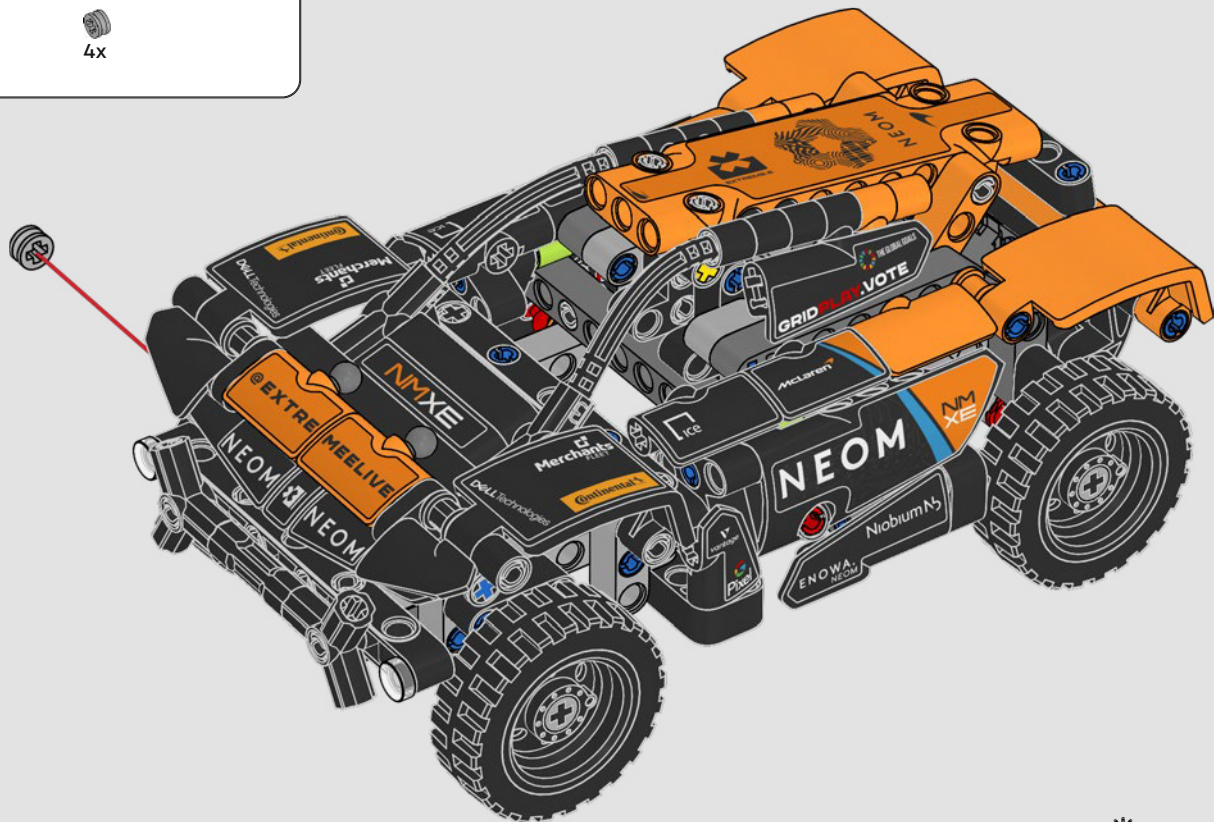
97



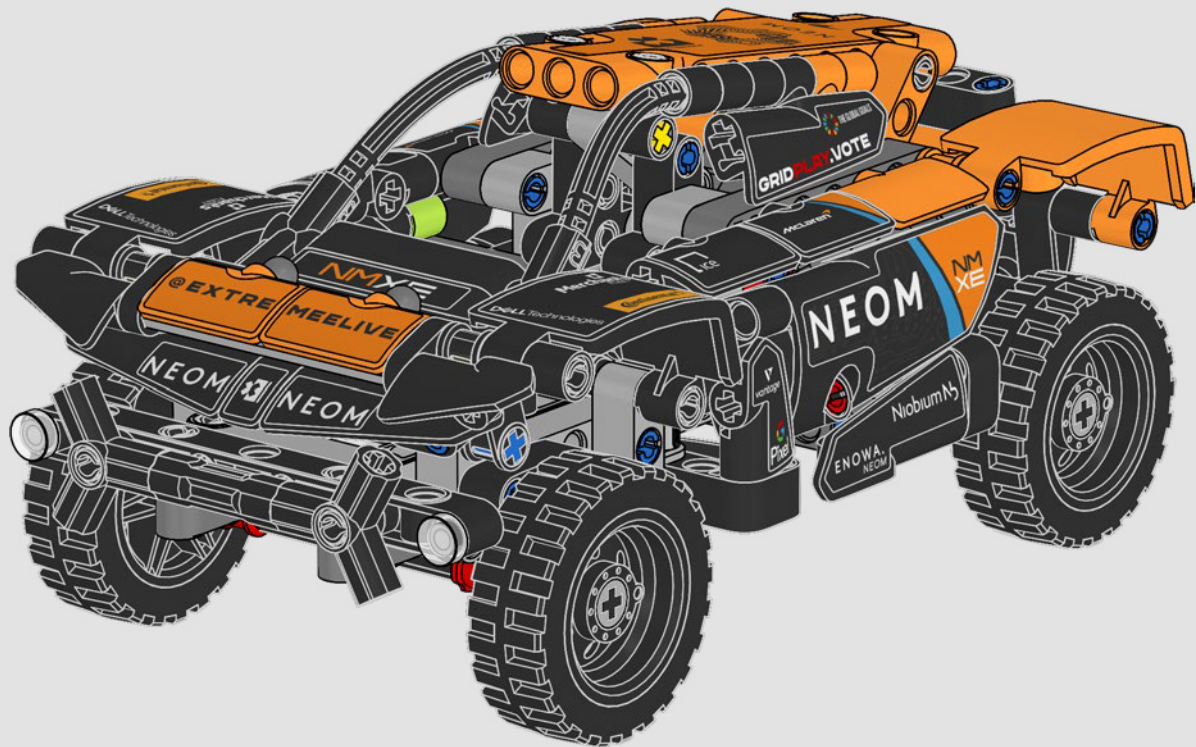


4x

98









# TECHNIC™





Rebuild  
the  
world™



4x  
6271820

3x  
6360104

11x  
4142865

2x  
4185664

22x  
4206482

29x  
6299413

2x  
6130007

6x  
6121485

2x  
6426589

3x  
6319983

1x  
6396456

2x  
6338428

2x  
6426590

3x  
6316923

40x  
6279875

10x  
6282140

2x  
6326047

2x  
6460708

2x  
6089119

2x  
6261386

2x  
6276951

8x  
4552347

1x  
6286381

4x  
6331026

1x  
4541325

1x  
4541924

4x  
6251174

2x  
6407066

4x  
4142135

4x  
4539268

2x  
6268012

2x  
6132744

1x  
6150082

1x  
4645732

2x  
6330585

2x  
370826

2x  
6460711

1x  
6339024

1x  
6143751

1x  
6339023

4x  
6358255

2x  
6214234

4x  
6390390

2x  
6347790

2x  
6102618

2x  
6274738

2x  
6302741

4x  
6327442

4x  
6271165

2x  
6261375

4x  
6331441

1x  
4539880

2x  
4522934

2x  
4211713

1x  
4535768

2x  
4211655

3x  
6271831

4x  
6395635

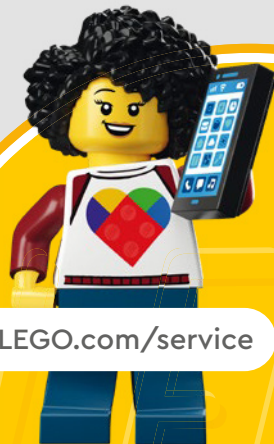
2x  
6364352

2x  
6273715

2x  
6271155

2x  
4603472

 [LEGO.com/service](https://www.LEGO.com/service)





YOU COULD  
**WIN**



Scan this QR code or go to  
**LEGO.COM/PRODUCTFEEDBACK** and give us  
your short feedback about this LEGO® set for  
a chance to win a cool LEGO prize.

Terms and Conditions apply\*



**EN: YOU COULD WIN.** Terms and Conditions apply\* **DE: Du könntest GEWINNEN.** Es gelten die Teilnahmebedingungen\* **FR: Tu pourrais GAGNER.** Des conditions s'appliquent\* **IT: Potresti VINCERE tu.** Termini e condizioni sono applicabili\* **ES: Puedes GANAR.** Aplican términos y condiciones\* **PT: Poderá GANHAR.** Aplicam-se termos e condições\* **ZH: 轻松获奖. 条款和条件适用\*** **PL: Szansa na WYGRANĄ.** Obowiązują warunki korzystania\* **CS: Máte šanci VYHRÁT.** Platí všeobecné smluvní podmínky\* **SK: Máte šancu VYHRAŤ.** Platia všeobecné zmluvné podmienky\* **HU: TE IS NYERHETSZ.** Felhasználási feltételek érvényesek\* **RO: Ai putea CÂȘTIGA.** Se aplică termenii și condiții\* **BG: Можете да СПЕЧЕЛИТЕ.** Има определени правила и условия\* **LV: Tu vari LAIMĒT.** Ir spēkā noteikumi un nosacījumi.\* **ET: Sul on võimalus VÕITA.** Kehtivad tingimused\* **LT: Jūs galite LAIMĖTI.** Taikomos sąlygos\*

\*[LEGO.com/productfeedback-terms](https://www.lego.com/productfeedback-terms)

LEGO and the LEGO logo are trademarks of the LEGO Group. ©2024 The LEGO Group.  
Manufactured under license from McLaren Racing Limited. 'McLaren' is a trademark of McLaren Services Limited.  
This product is under license under the Extreme E Ltd brand.

6495259