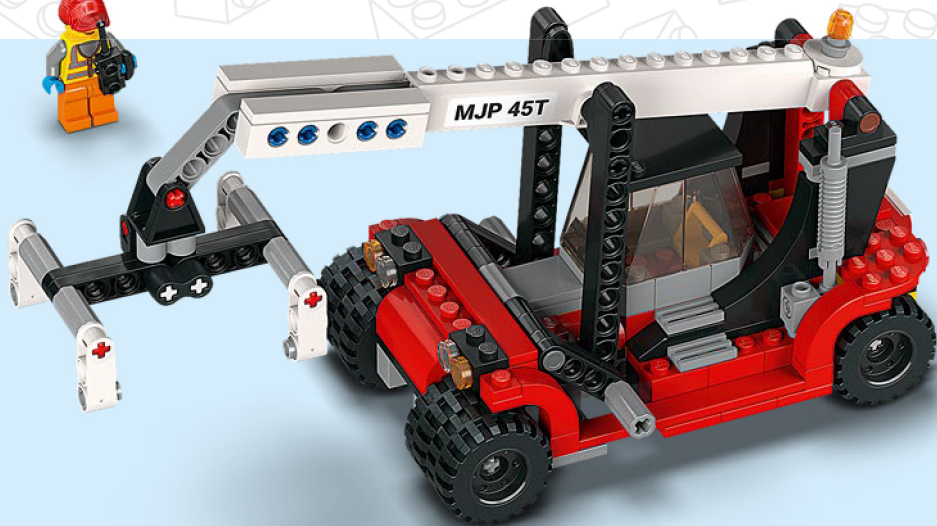


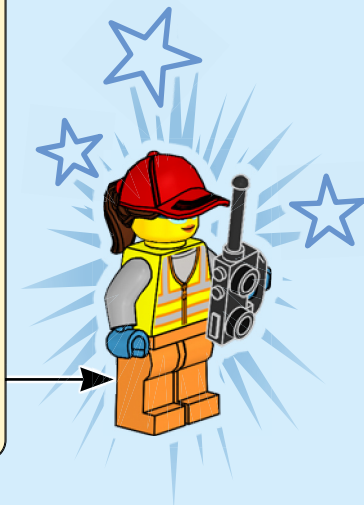
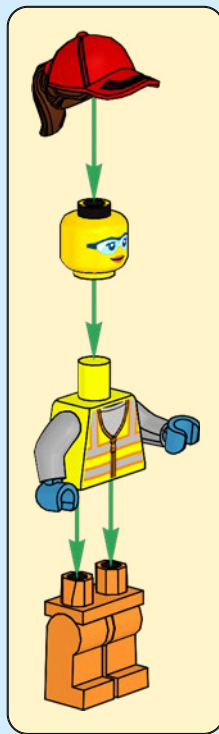


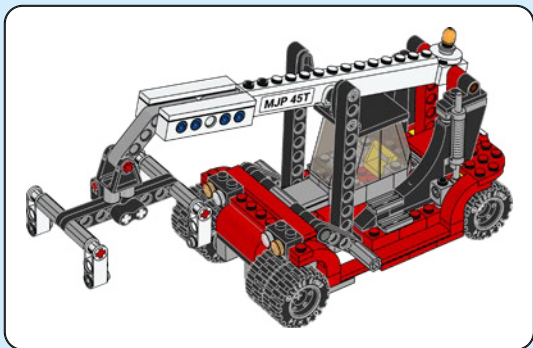
CITY

60336



WARNING: CHOKING HAZARD. Toy contains small parts and a small ball. Not for children under 3 years.





AVERTISSEMENT :

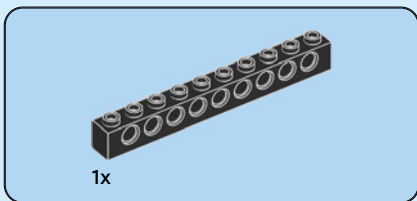
RISQUE D'ÉTOUFFEMENT. Le jouet contient des petites pièces ainsi qu'une petite boule. Il ne convient pas aux enfants de moins de 3 ans.



ADVERTENCIA:

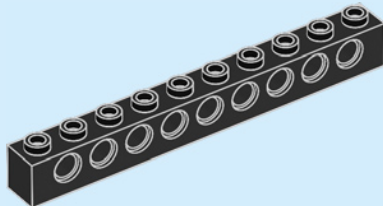
PELIGRO DE ASFIXIA.

Juguete que contiene partes pequeñas y una pelota pequeña. No recomendado para niños menores de 3 años.



1x

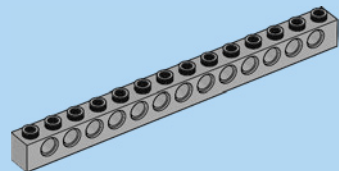
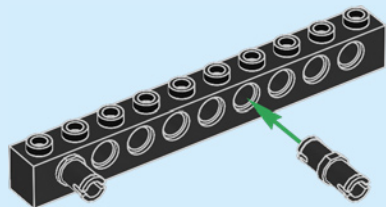
1





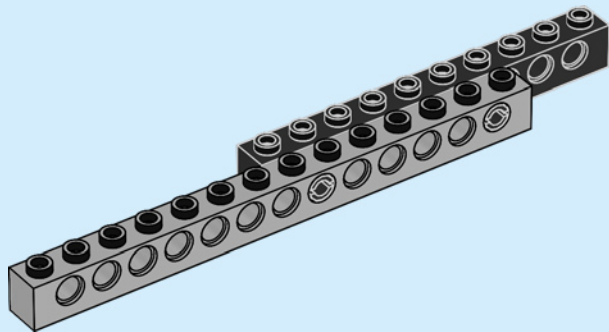
2x

2



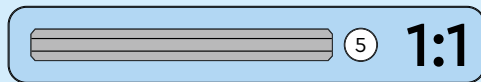
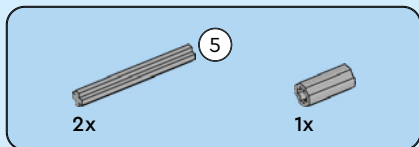
1x

3

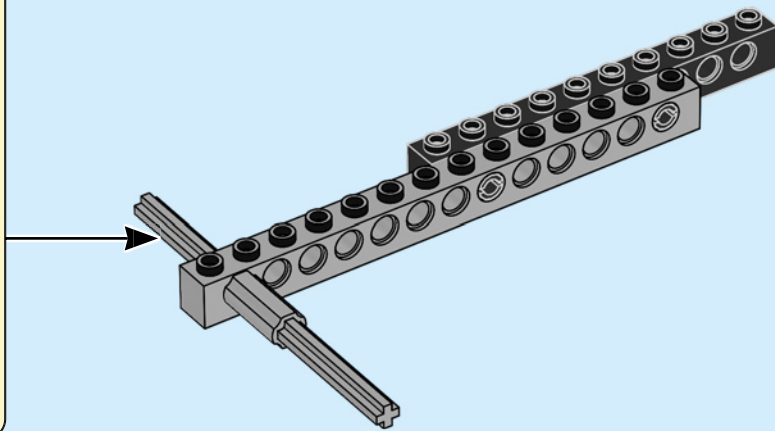
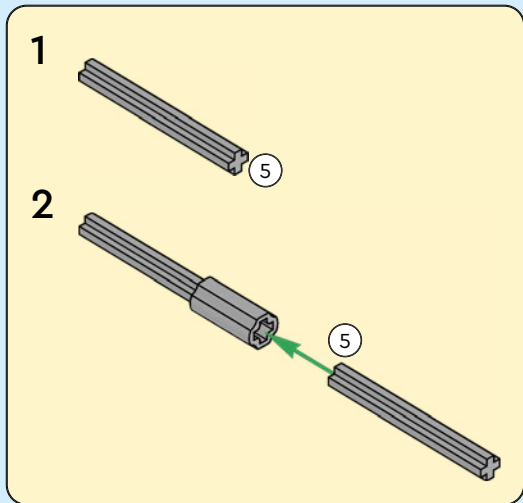


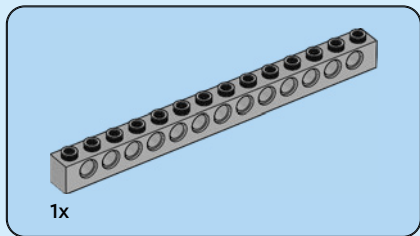
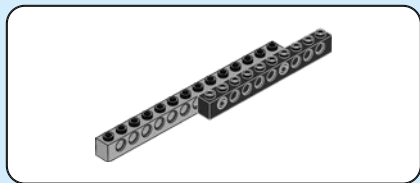
4



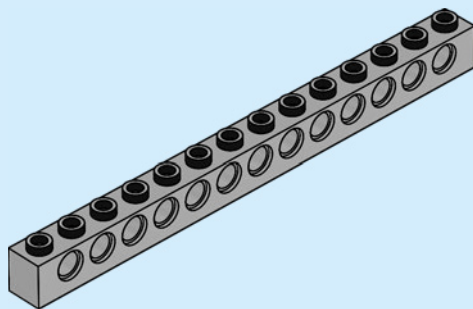


4





5



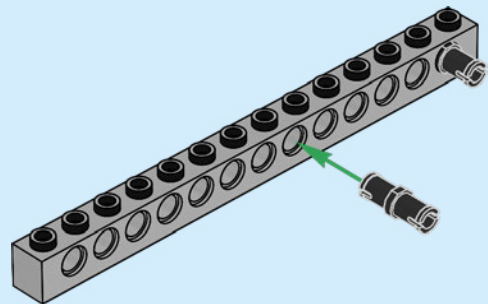
6





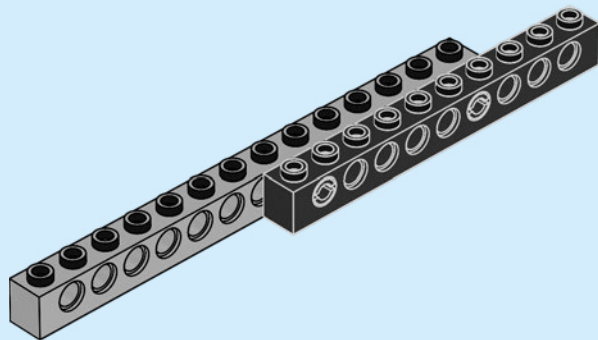
2x

6

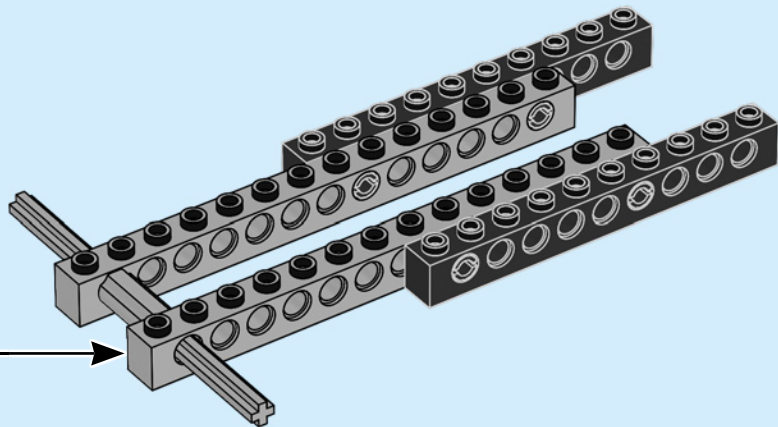


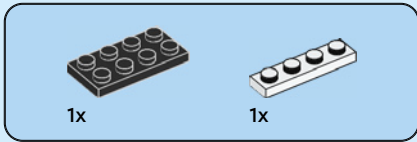
1x

7

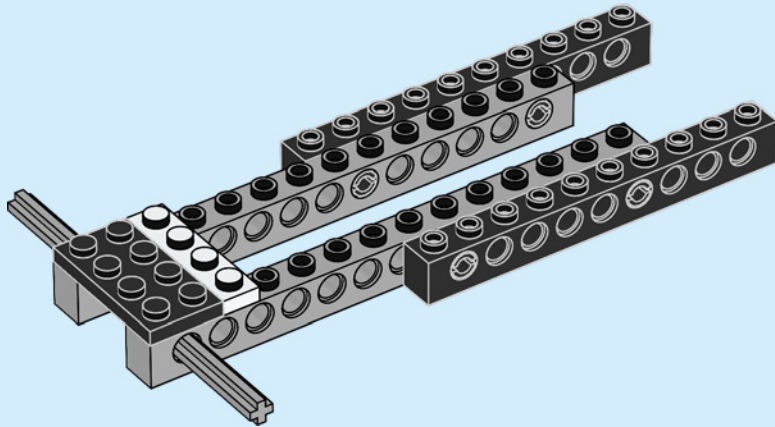


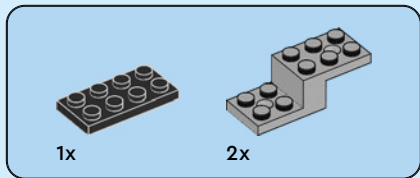
8



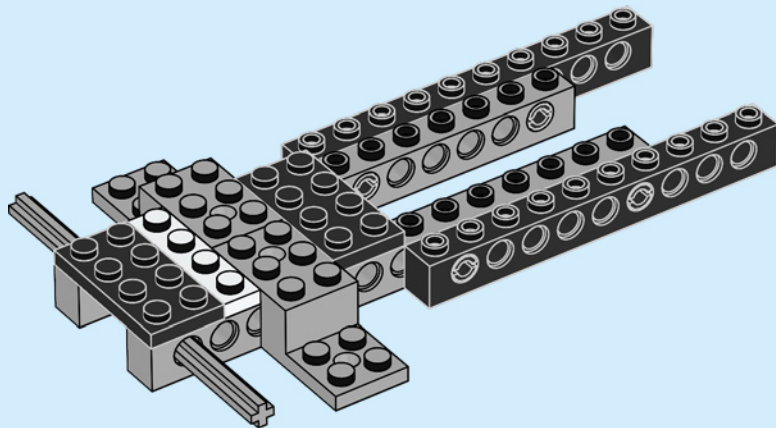


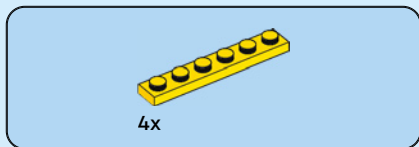
9



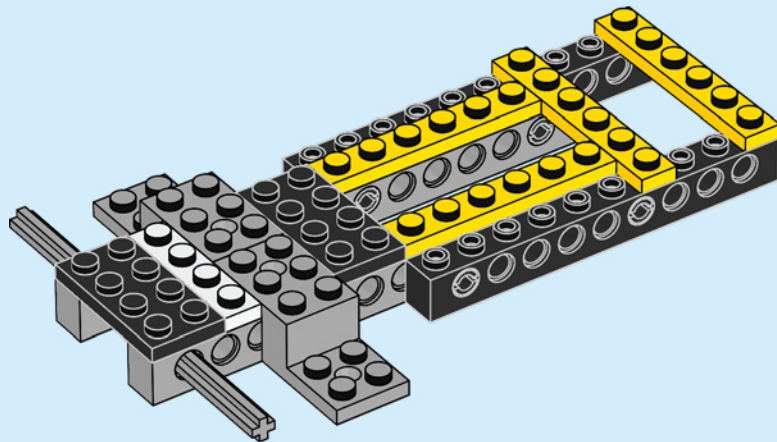


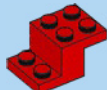
10





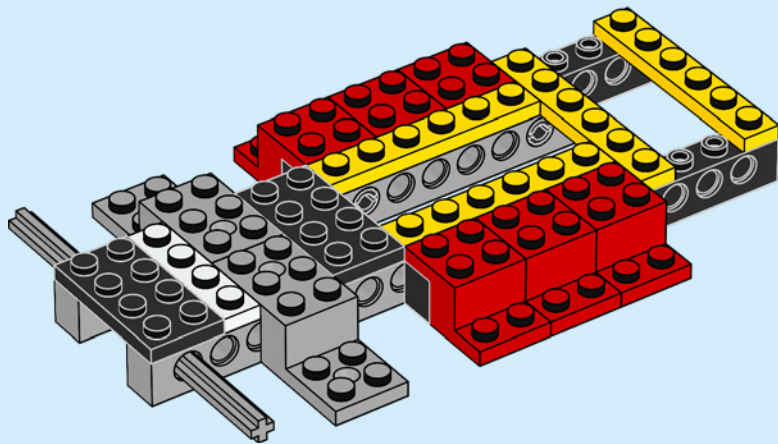
11

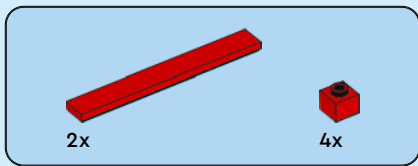




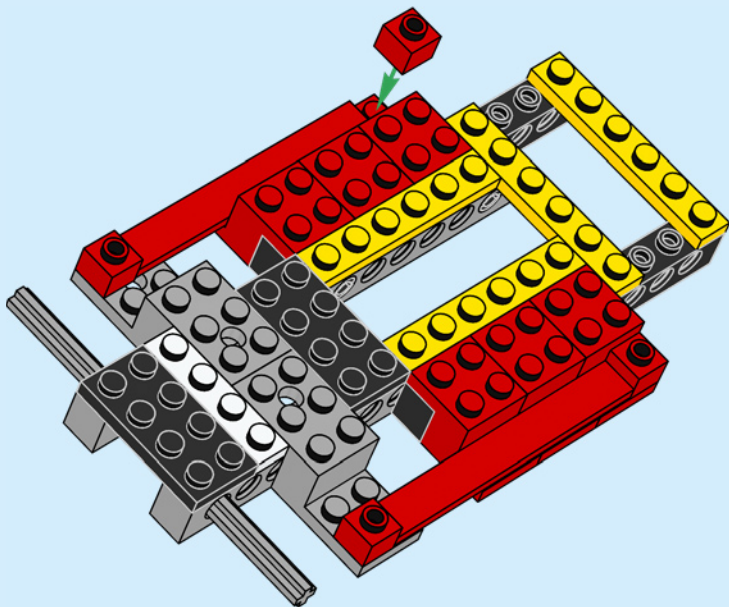
6x

12





13



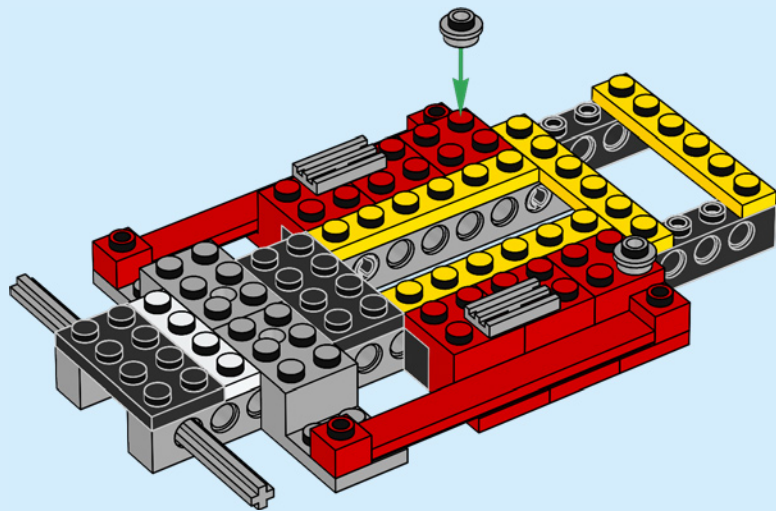


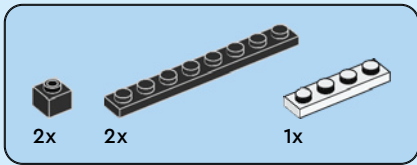
2x



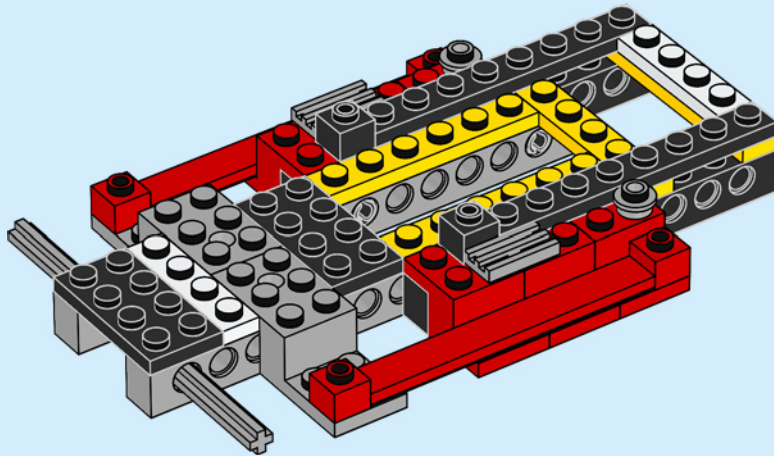
2x

14





15



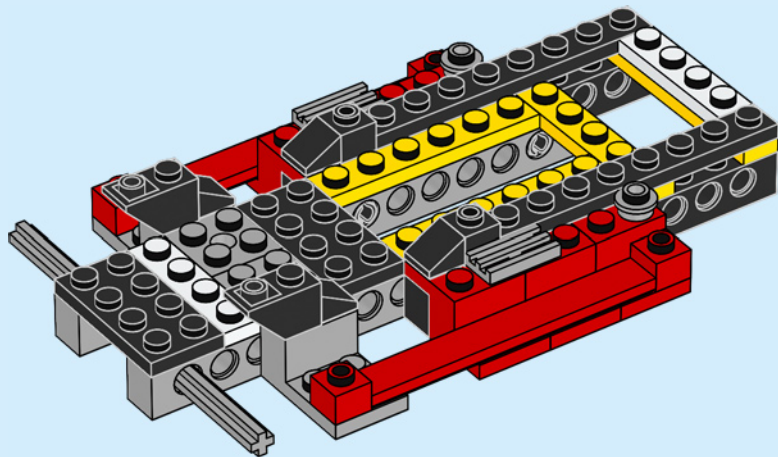


2x



4x

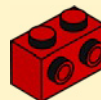
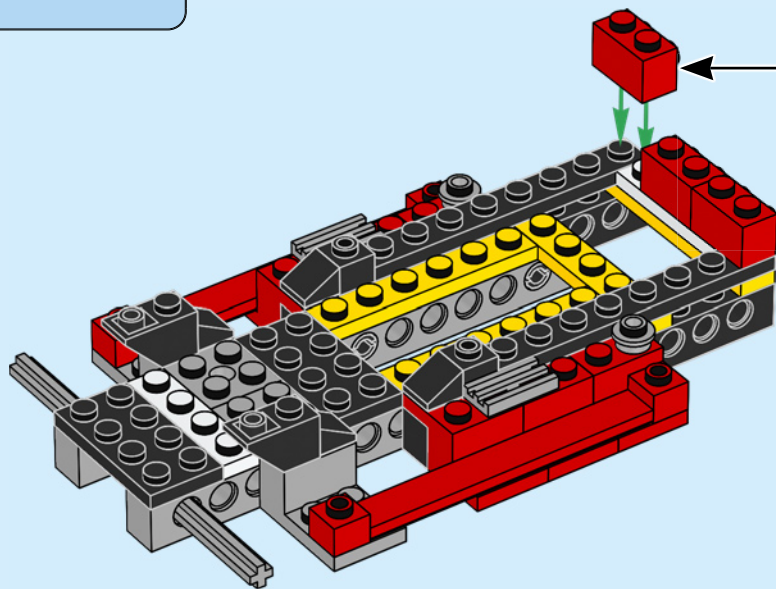
16



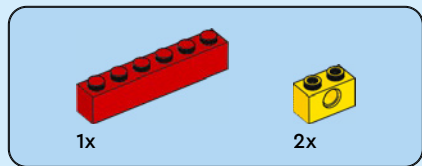


3x

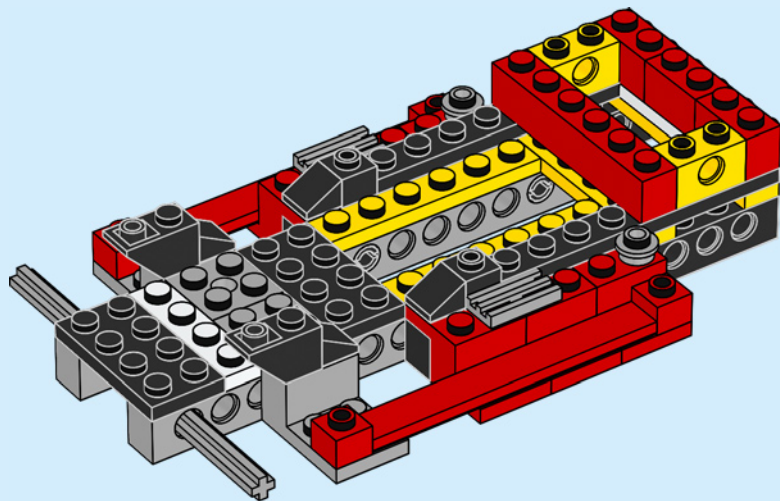
17

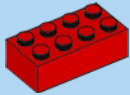


3x



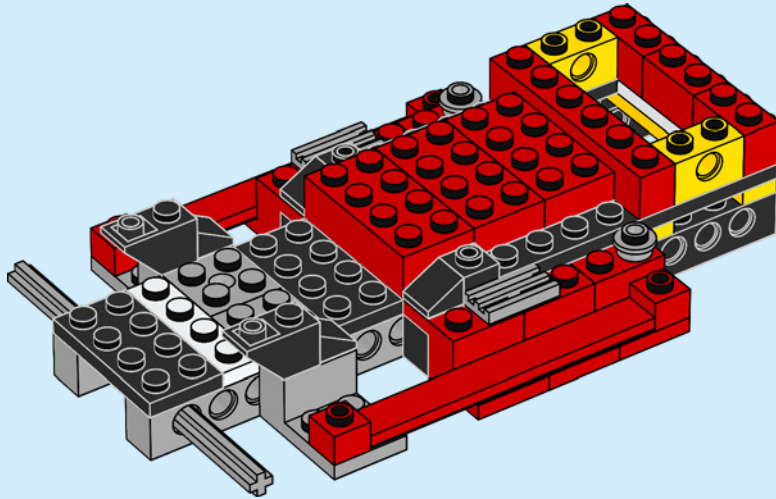
18

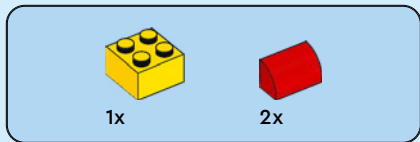




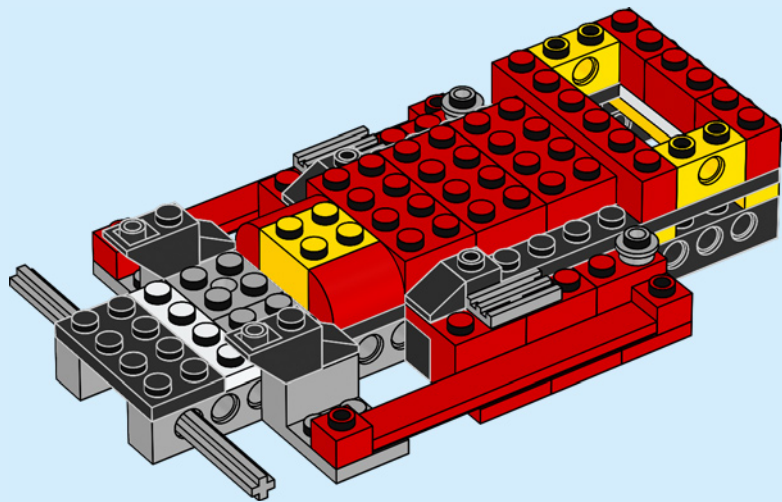
3x

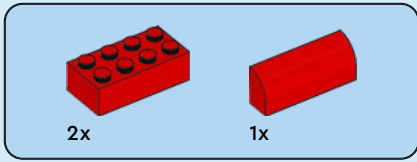
19



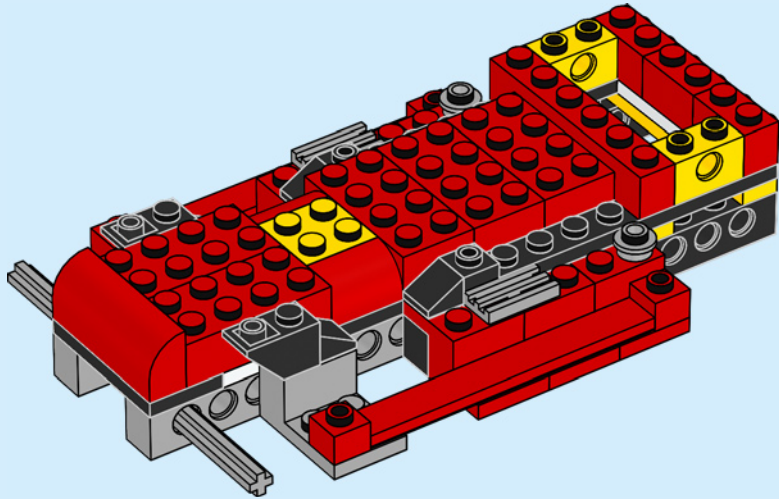


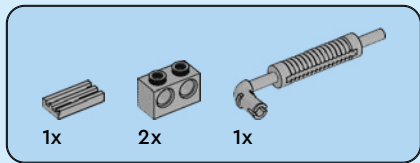
20



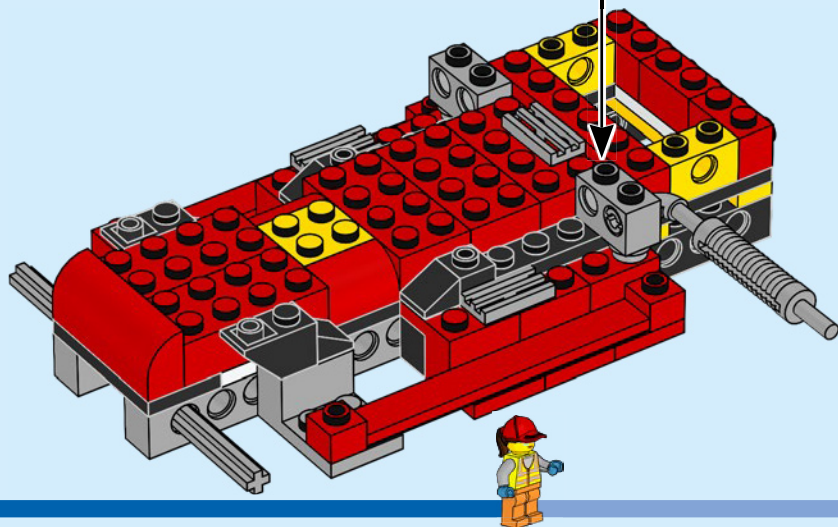
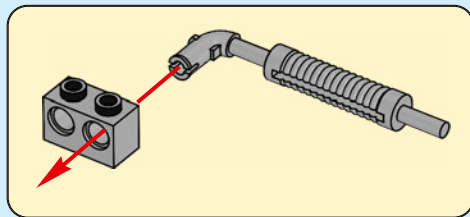


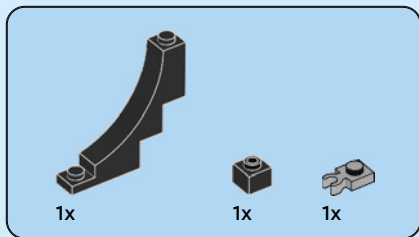
21



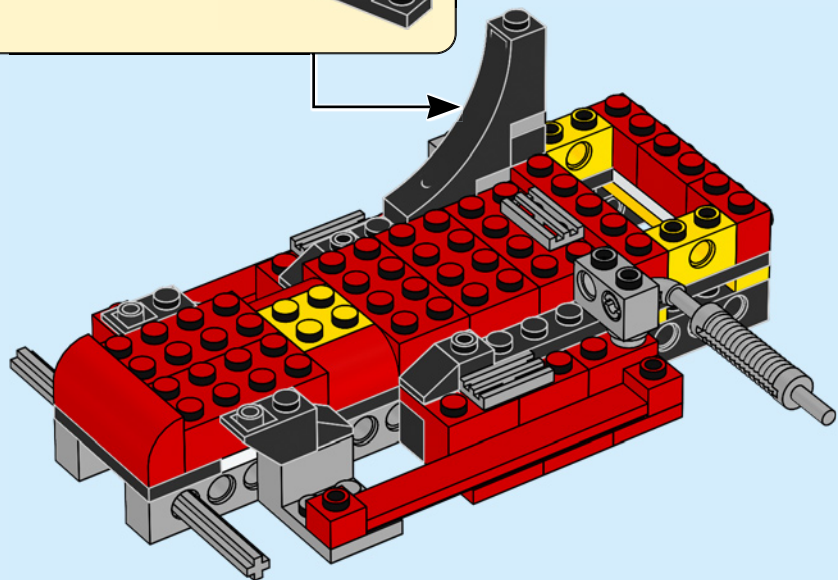
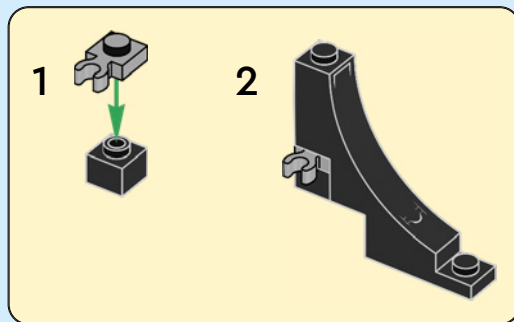


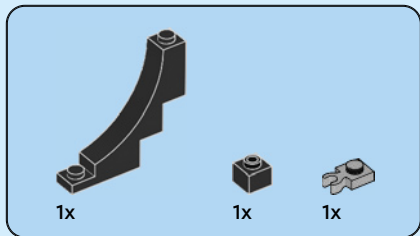
22



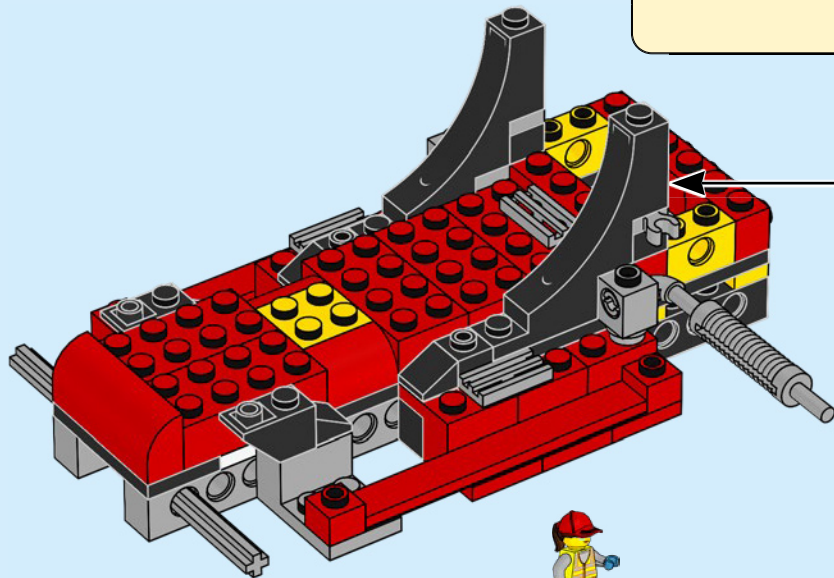
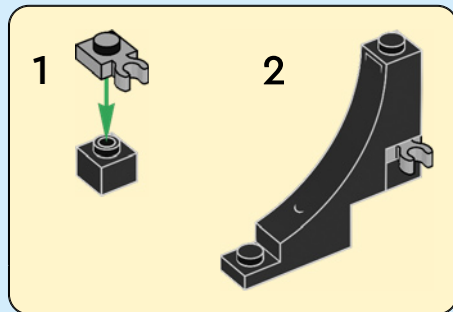


23





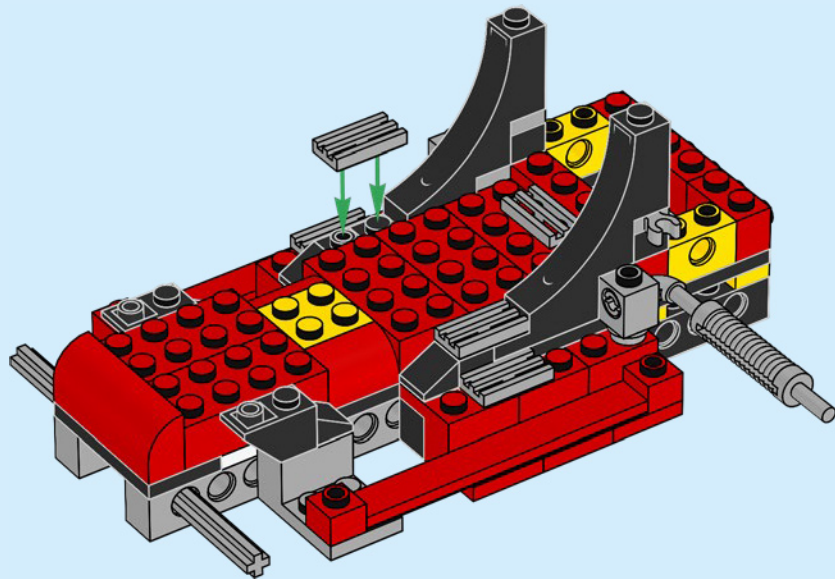
24



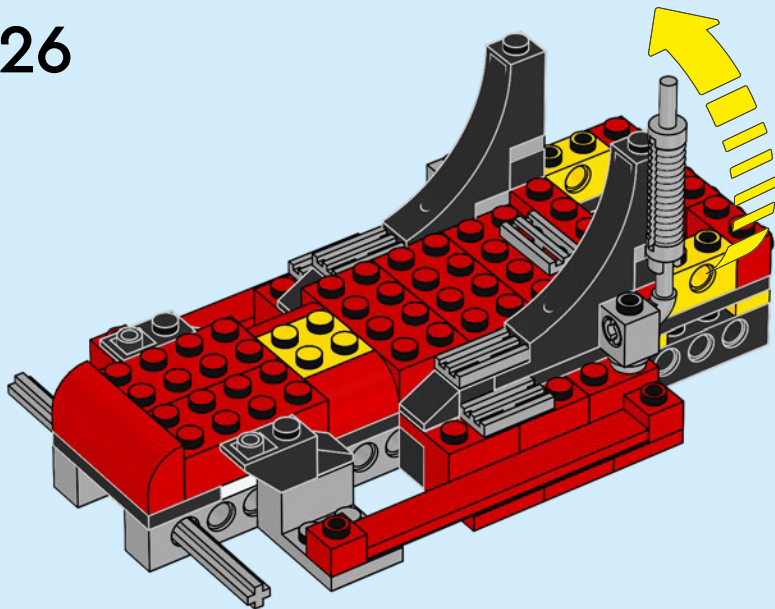


2x

25



26





1x

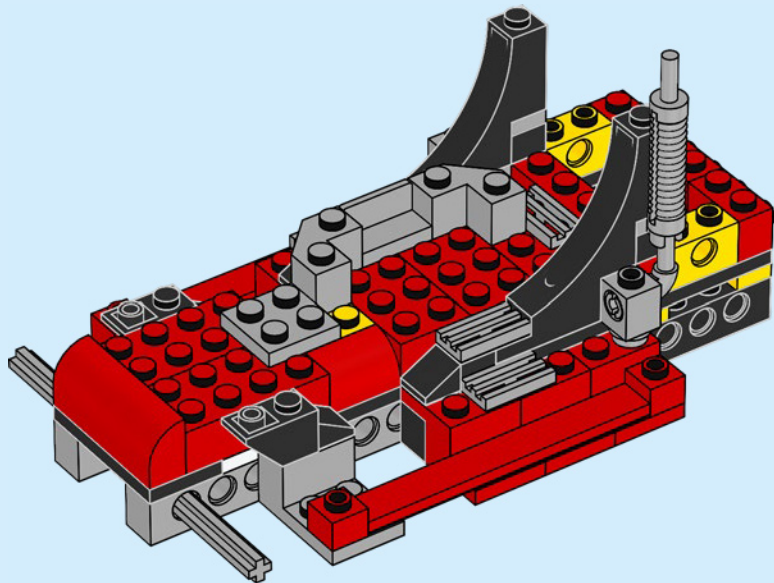


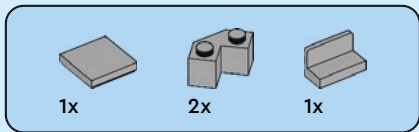
2x



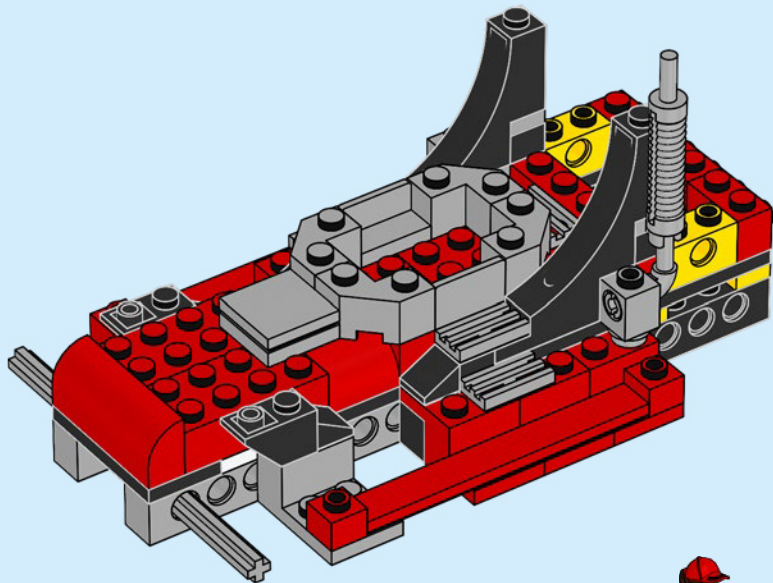
1x

27





28



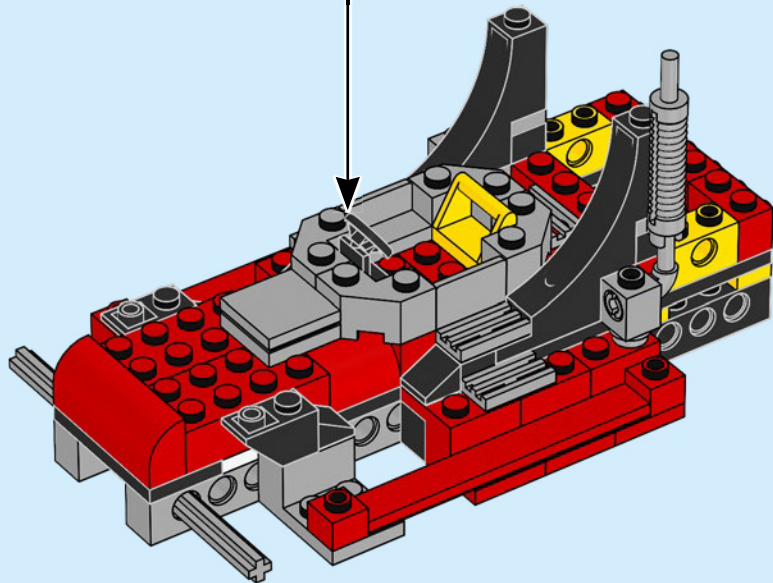


1x



1x

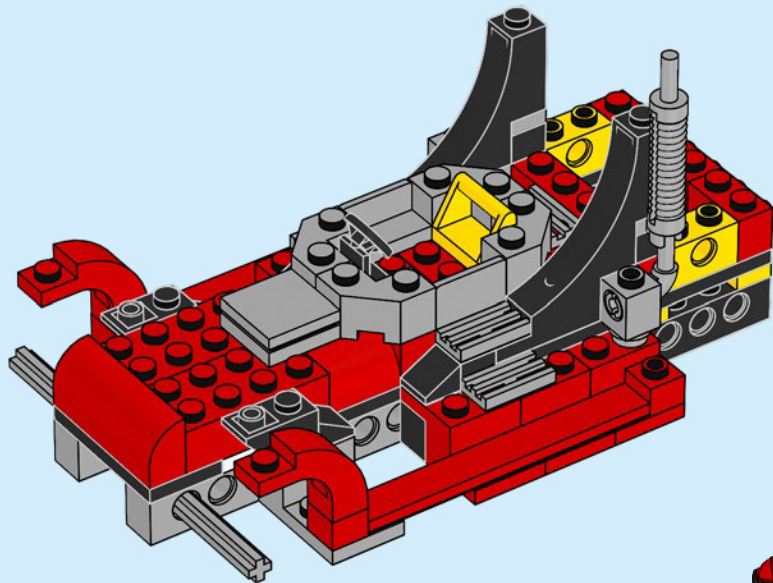
29

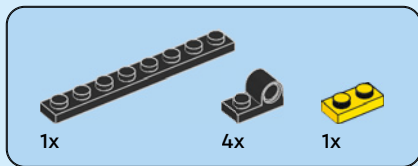




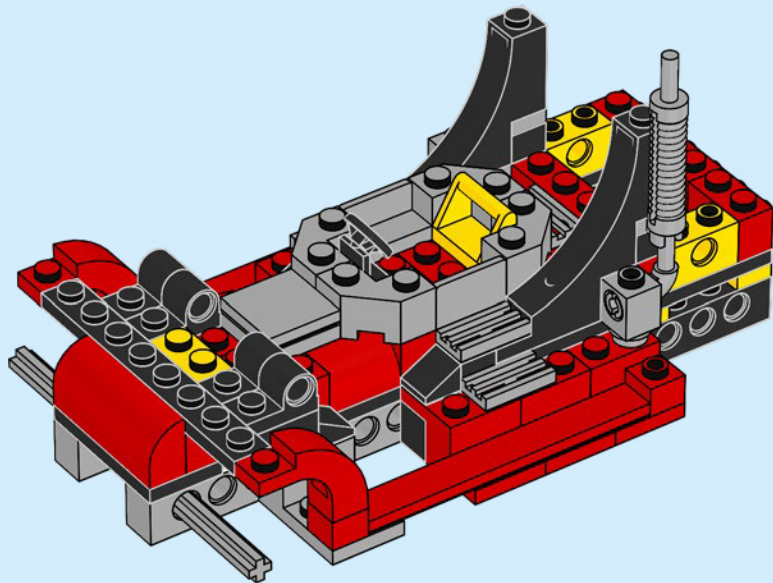
2x

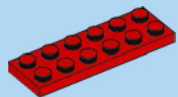
30





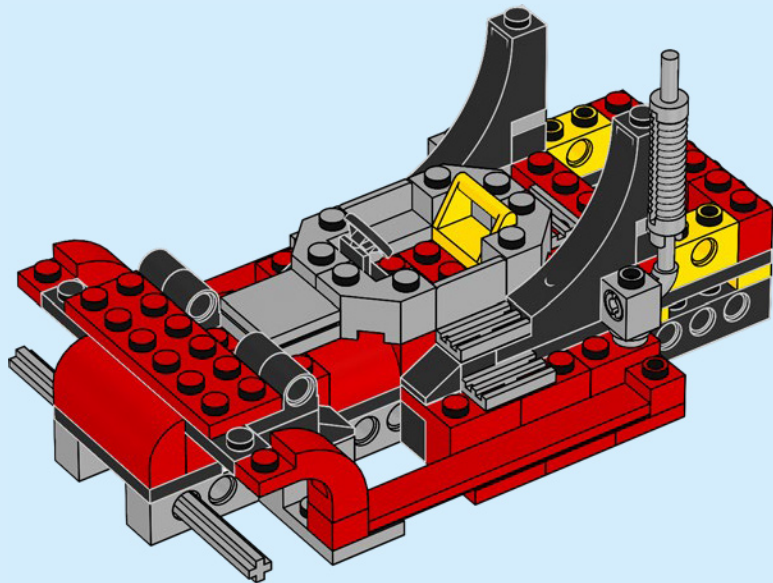
31





1x

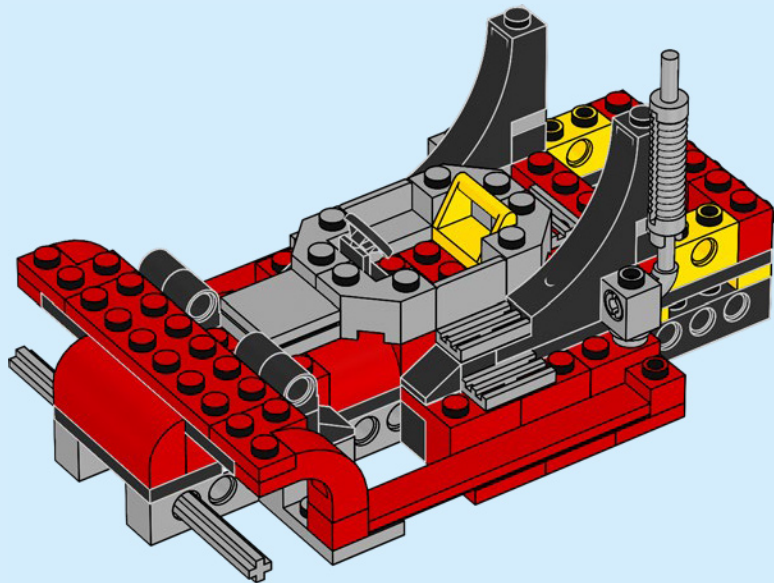
32

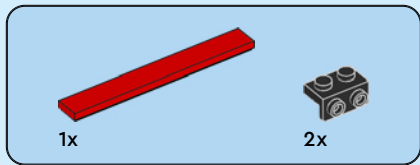




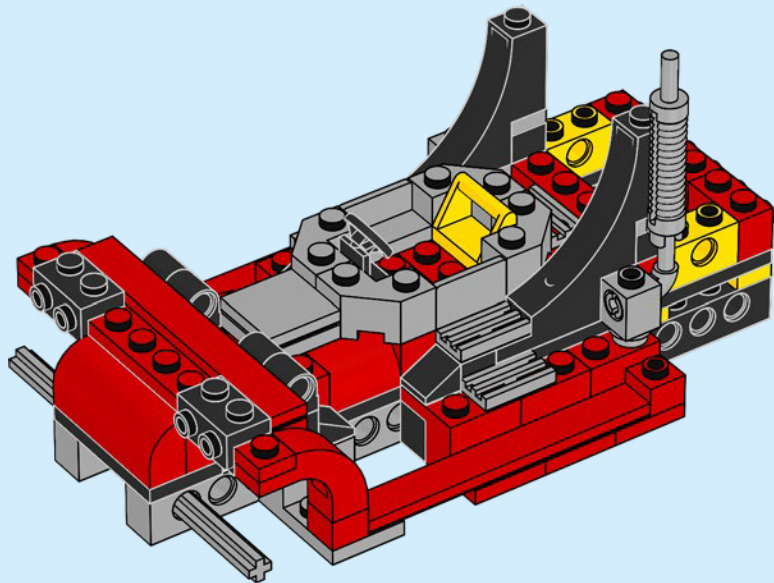
2x

33





34



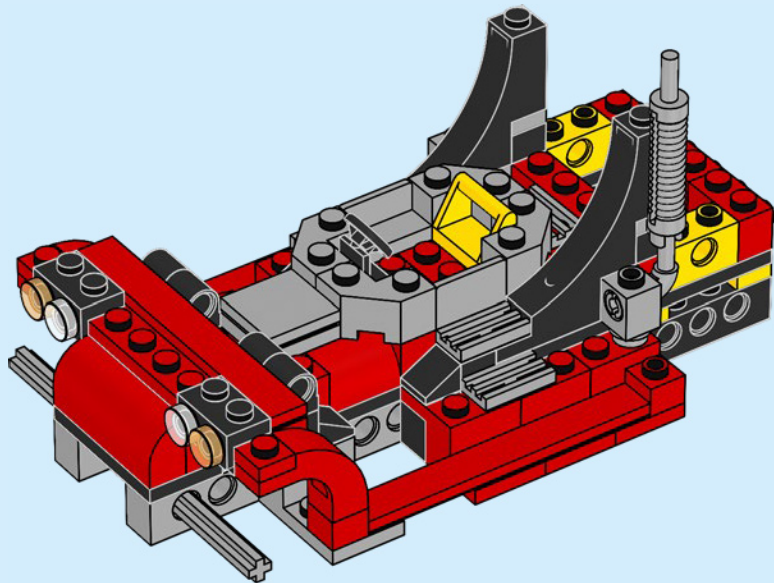


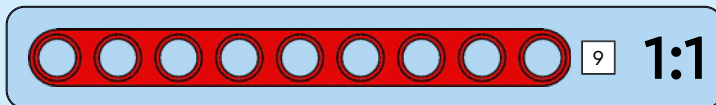
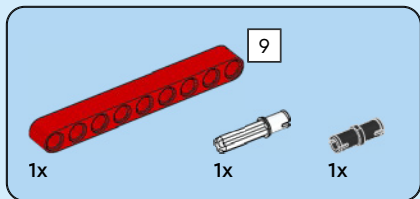
2x



2x

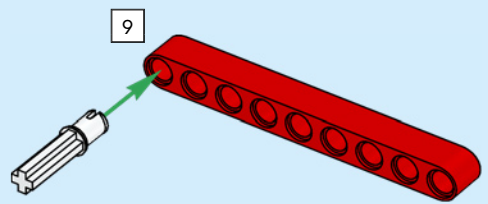
35



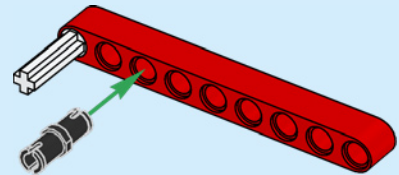


36

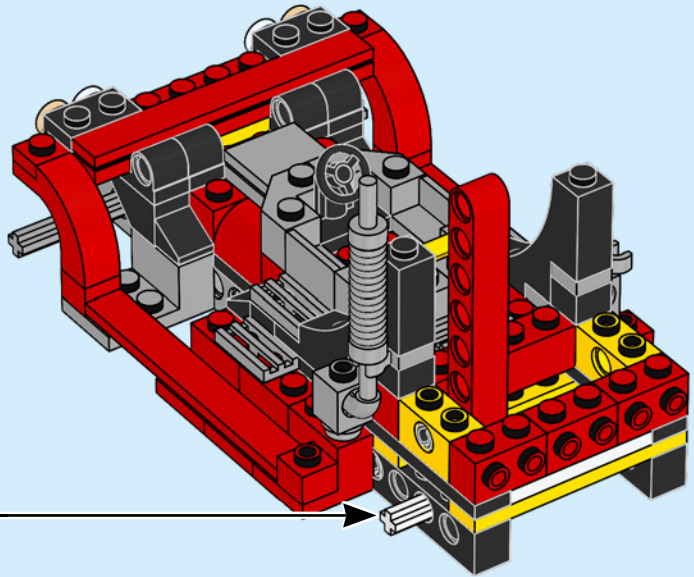
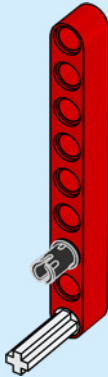
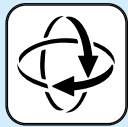
1

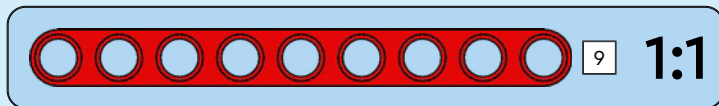
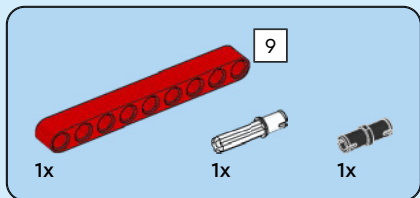


2



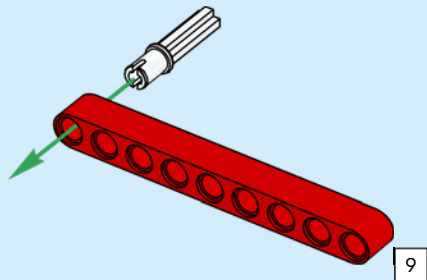
3



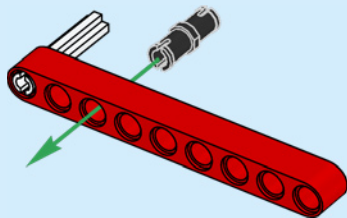


37

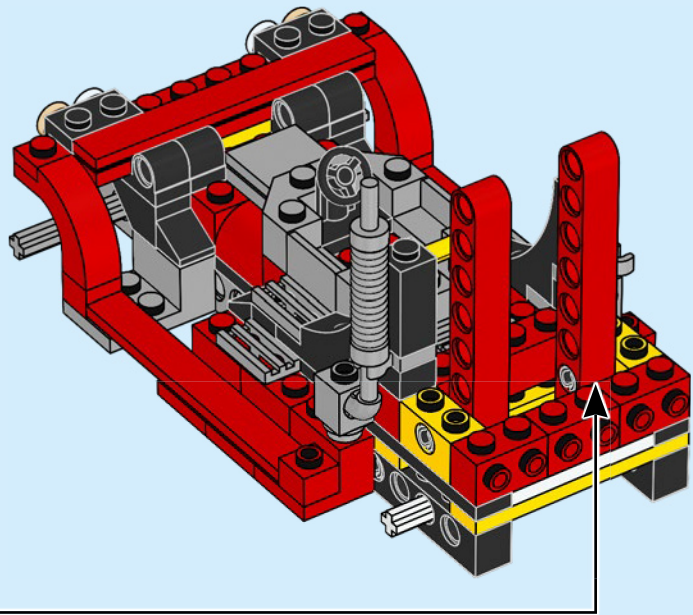
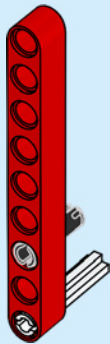
1



2



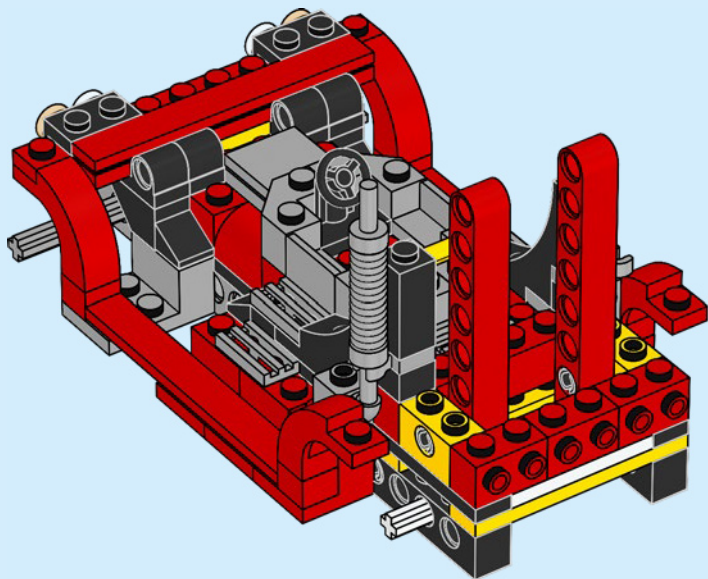
3

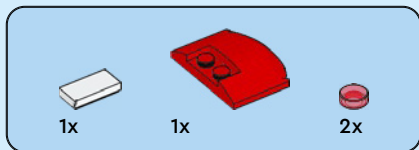




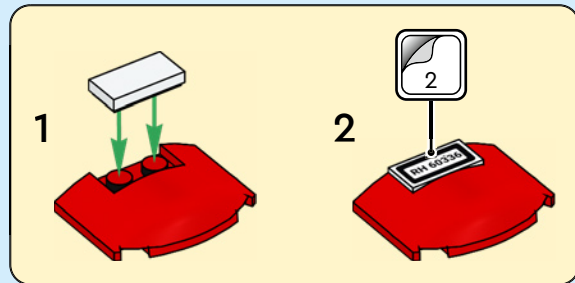
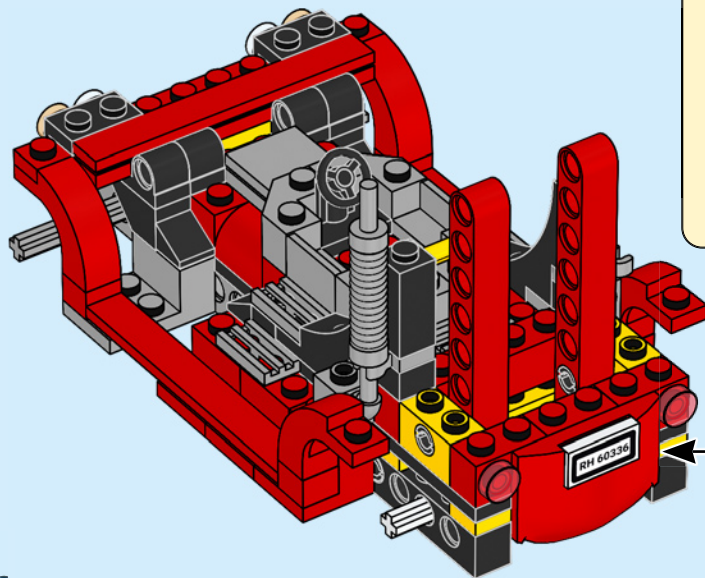
2x

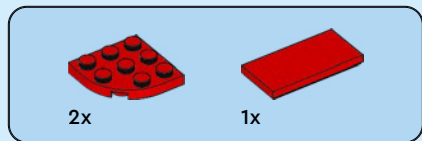
38



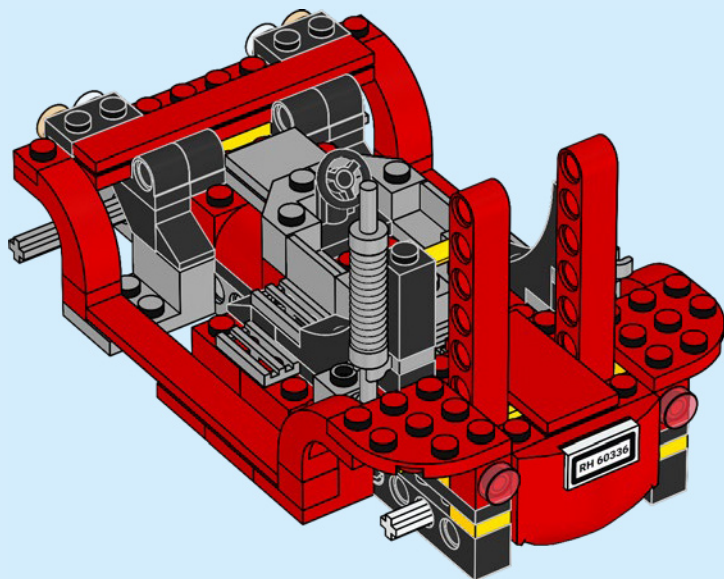


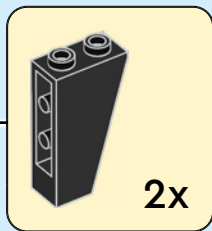
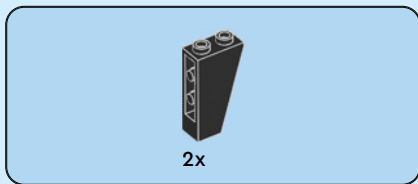
39



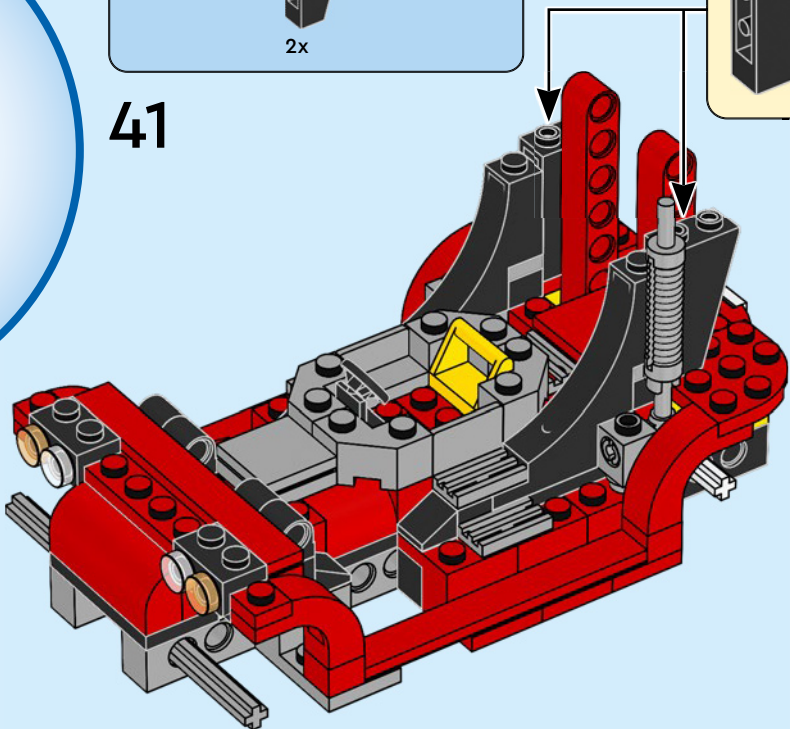


40





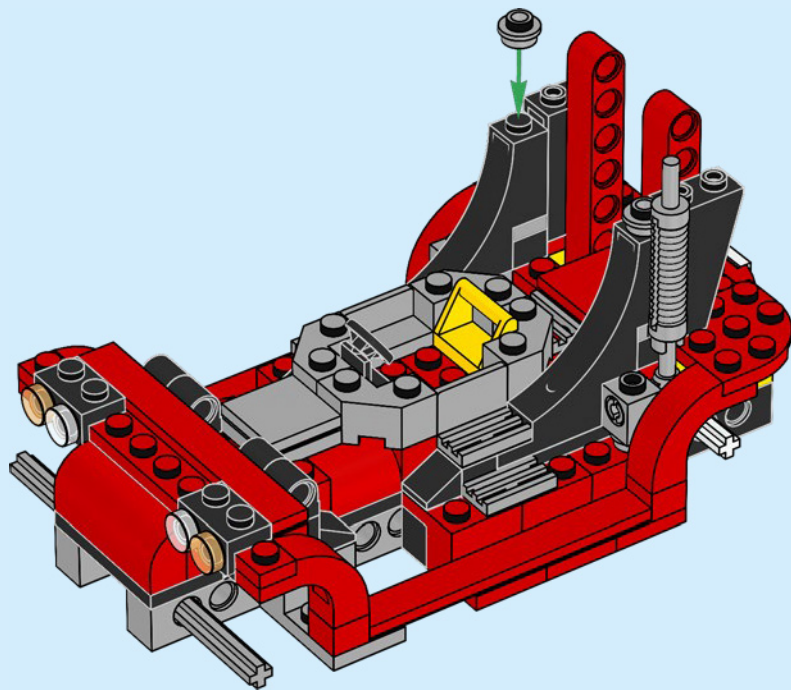
41

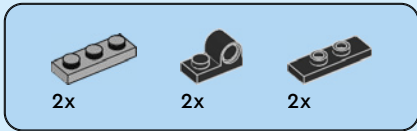




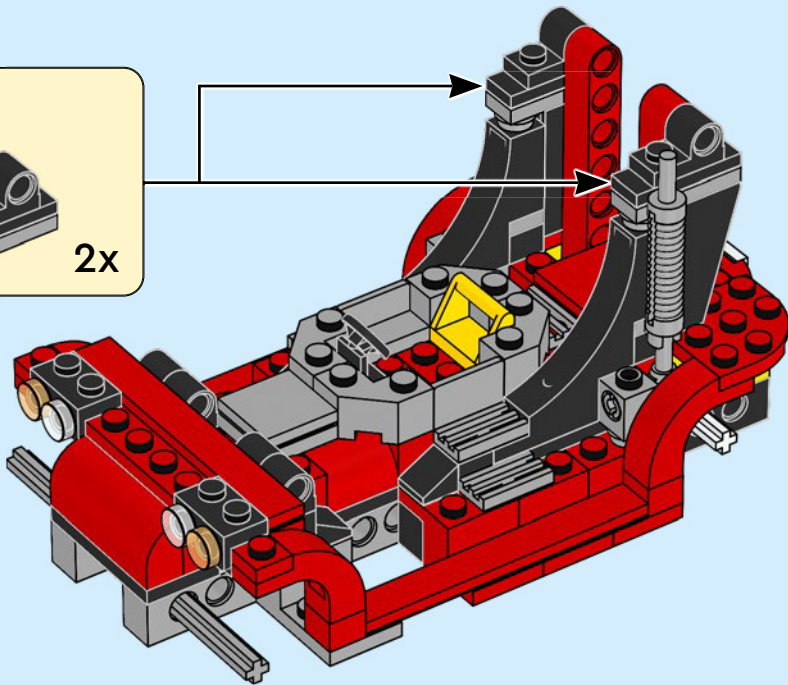
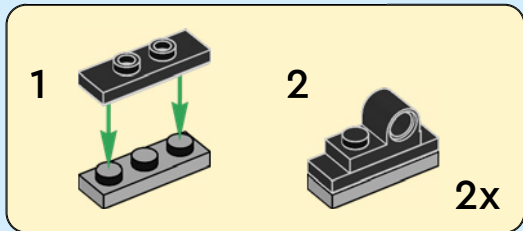
2x

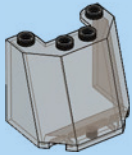
42





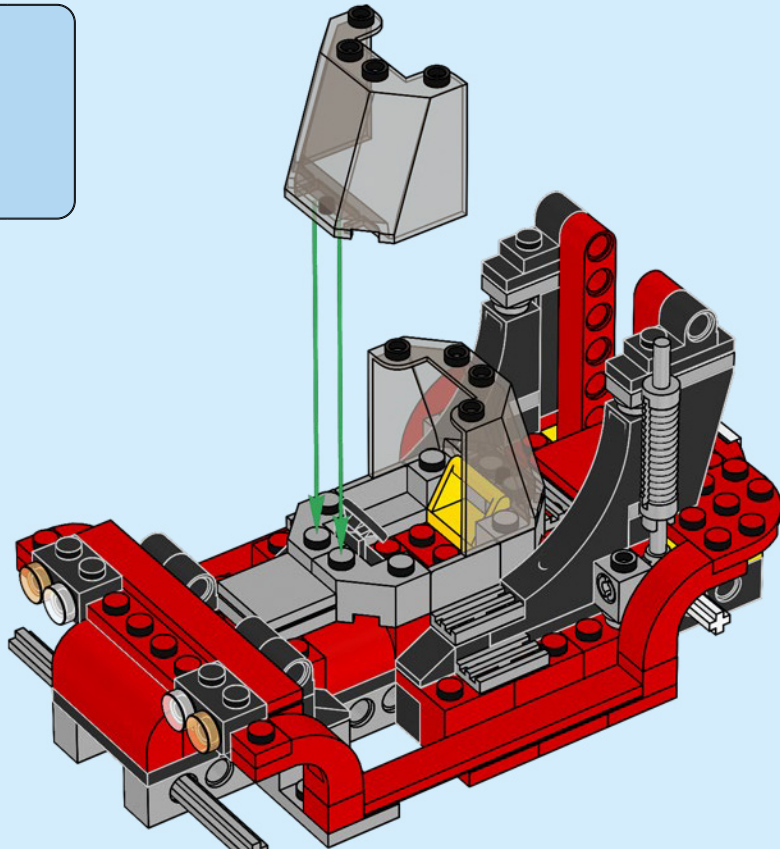
43

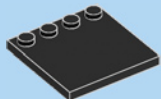




2x

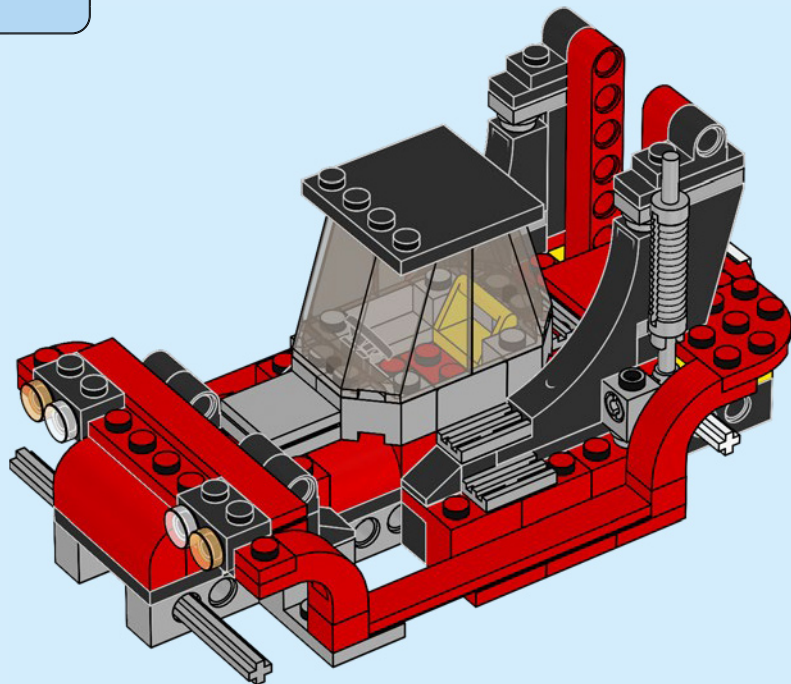
44





1x

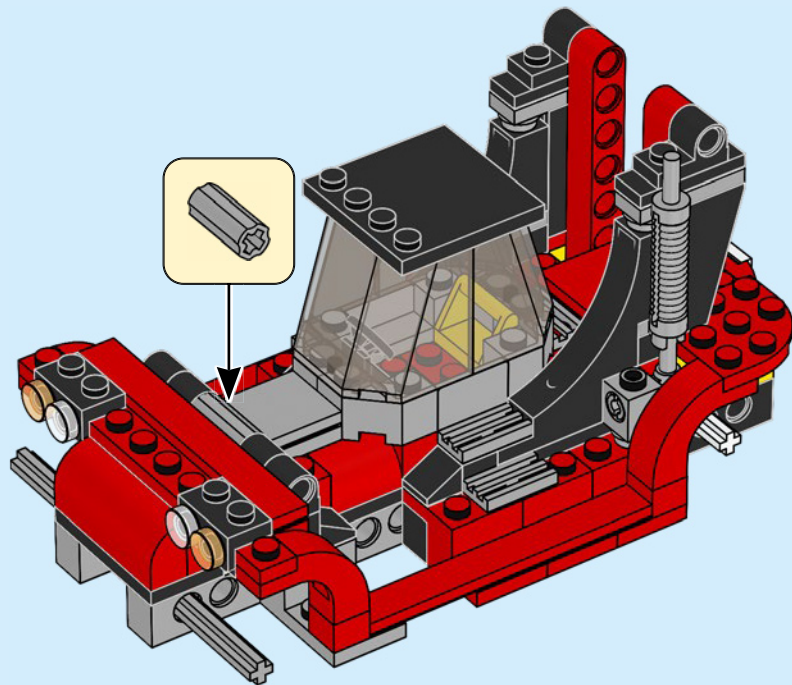
45

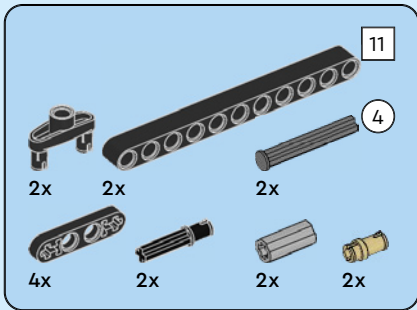
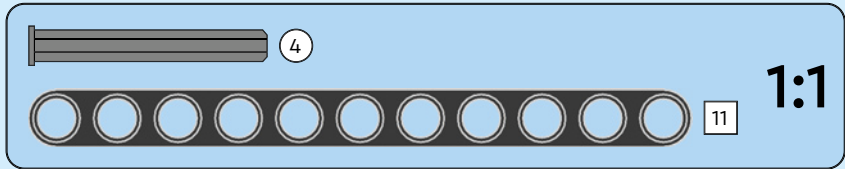
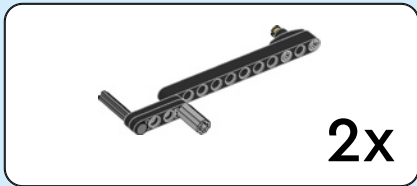




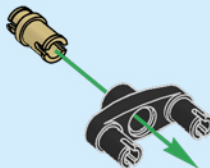
1x

46

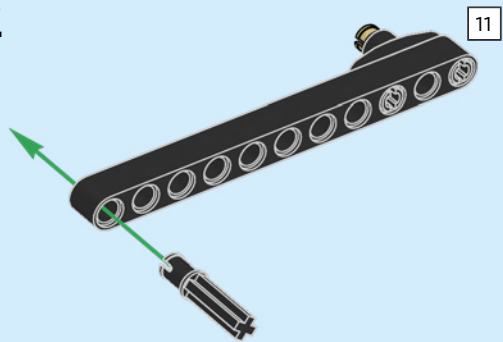




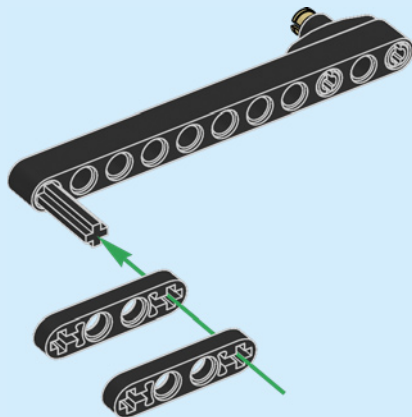
1



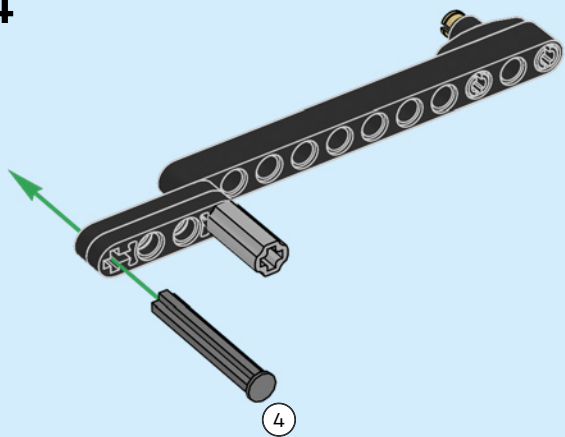
2



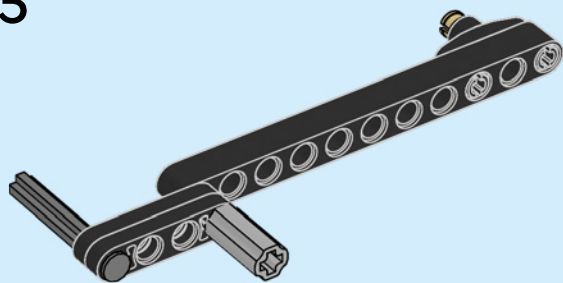
3



4

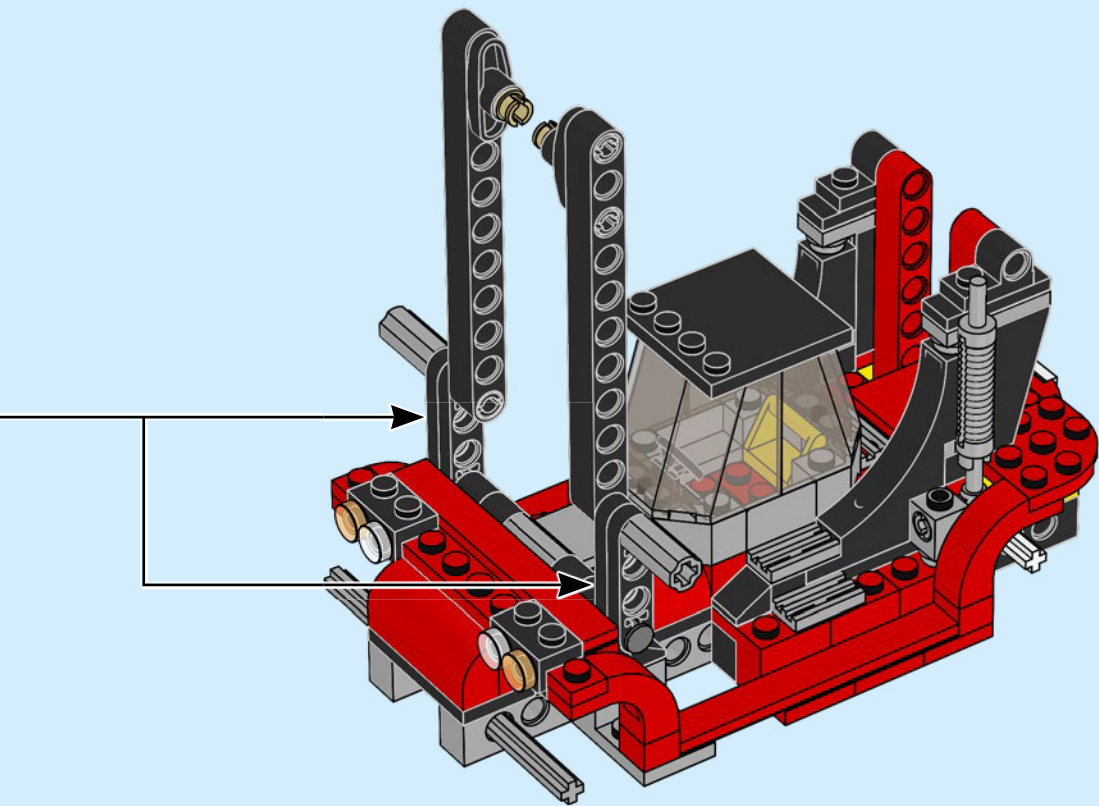


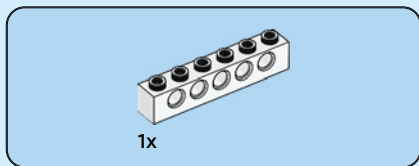
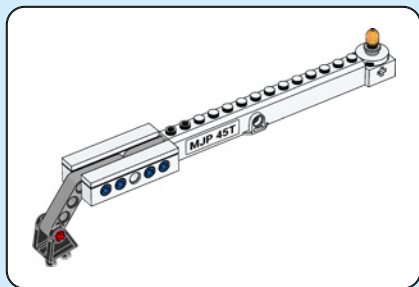
5



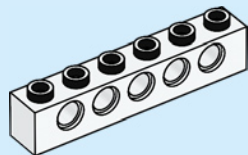
2x





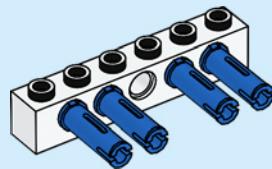


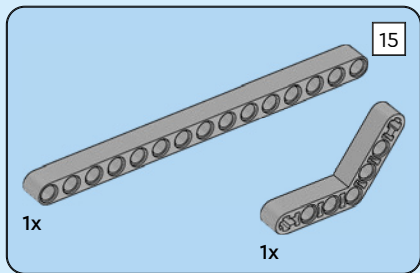
48



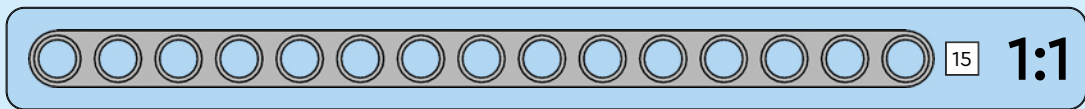
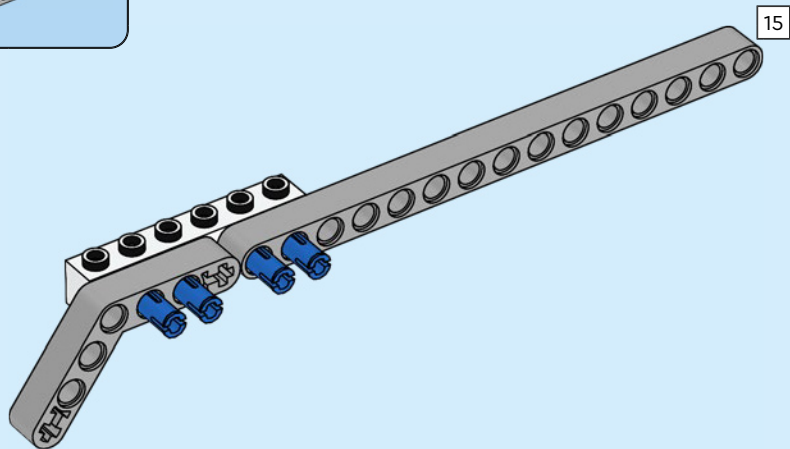
4x

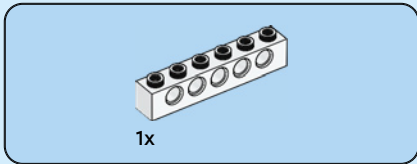
49



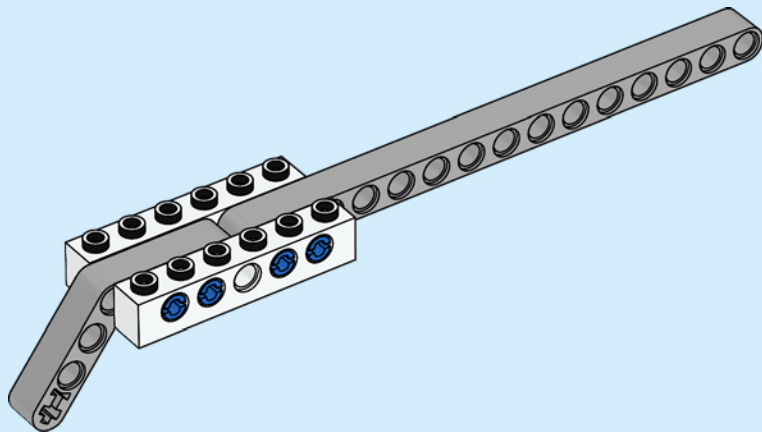


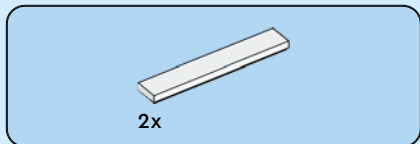
50



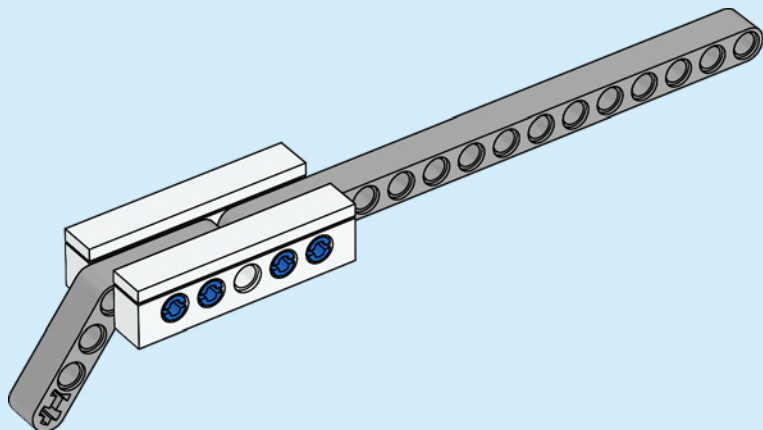


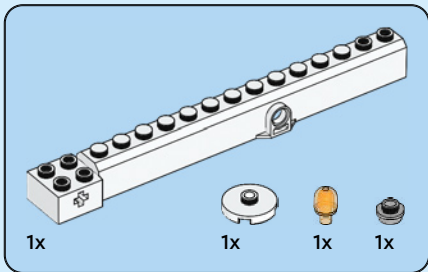
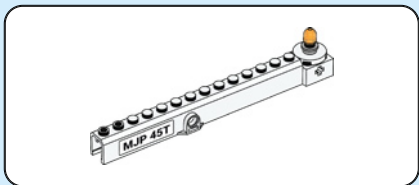
51





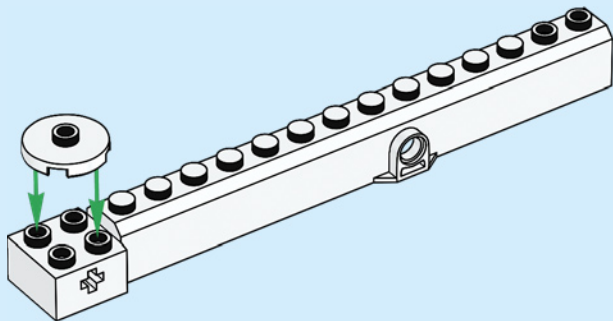
52



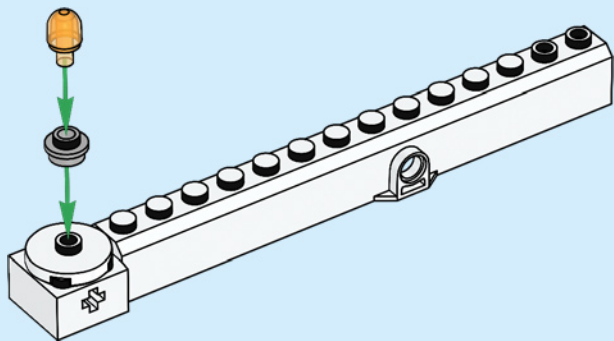


53

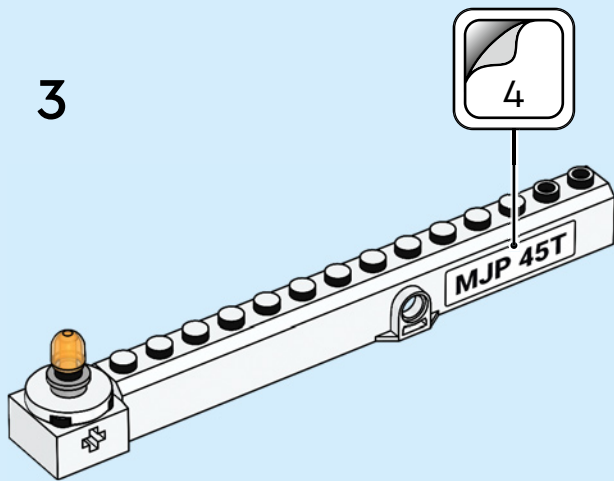
1



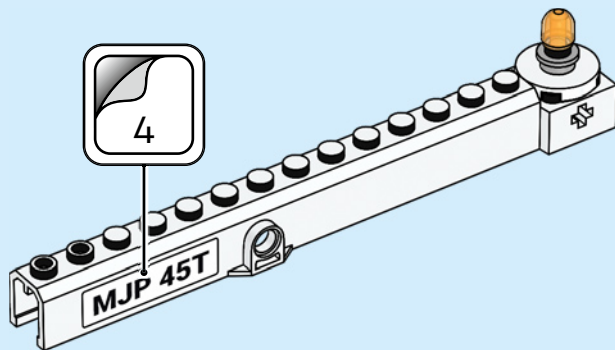
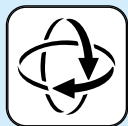
2

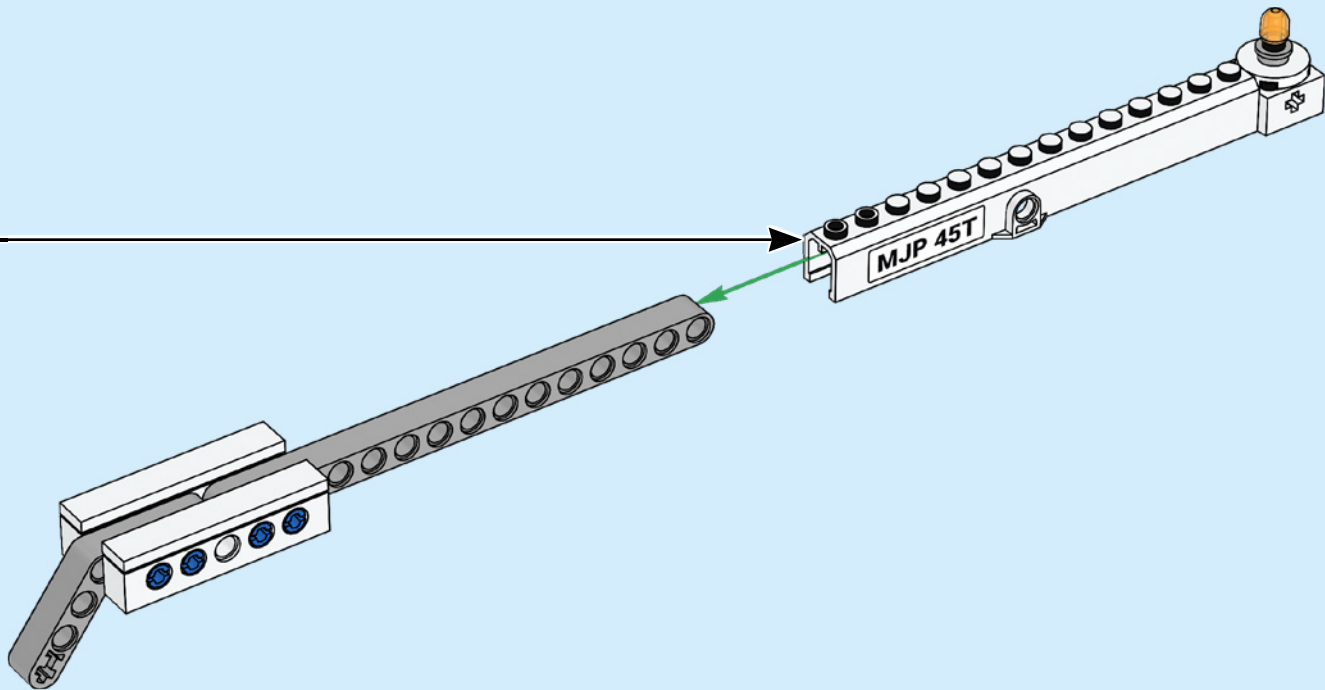


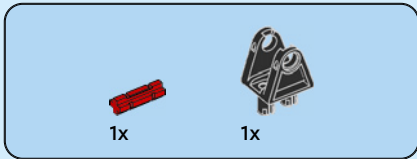
3



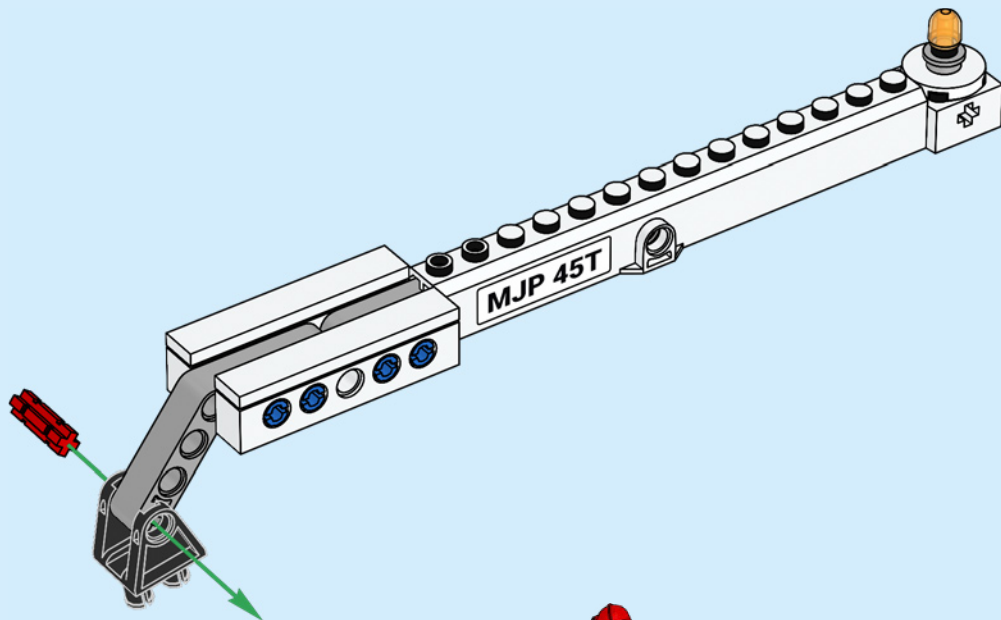
4



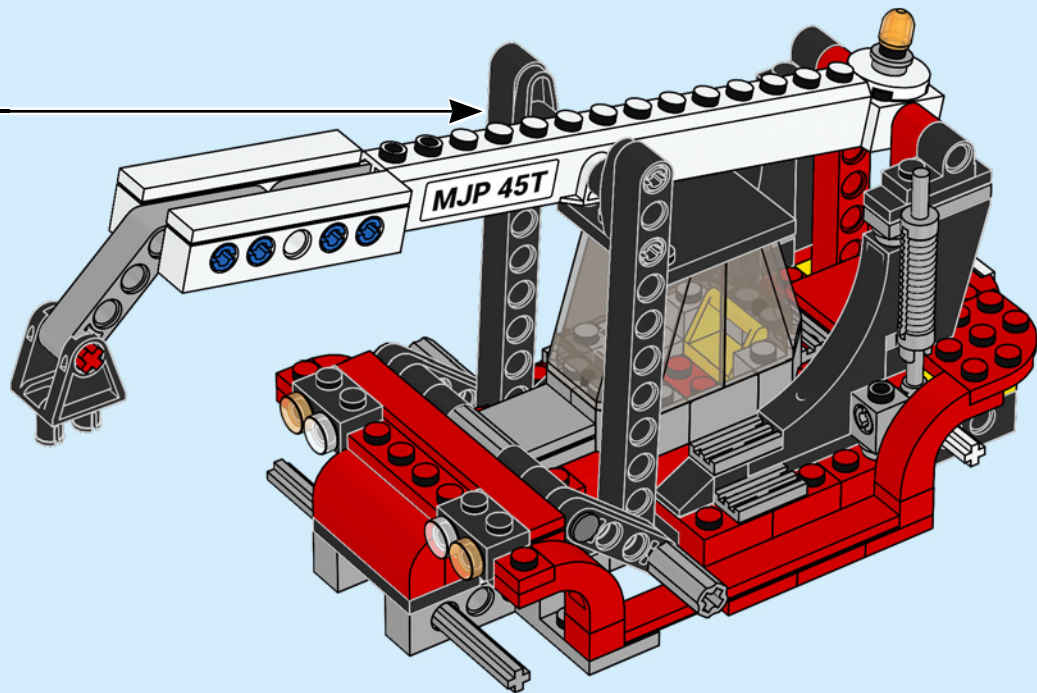


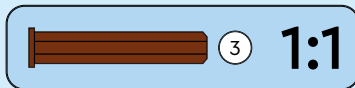
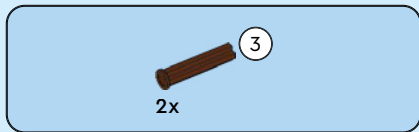


54

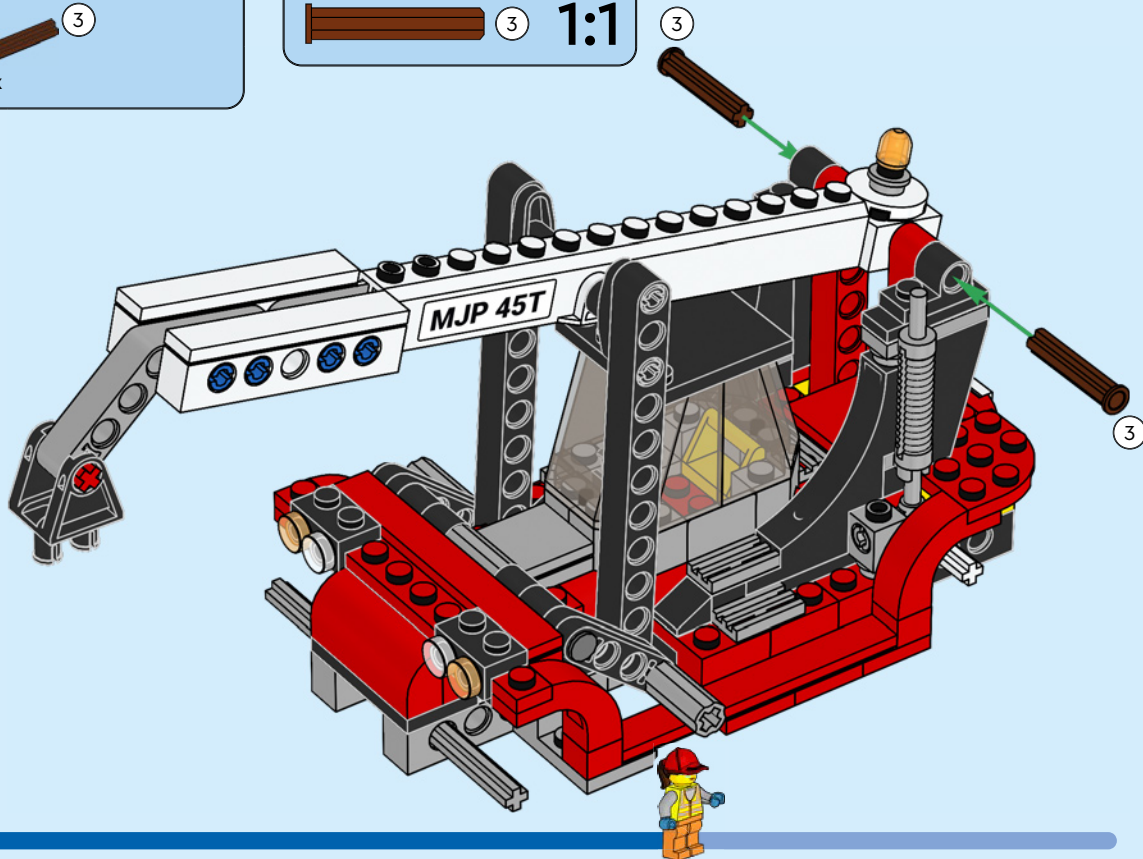


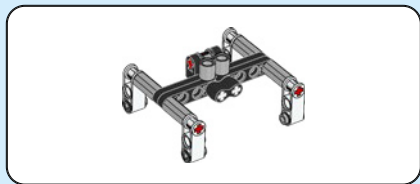
55



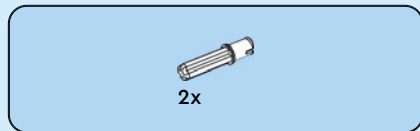


56

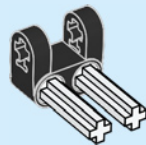




57



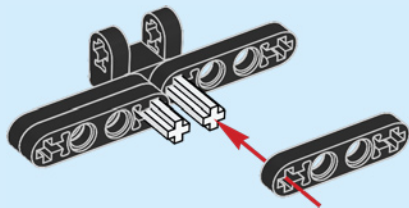
58





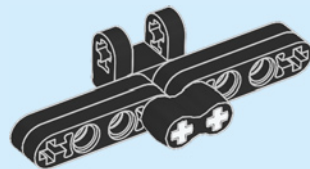
4x

59



1x

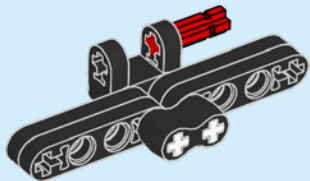
60





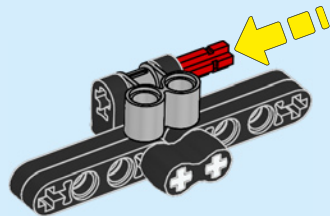
1x

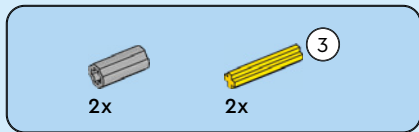
61



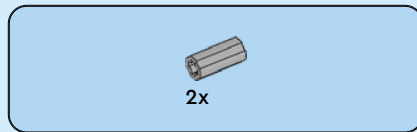
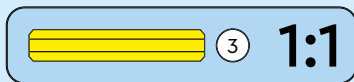
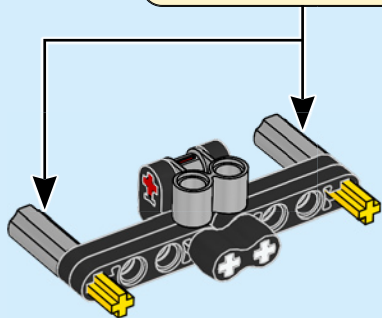
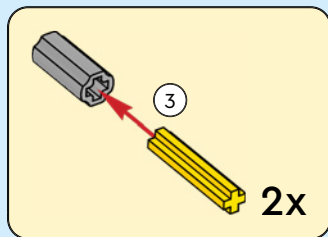
1x

62

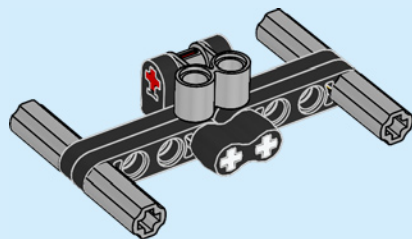




63



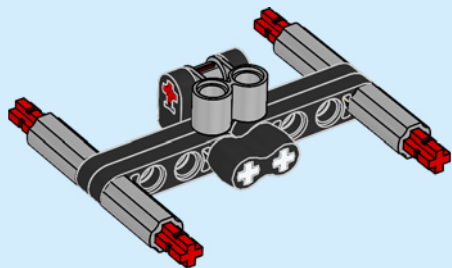
64





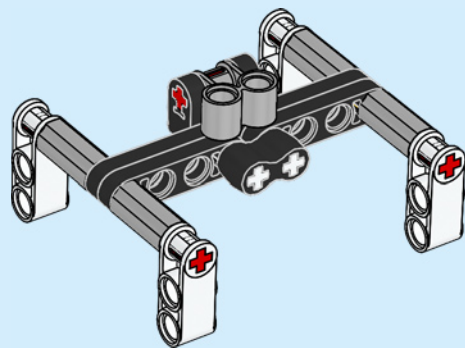
4x

65



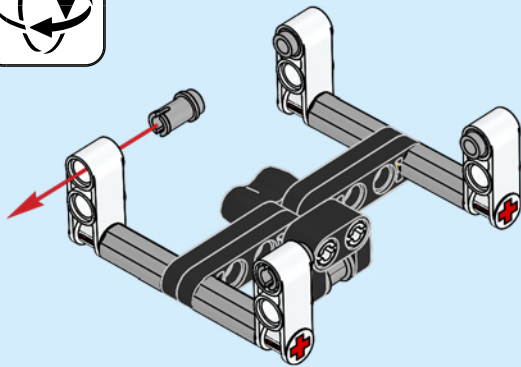
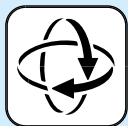
4x

66

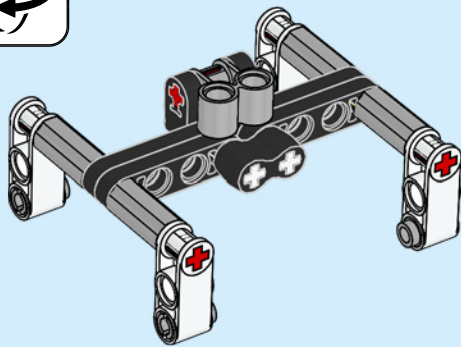




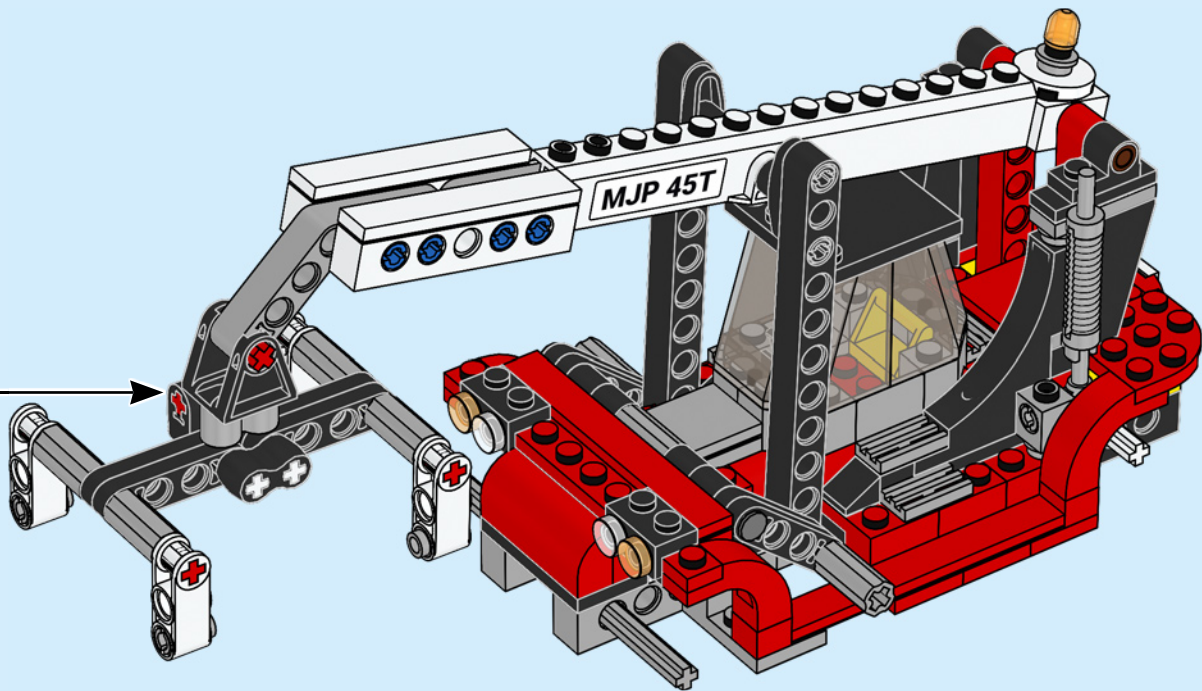
67

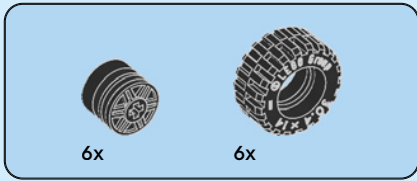


68

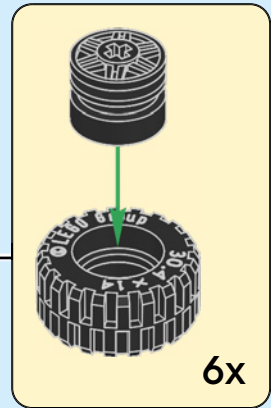
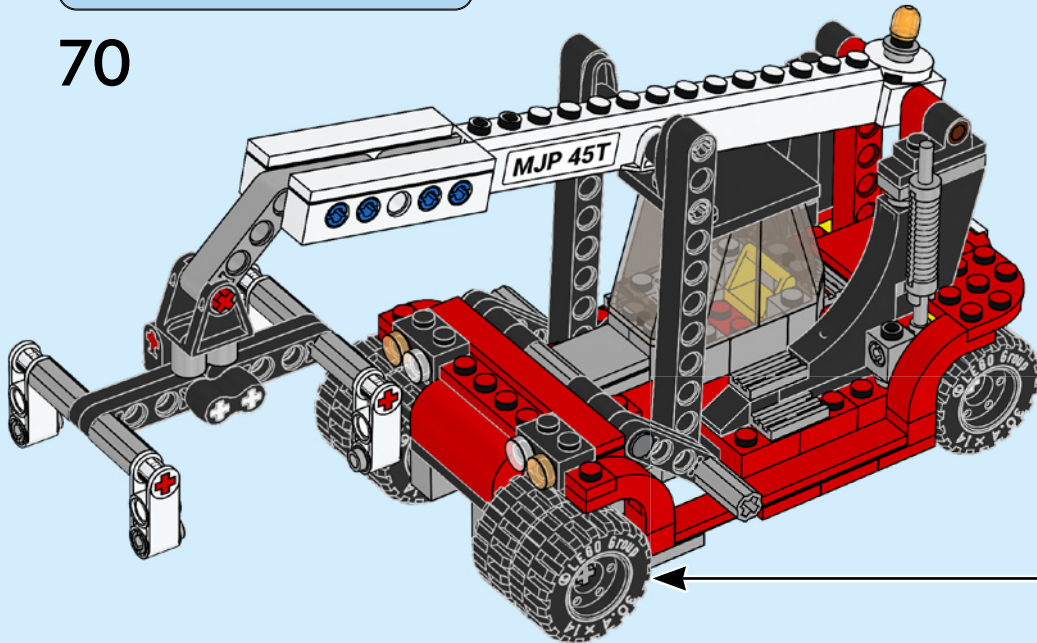


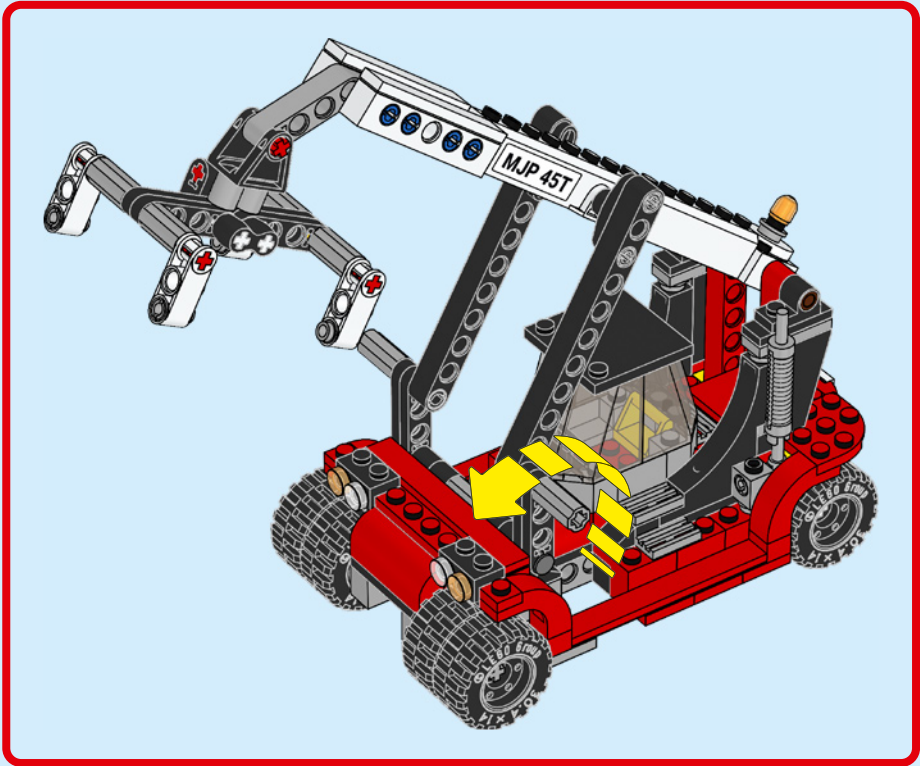
69

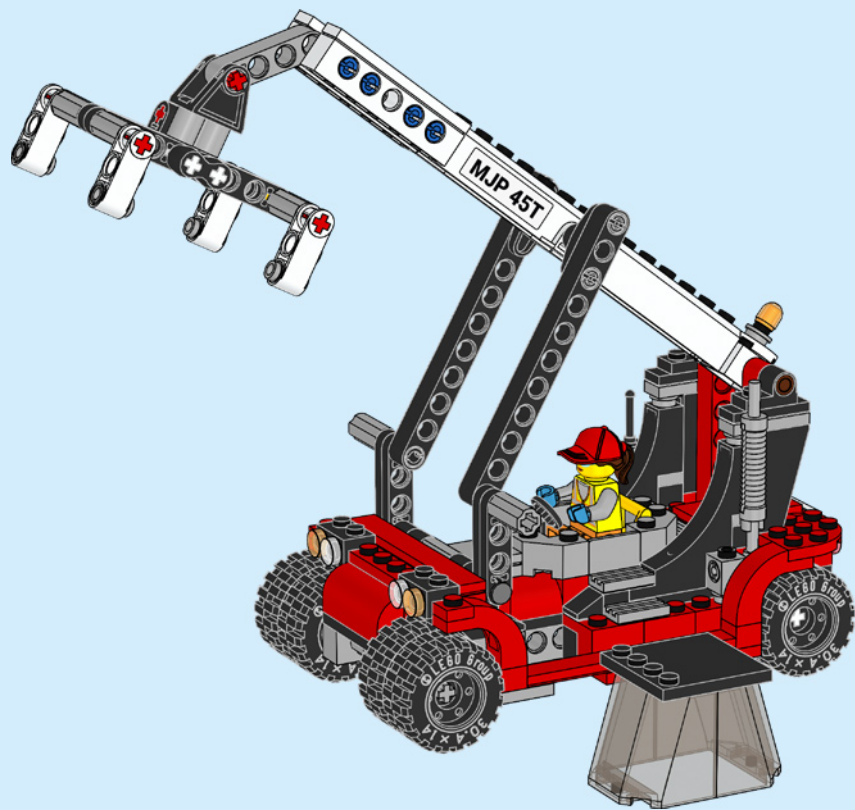


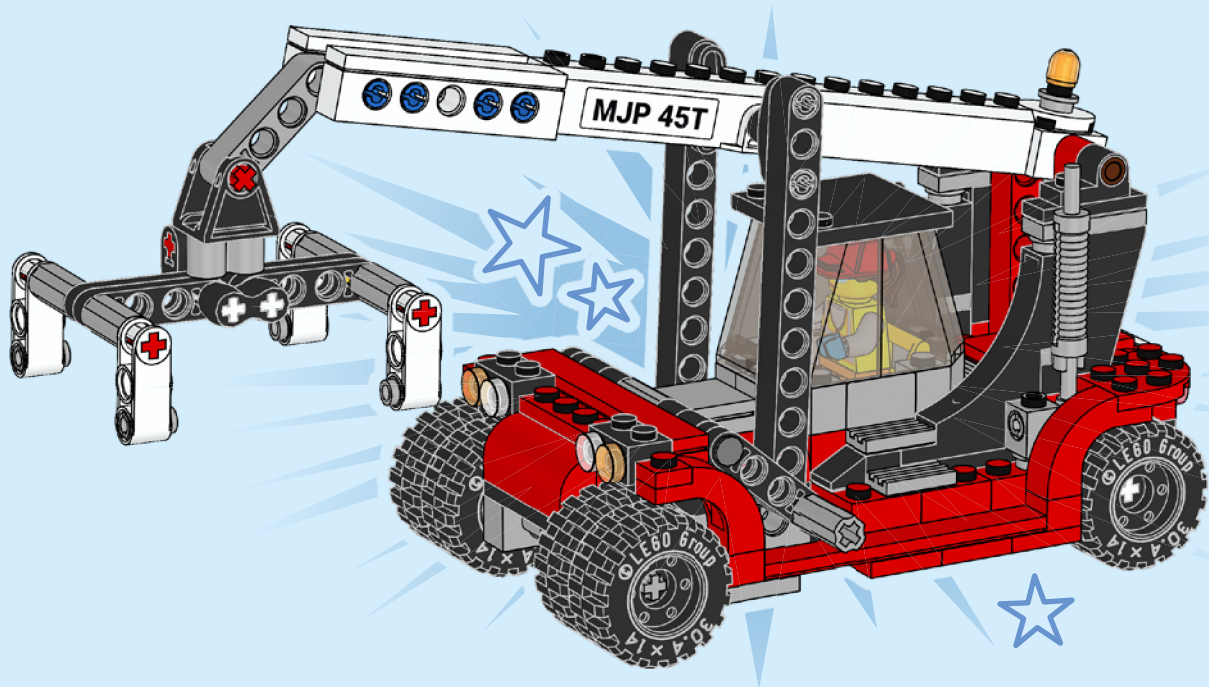


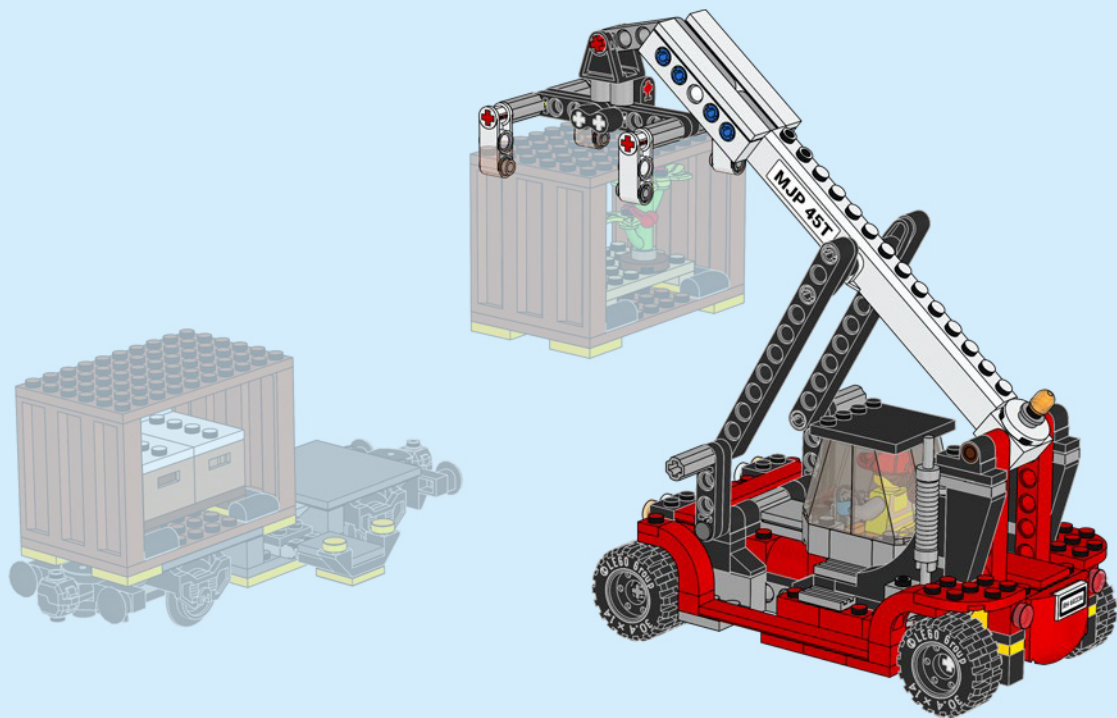
70













Rebuild
the
world™



LEGO and the LEGO logo are trademarks of the/son des marques de commerce du/son marcas registradas de LEGO Group. ©2022 The LEGO Group. 6424296
The Bluetooth® word mark and logos are registered trademarks owned by Bluetooth SIG, Inc. and any use of such marks by the LEGO Group is under license. Other trademarks and trade names are those of their respective owners.