



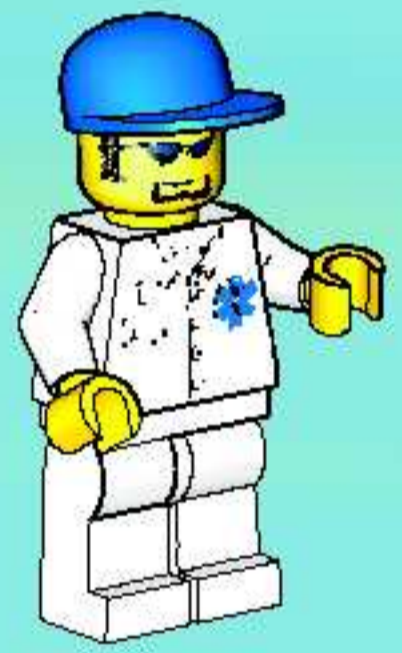
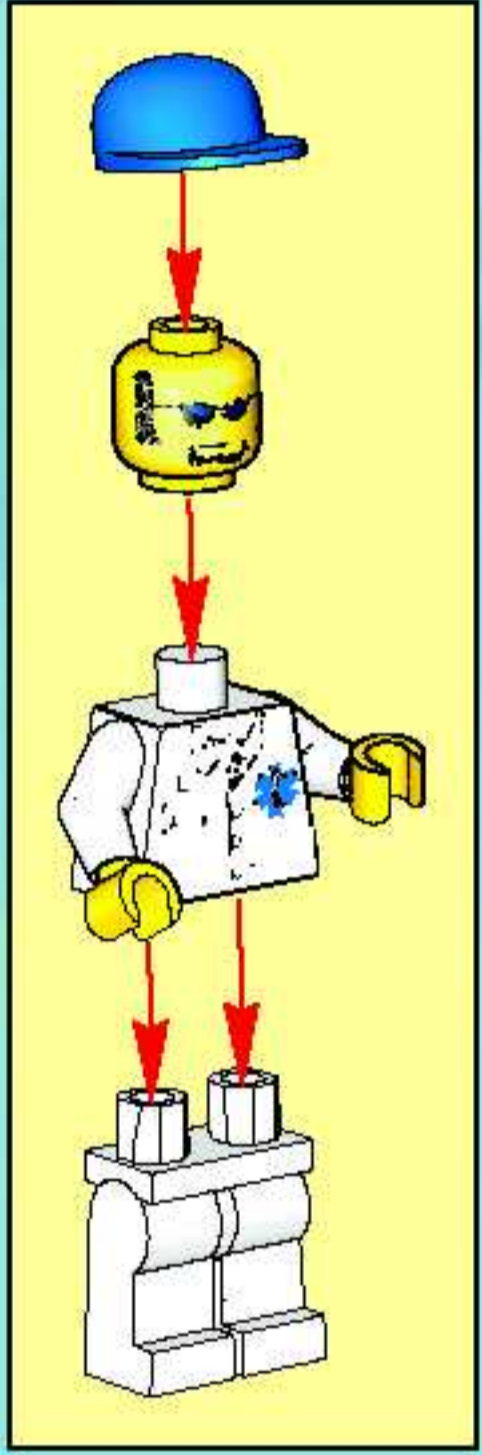
CITY

5-12
7892

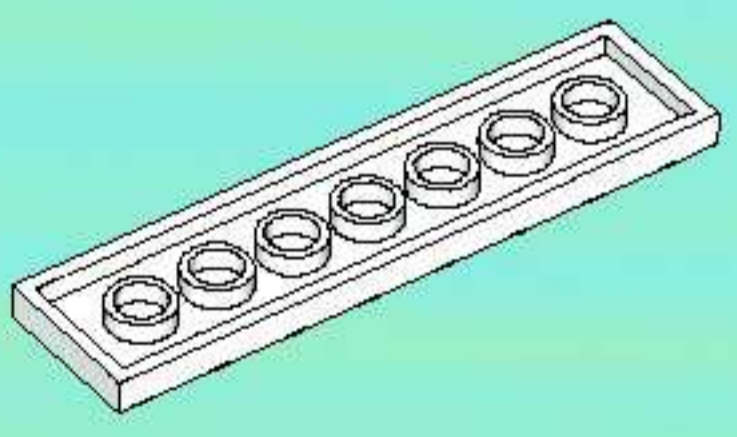


1

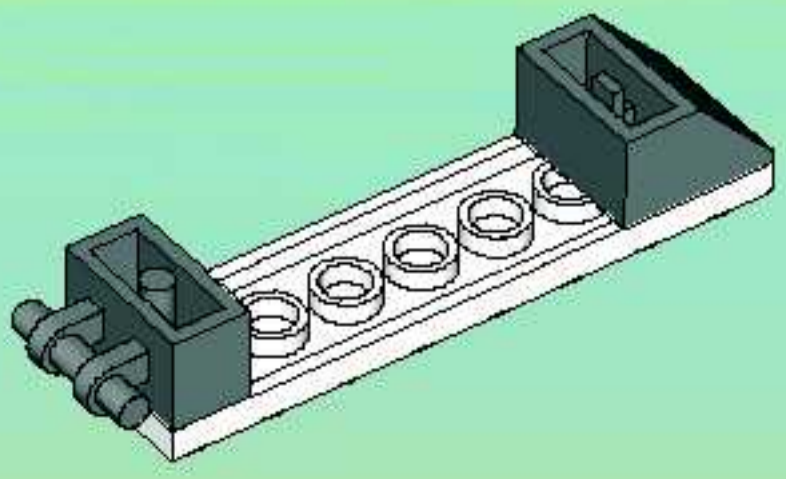
4292959



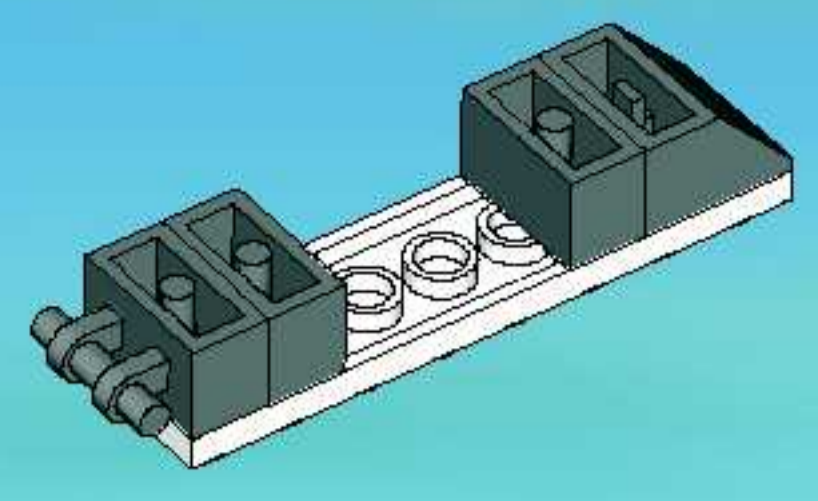
1



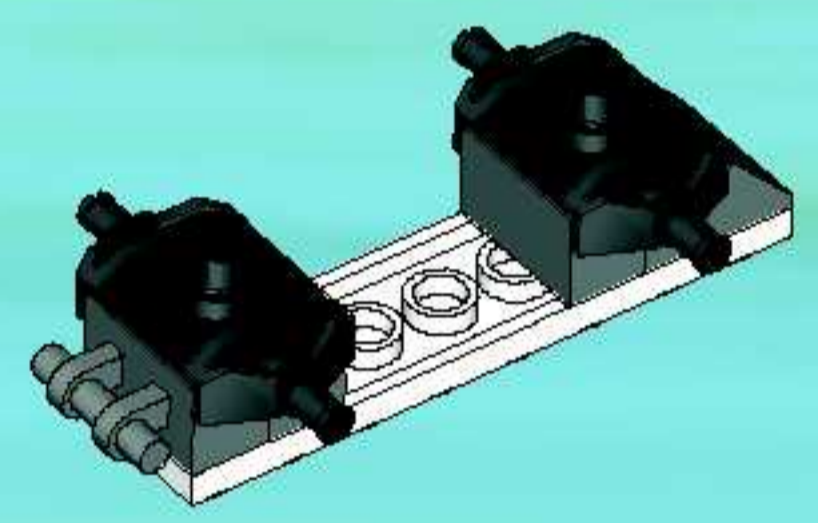
2



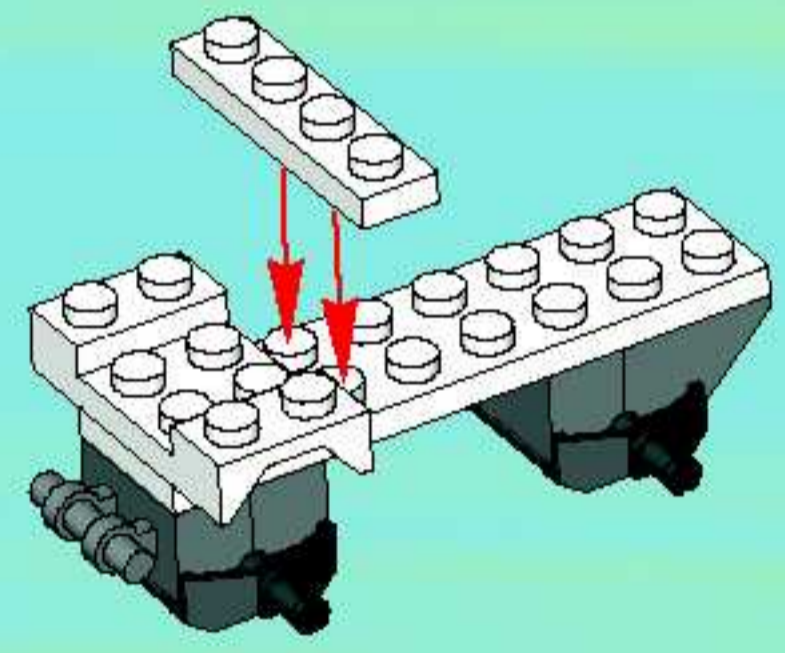
3



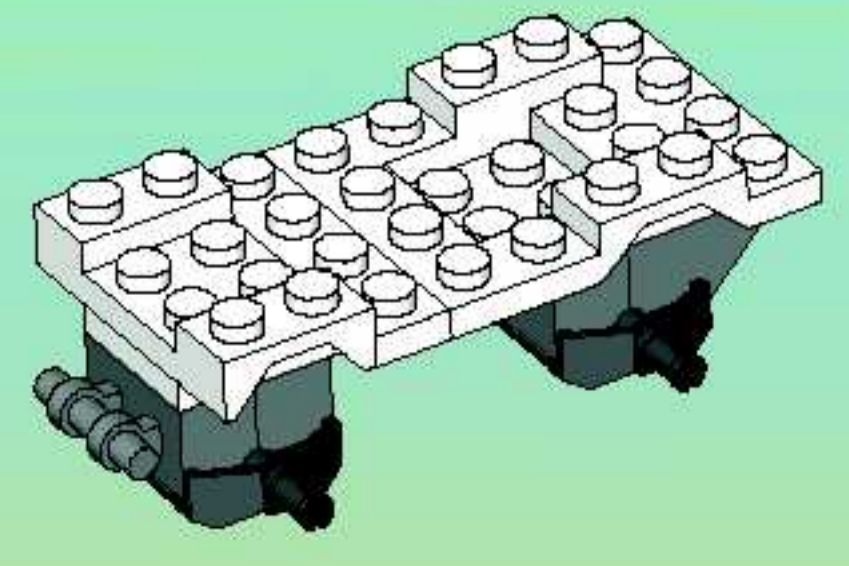
4



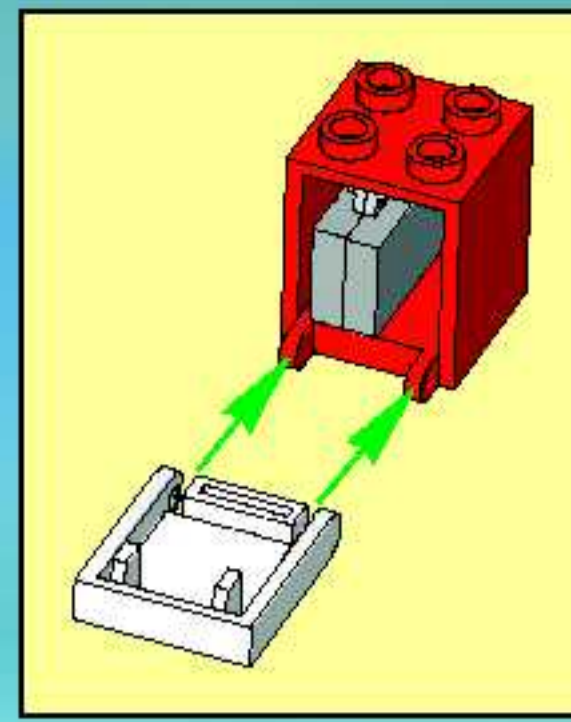
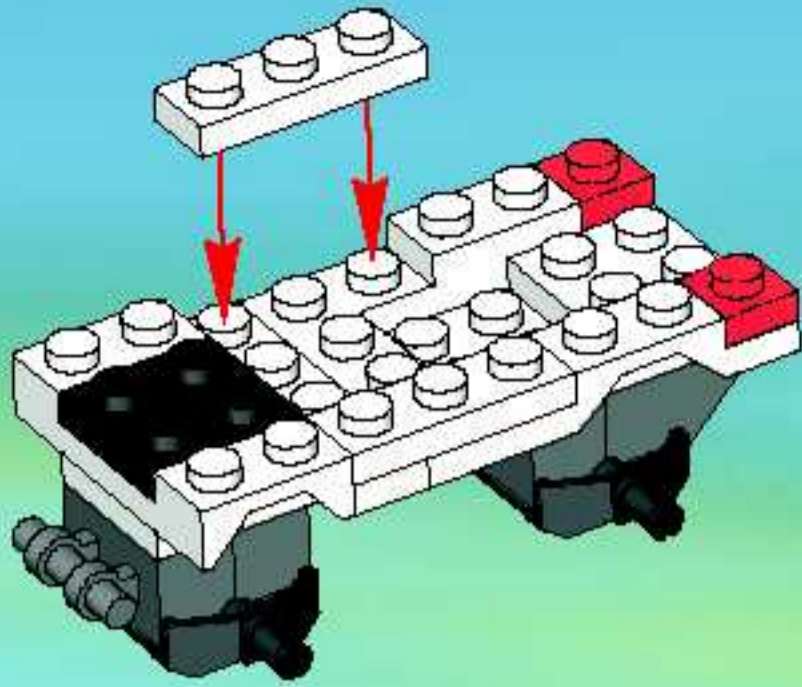
5



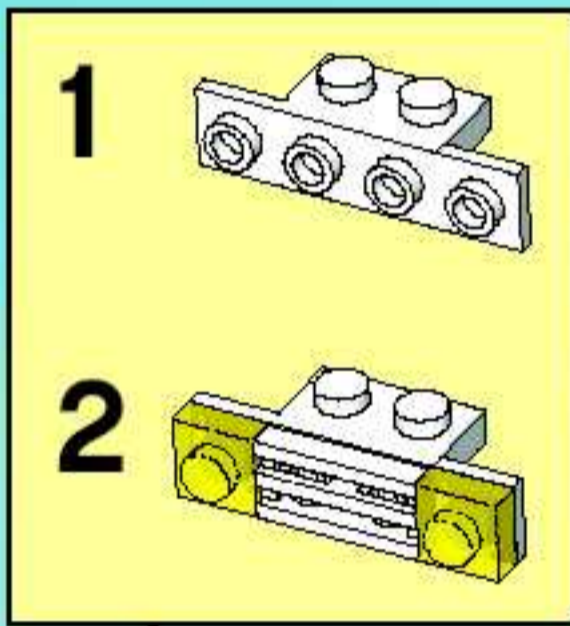
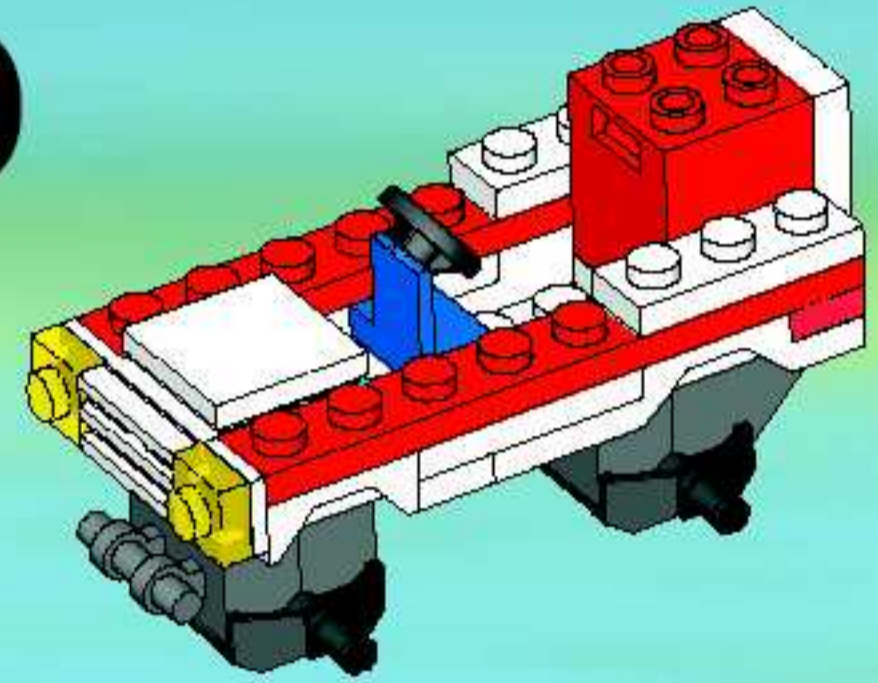
6



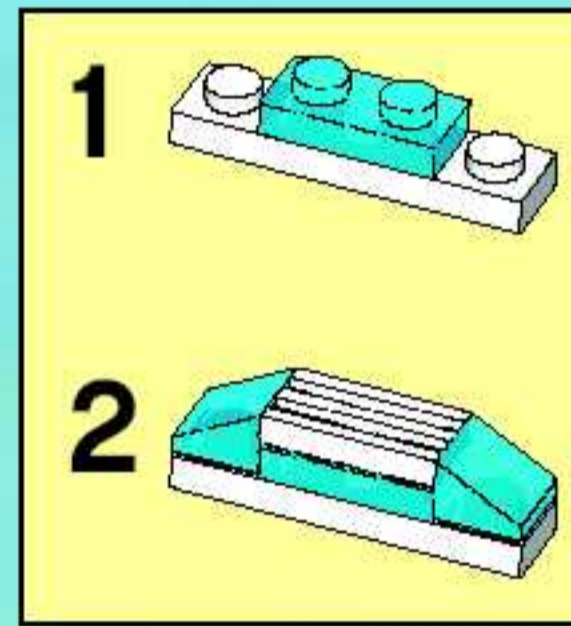
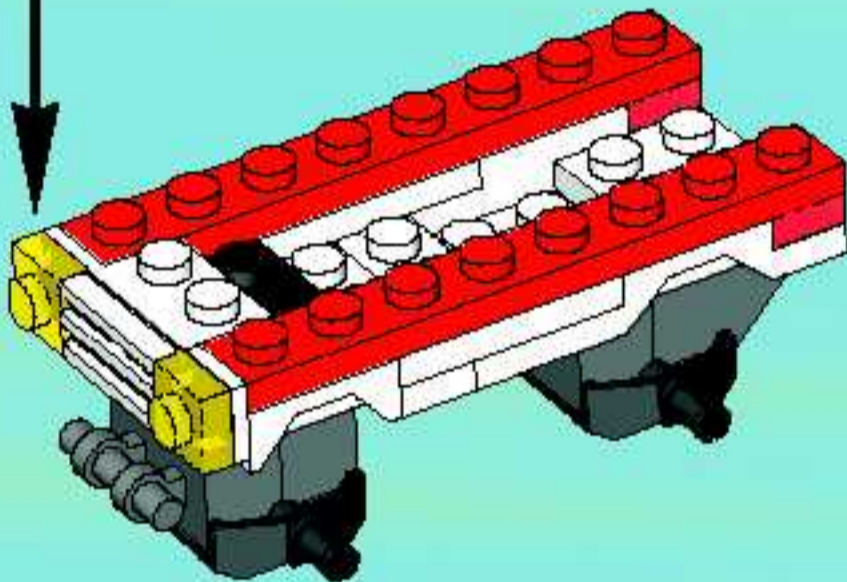
7



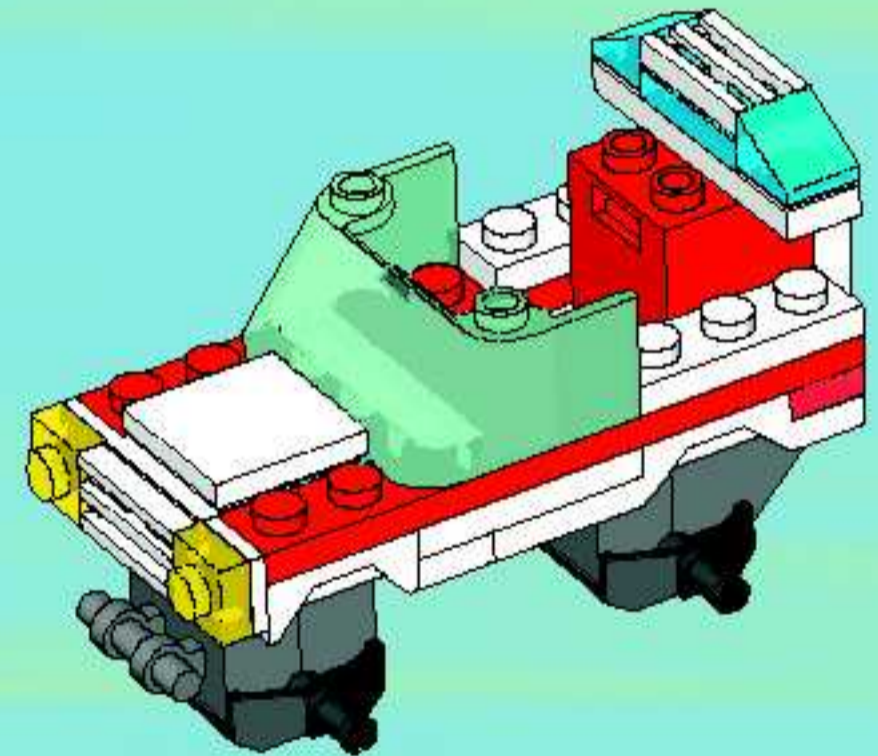
10



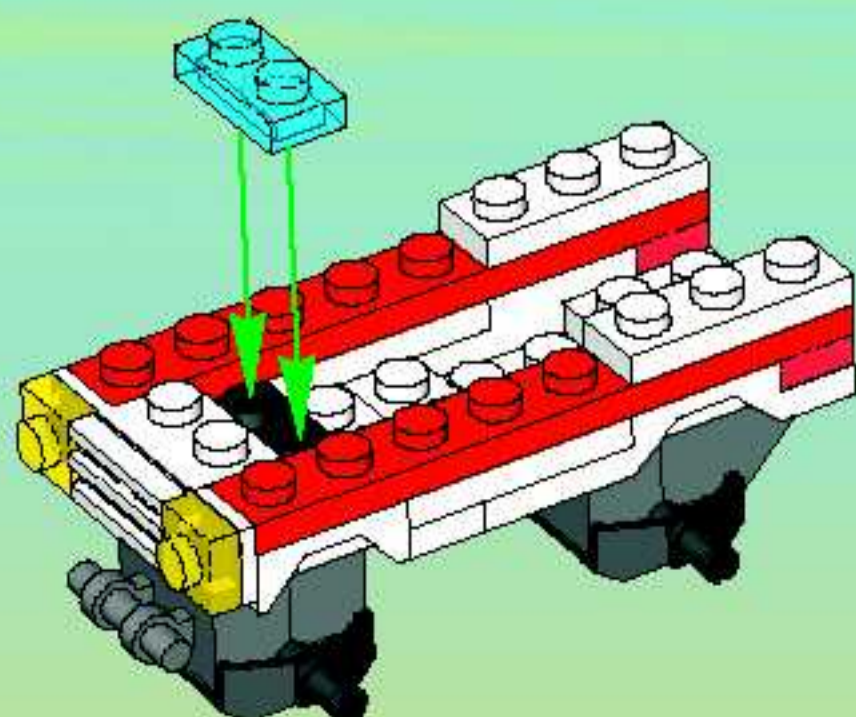
8



11



9



12

